

# INSTALLATION INSTRUCTIONS

WALLMOUNT

MODEL: LS201LED Hakea, LS121LED Cassia, LS321LED Pagoda, LS321-2LED Double Pagoda, LS134LED Medina  
INPUT VOLTAGE: 12-24 V DC or 12-15 V AC



## LS201LED Hakea, LS121LED Cassia, LS321LED Pagoda, LS321-2LED Double Pagoda, LS134LED Medina

**IP65**

**Warranty void if not installed per instructions and local electrical code**

Note: Luminaire uses intelligent driver. Always leave on for 20 seconds unless programing.

### WARNING

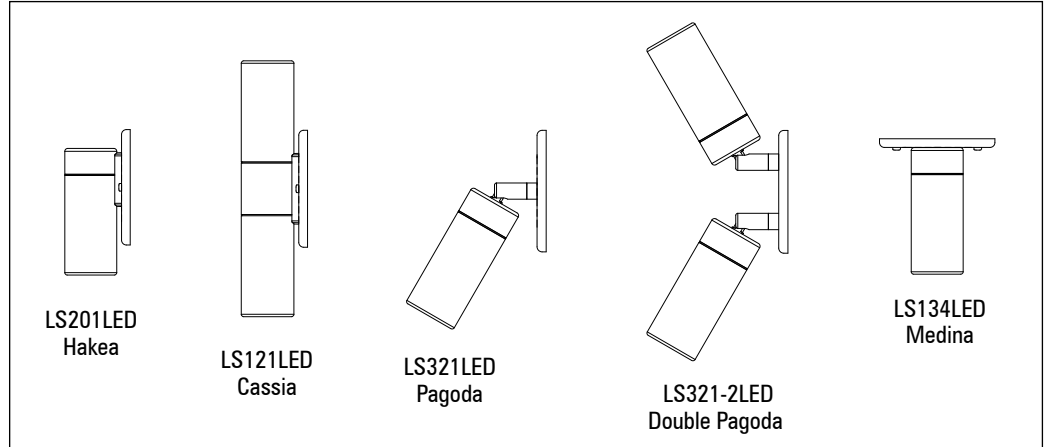
It is strongly recommended to use Lumascape transformer

Opening luminaire will void warranty

Never use electronic AC transformers with LED luminaires

Luminaire NOT hot swappable

Install in accordance with National Electric Code, ANSI/NFPA 70 or the Canadian Electrical Code, Part I (CEC), CSA C22.1



**Luminaire is not hot swappable. Power supply must be isolated prior to connection or disconnection of luminaire cables. Failure to do so will result in damage to luminaire components.**

1. Cut factory attached cord to a suitable length, based on required length for future servicing.
2. Strip wire to expose copper to a length suitable for the wiring device used. Note: For dimmable installations, all 4 wires are required. For non-dimming installations, only 2 wires are required, with the dimming wires requiring isolation. For information on color designation, refer 'Wiring Polarity' table, in this installation instruction.
3. **OPTIONAL STEP:** If the luminaire is supplied with a junction box located power supply, install the power supply in the junction box in accordance with local wiring rules, ensuring proper ground terminations on the junction box and Universal Mounting Ring.
4. Screw the universal mounting ring onto the junction box.
5. Pull the branch circuit wiring out of the junction box, through the universal mounting ring and the foam seal (See Figure A for the order of assembly).
6. Connect the wires after consulting the 'Wiring Polarity' table, ensuring the low voltage wiring and dimming signal wiring are connected correctly. For non-dimming applications, ensure the dimming wires are properly isolated.
7. Ensuring proper ground terminations are made on the junction box and Universal Mounting Ring.
8. Feed any excess cord back into the junction box and screw luminaire onto universal mounting ring with screws provided. Make sure the foam seal is firmly in place between luminaire and universal mounting plate.
9. **IMPORTANT:** Energize circuit to test luminaire. Leave on for at least 20 seconds to ensure luminaire does not enter programming mode.

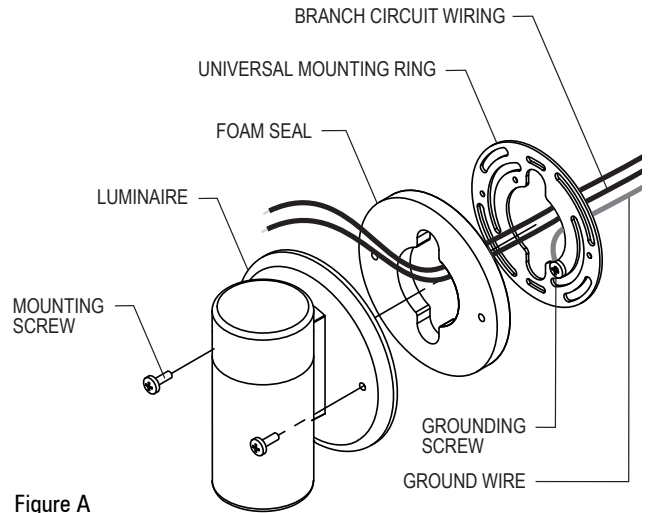


Figure A

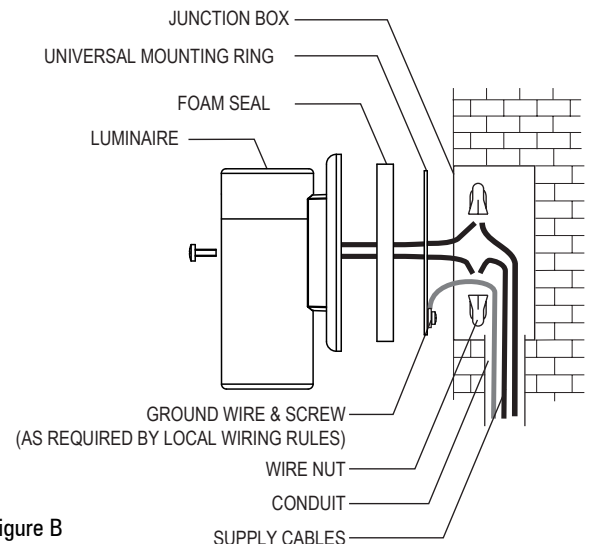


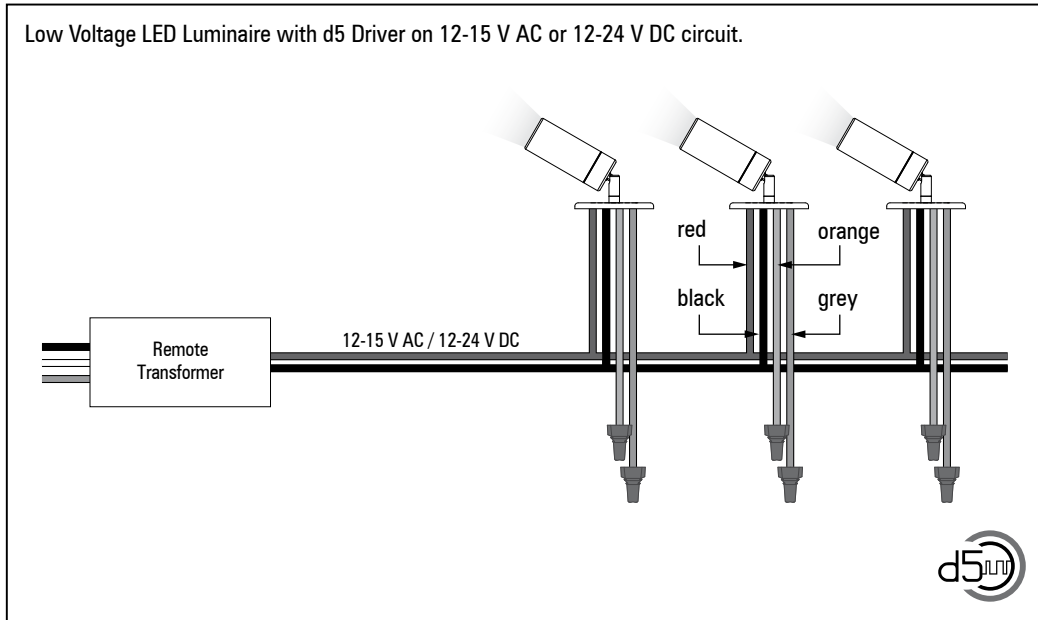
Figure B

Should you experience any difficulty, please contact Lumascape directly: phone (866) 695-5862 or email [info@lumascape.com](mailto:info@lumascape.com)

**IF IN DOUBT, PLEASE CALL**

[www.lumascape.com](http://www.lumascape.com)

## Wiring for Non-Dimming Installations



NOTE: The above diagram is intended to show electrical pathways between luminaires and ancillary devices. This diagram is not intended to show type or color of cord/wire, wire gauge or approved use of the cord/wire supplied with luminaires.

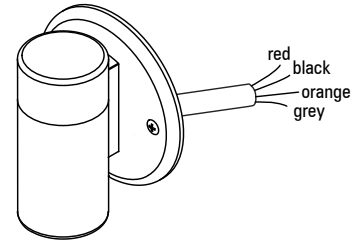
**Consult the luminaire-specific cutsheet or the factory for detailed specifications.**

**IMPORTANT:** For instructions on how to fine tune the brightness of the luminaire, refer to instruction sheet IN0059US "How to adjust the brightness for your d5 equipped luminaire". Please note, this capability only applies for luminaires not connected to any other control signal.

## Wiring Polarity

red	V+
black	V-
orange	DIM+ (connection optional)
grey	DIM- (connection optional)

**NOTE:** Connect dimming wires only if needed. Otherwise isolate.



Cord 20 gauge (0.5 mm<sup>2</sup>)

## Wiring for Dimming Configurations

Please refer to the luminaire cut sheet to review all possible dimmable wiring schemes and the required system components.

Should you experience any difficulty, please contact Lumascope directly: phone (866) 695-5862 or email [info@lumascope.com](mailto:info@lumascope.com)

**IF IN DOUBT, PLEASE CALL**

[www.lumascope.com](http://www.lumascope.com)