

LS121LED Cassia

Wallmount



The LS121LED is a compact, fixed position, direct/indirect accent used for grazing walls or other accent illumination tasks. The luminaire is constructed from either copper or powder coated aluminum, providing a variety of aesthetic options. This luminaire is ideal for use in modern architectural designs, and now features new Lumascope d5 driver technology for advanced dimming and control options.

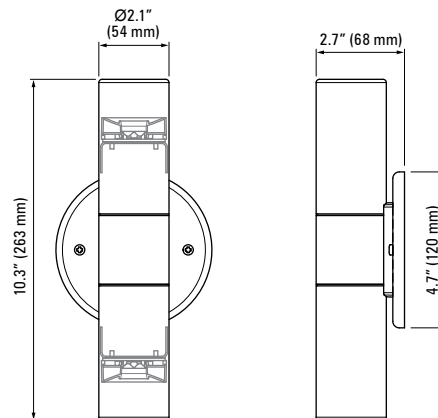
Specifications

Lamp Source	2 x 6 W LED <input type="checkbox"/> White (4 300 K typical) <input type="checkbox"/> Warm white (3 000 K typical) <input type="checkbox"/> Blue (470 nm)
Approved Use	Suitable for wet locations
Control Options	0-10 V On-site or factory-programmable brightness
IP Rating	IP65
Construction	Powder coated aluminum <input type="checkbox"/> Black <input type="checkbox"/> Silver Polished copper
Installation Type	Wall mount
Remote Transformers / Power Supplies	LSLED-15V20W277 J-box power supply for non-dimming applications <i>Order separately</i>
Ambient Operating Temperature	-4 °F to 104 (-20 °C to 40 °C)
Photometrics	Refer to www.lumascap.com

Any luminaire can become hot - take care with appropriate use and placement



LS121LED Cassia



LAMP				OPTICAL SYSTEM		INPUT VOLTAGE		FINISH		
Description	Wattage	Color	Code	Beam	Code	Description	Code	Description	Material	Code
LED	2 x 6 W	White (4 300 K typical)	12W4	Narrow	14°	PWM Dimmable Driver, 12-15 V, 60 Hz or 12-24 V DC ⁽¹⁾ For appropriate transformer.	23 ⁽¹⁾	Black, powder coated	Aluminum	CB
		Warm white (3 000 K typical)	12H6	Narrow Medium	25°			Silver, powder coated	Aluminum	CS
		Blue (470 nm)	12B4	Medium	30°			Polished	Copper	CU
				Wide	40°					

Wiring Diagram Reference

Input Voltage	LED Color	Control Type	Wiring Diagram
23	Single Color	Non Dim	2
23	Single Color	0-10 V	3,4

Photometrics

Photometric data is based on test results from a NIST traceable testing lab. IES data is available at www.lumescape.com.
 Note: No depreciation factor is applied to the data shown.

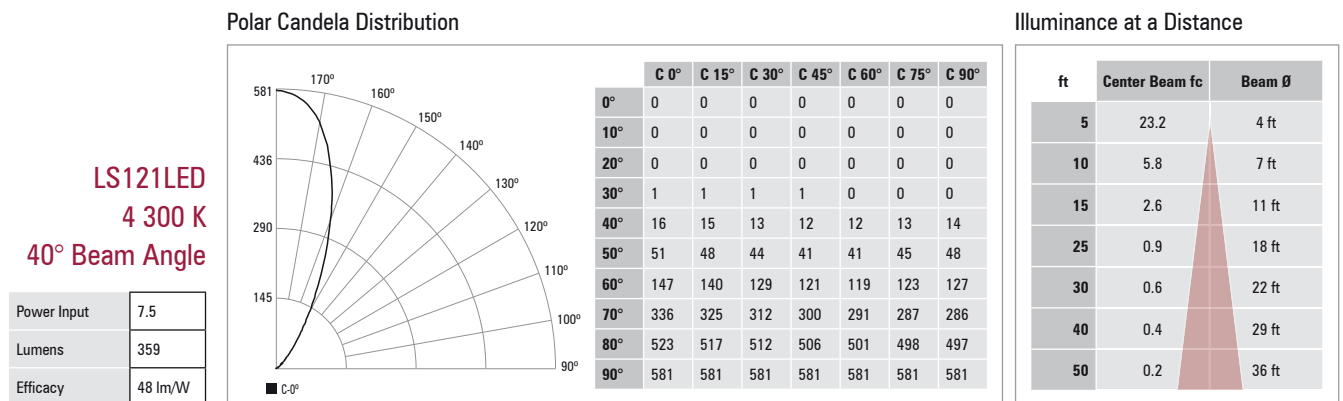
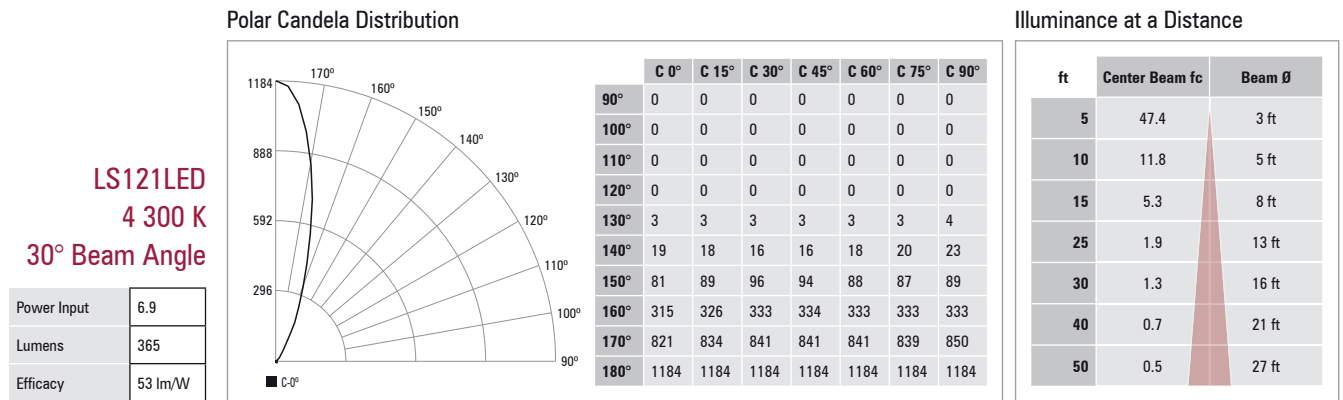
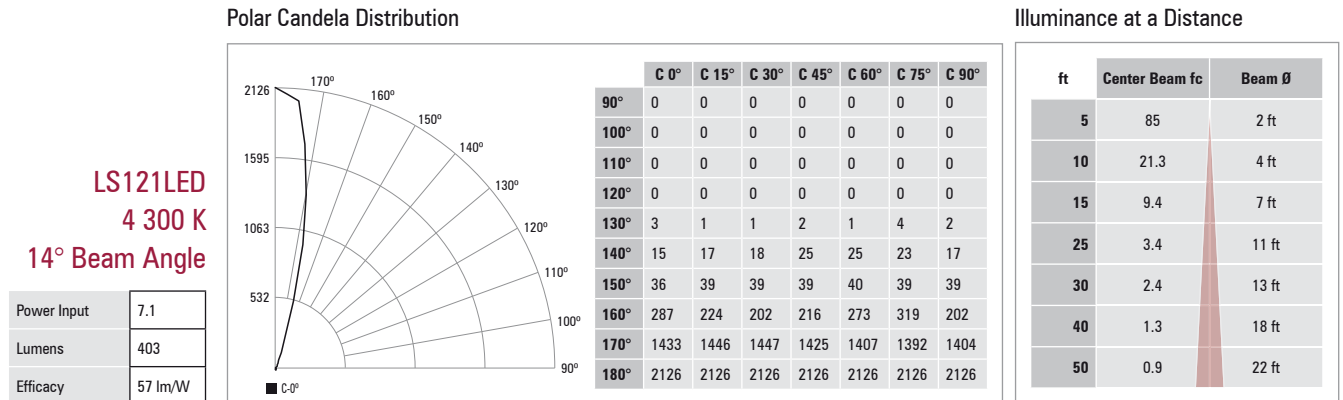


Diagram 2 - Non Dimming - Low Voltage LED Luminaire on a Low Voltage Circuit

Please note: for submersible lighting applications, the use of a GFCI may be required. Consult local wiring rules.

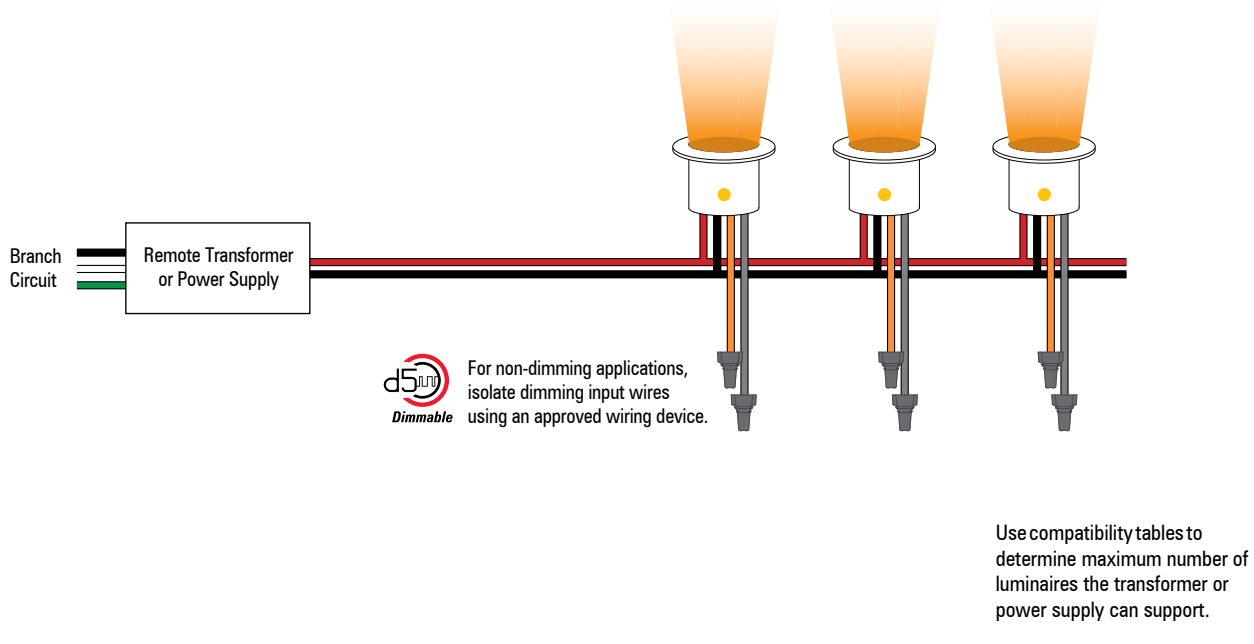
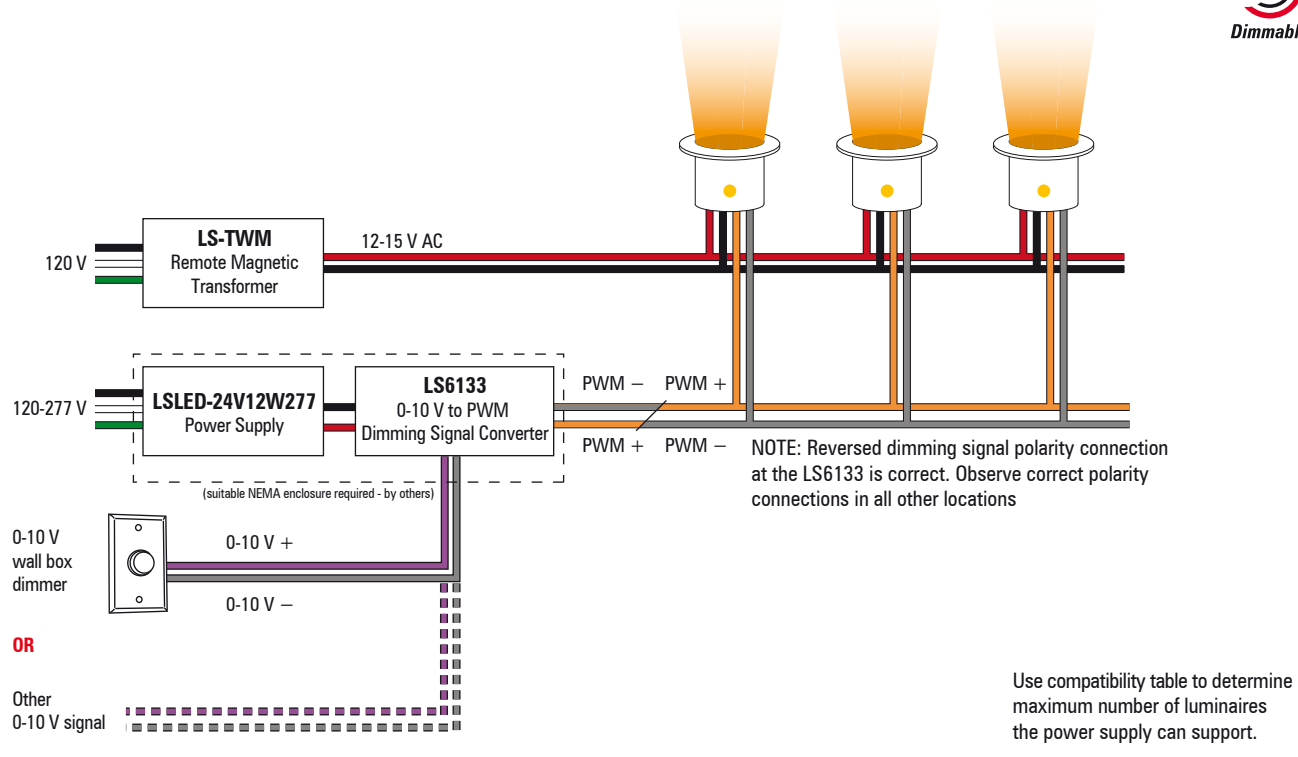


Diagram 3 - 0-10 V Dimming - Low Voltage LED Luminaire with d5 Driver on 12-15 V AC Circuit

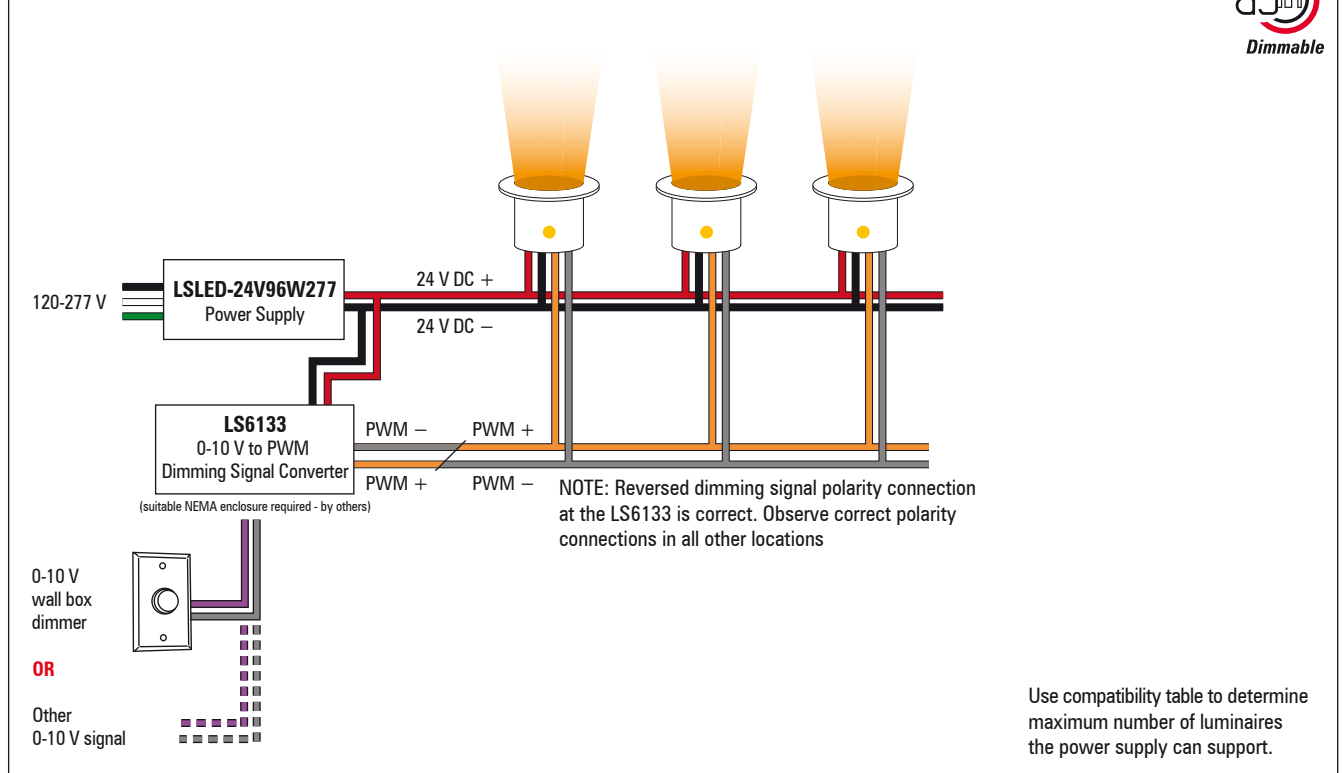


NOTE: The above diagrams are intended to show electrical pathways between luminaires and ancillary devices. These diagrams are not intended to show type or color of cord/wire, wire gauge or approved use of the cord/wire supplied with luminaires.

Consult the luminaire-specific cutsheet or the factory for detailed specifications.



Diagram 4 - 0-10 V Dimming - Low Voltage LED Luminaire with d5 Driver on 24 V DC Circuit



NOTE: The above diagrams are intended to show electrical pathways between luminaires and ancillary devices. These diagrams are not intended to show type or color of cord/wire, wire gauge or approved use of the cord/wire supplied with luminaires.

Consult the luminaire-specific cutsheet or the factory for detailed specifications.

Transformers and Power Supplies for Low Voltage LED Luminaires

The following list of transformers and power supplies are for use with luminaires specifically described as being compatible with either 12 V AC (wirewound only) transformers or with 12-24 V DC power supplies. Compatibility will be noted in the ordering code of the luminaire concerned, and will typically be referenced by Voltage Code '13' or '13-DIM'. In the case of '13-DIM' additional components may be required. Refer to the applicable wiring diagram/s.

Compatibility with each transformer or power supply is indicated by the value mentioned, representing the maximum number of luminaires that may be powered from each transformer or power supply. Please note, this does not take into consideration voltage drop or ampacity limits of the branch circuit. For assistance, please contact factory.

	Wall Mounted Landscape Lighting Transformers			Wall Mounted Transformers				Class 2 Power Supply	Direct Burial Transformer
	LS-TWM-1-300	LS-TWM-2-600	LS-TWM-3-900	LS-TWM-50	LS-TWM-100	LS-TWM-150	LS-TWM-250	LSLED-24V96W277	LS-TDB1-300
Input Voltage	120 V, 60 Hz	120 V, 60 Hz	120 V, 60 Hz	120 V, 60 Hz	120 V, 60 Hz	120 V, 60 Hz	120 V, 60 Hz	120-277 V, 50/60 Hz	120 V, 60 Hz
Output Voltage	12/13/14/15 V 60 Hz	12/13/14/15 V 60 Hz	12/13/14/15 V 60 Hz	12 V, 60 Hz	12 V, 60 Hz	12 V, 60 Hz	12 V, 60 Hz	24 V DC	12.5 V, 60 Hz
Wattage	1 x 300 W circuit	2 x 300 W circuits	3 x 300 W circuits	50 W	100 W	150 W	250 W	96 W	300 W
LS121LED	11	23	34	2	4	6	10	4	11

Transformers for Landscape Lighting Applications

LS-TWM-1-300

Magnetic transformer - wall mounted

Input	120 V
Rating	300 W
Output	12/13/14/15 V
Output Circuits	1
Protection	Electrostatic shield, magnetic breaker
Approvals	UL, CUL
NEMA Rating	3R
Construction	Stainless steel
Dimensions	H 17.6" (447 mm) W 6.8" (173 mm) D 6.19" (157 mm)
Weight	27 lb (12.3 kg)

LS-TWM-3-900

Magnetic transformer - wall mounted

Input	120 V
Rating	900 W
Output	12/13/14/15 V
Output Circuits	3
Protection	Electrostatic shield, magnetic breaker
Approvals	UL, CUL
NEMA Rating	3R
Construction	Stainless steel
Dimensions	H 18.6" (472 mm) W 7.8" (198 mm) D 6.19" (157 mm)
Weight	34 lb (15.5 kg)

LS-TWM-2-600

Magnetic transformer - wall mounted

Input	120 V
Rating	600 W
Output	12/13/14/15 V
Output Circuits	2
Protection	Electrostatic shield, magnetic breaker
Approvals	UL, CUL
NEMA Rating	3R
Construction	Stainless steel
Dimensions	H 17.6" (447 mm) W 6.8" (173 mm) D 6.19" (157 mm)
Weight	29 lb (13.2 kg)

LS-TDB1-300

Magnetic transformer - direct burial

Input	120 V
Rating	300 W
Output	12.5 V
Output Circuits	1
Protection	Circuit breaker
Approvals	ETL (US and Canada)
NEMA Rating	12
Construction	Reinforced composite
Dimensions	H 9" (229 mm) W 9" (229 mm) D 7" (178 mm)
Weight	8 lb (3.6 kg)

Class 2 LED Power Supplies

LSLED-24V96W277

Electronic DC power supply - wall mounted

Input	120-277 V, 50/60 Hz
Rating	96 W / 4 A
Output	24 V DC
Output Circuits	1
Approvals	CSA, CSA-US
Location	Wet location
Dimensions	H 12.32" (313 mm) W 2.54" (65 mm) D 1.67" (42 mm)
Weight	2 lb (0.9 kg)

LSLED-24V12W277

Electronic DC power supply - NEMA enclosure required (by others)

Input	120-277 V, 50/60 Hz
Rating	12 W / 0.5 A
Output	24 V DC
Output Circuits	1
Approvals	UL, CUL Recognized, Class 2
IP rating	IP66
Location	Wet location
Dimensions	H 3.35" (85 mm) W 1.42" (36 mm) D 0.91" (23 mm)
Weight	0.282 lb (0.1 kg)

Control Related Equipment

LS6133

0-10 V to PWM translator - NEMA enclosure required (by others)

Input	24 V DC
Rating	96 W max
Output	4 A max
Output Circuits	1
Approvals	UL, CUL Recognized, Class 2
IP Rating	IP66
Dimensions	H 5.2" (132 mm) W 1.3" (33 mm) D 1" (25 mm)
Weight	0.2 lb (0.1 kg)

LS67100

DMX to PWM translator - dry location only

Input	24 V DC
Rating	4 x 60 W max
Output	4 x 2.5 A max
Output Circuits	4
Approvals	UL, CUL
IP Rating	N/A
Dimensions	H 11.25" (286 mm) W 4.6" (117 mm) D 3.2" (82 mm)
Weight	0.5 lb (0.2 kg)