



LUMASCAPE INC
1300 Industrial Rd, Unit #19
San Carlos, CA 94070, USA
T (650) 595-5862
W www.lumascope.com
Free Call : (866) 695-5862

LUMASCAPE

INSTALLATION INSTRUCTIONS

UNDERWATER LUMINAIRE

MODEL: LS333ANS-2COB, LS333ANS-2LED

INPUT VOLTAGE: 30 V DC (LS333ANS-2COB)
12-15V AC, 24V DC (LS333ANS-2LED)



LS333ANS-2COB | LS333ANS-2LED

Warranty void if not installed per instructions and local electrical code

WARNING

Install in accordance with National Electric Code, ANSI/NFPA 70 or the Canadian Electrical Code, Part I (CEC), CSA C22.1



Except where the luminaire is installed in an area of the swimming pool that is not used for swimming and the lens is adequately guarded to keep any person from contacting it, the luminaire shall be installed in or on a wall of the pool, with the top lens opening not less than 18" below the normal water level of the pool.

For use of a listed swimming pool or spa transformer and, if the conduit is so connected without using a swimming pool junction box, the transformer shall be marked as suitable for direct conduit connection to the forming shell of a wet niche luminaire.

Use only 3/4" non-metallic conduit. Conduit entry must be oriented upwards facing. Always use a pool and spa rated junction box between luminaires and power unit (unless power unit is specifically listed for use without such junction box). Creation of an airlock is critical to ensure water cannot drain out through the conduit.

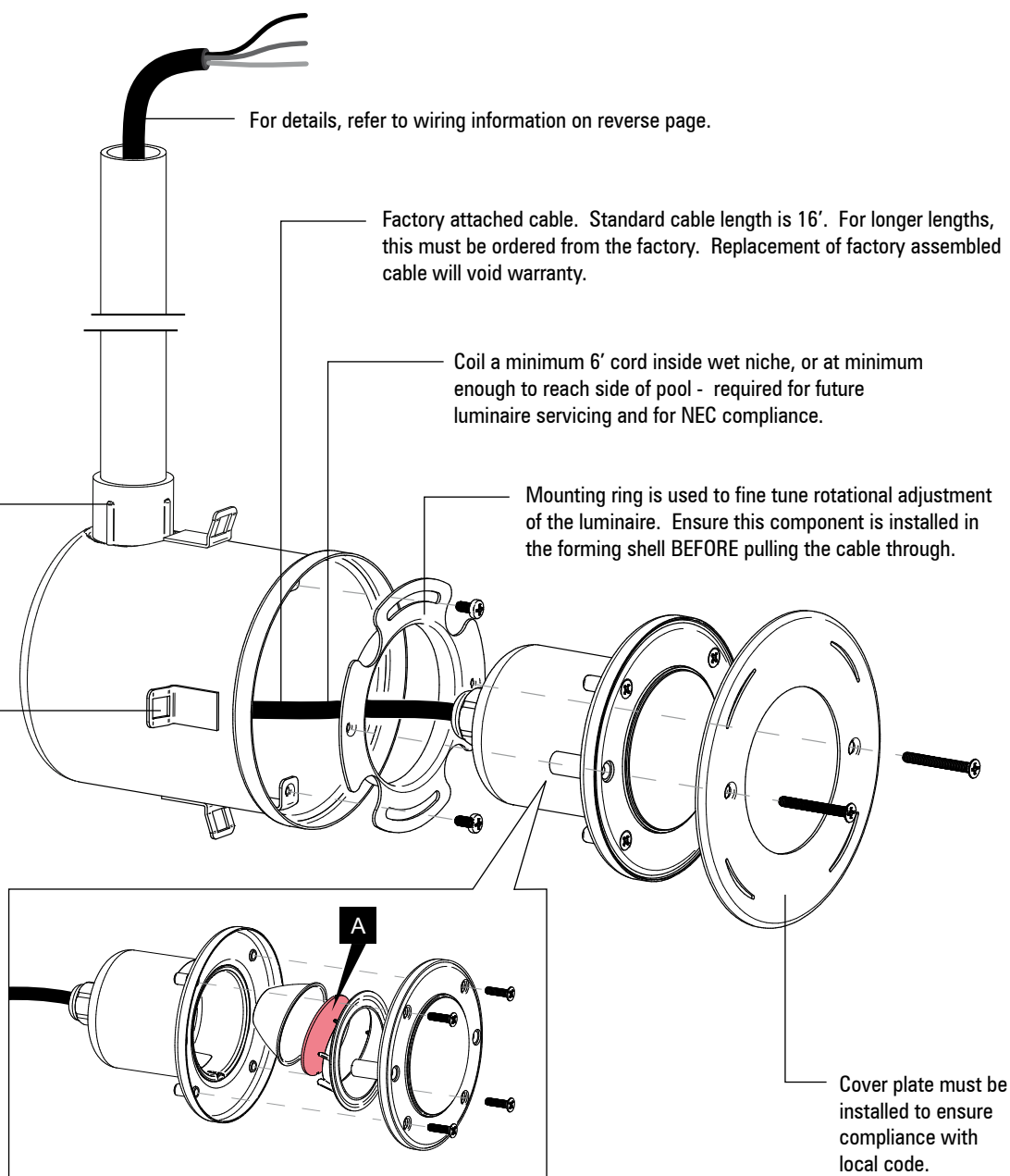
Use tie-wire points to securely hold forming shell in place during construction.

For details, refer to wiring information on reverse page.

Factory attached cable. Standard cable length is 16'. For longer lengths, this must be ordered from the factory. Replacement of factory assembled cable will void warranty.

Coil a minimum 6' cord inside wet niche, or at minimum enough to reach side of pool - required for future luminaire servicing and for NEC compliance.

Mounting ring is used to fine tune rotational adjustment of the luminaire. Ensure this component is installed in the forming shell BEFORE pulling the cable through.



A Diffuser Installation (LS333ANS-2COB ONLY)

Open luminaire and insert diffuser between reflector and accessory holder. Re-seal luminaire.


Cover plate must be installed to ensure compliance with local code.

Should you experience any difficulty, please contact Lumascope directly: phone (866) 695-5862 or email info@lumascope.com

IF IN DOUBT, PLEASE CALL

www.lumascope.com

Wiring Information

 Use only power unit specifically approved for pool, spa and fountain use

LS333ANS-2COB

Wire Colour	Designation
Black	30 V DC -
Red	30 V DC +
Grey ⁽¹⁾	PWM -

⁽¹⁾ Do not connect if dimming is not required

**LS333ANS-2LED
SINGLE COLOR
DIMMABLE**

Wire Colour	Designation
Black	V -
Red	V +
Orange ⁽¹⁾	PWM +
Grey ⁽¹⁾	PWM -

⁽¹⁾ Do not connect if dimming is not required

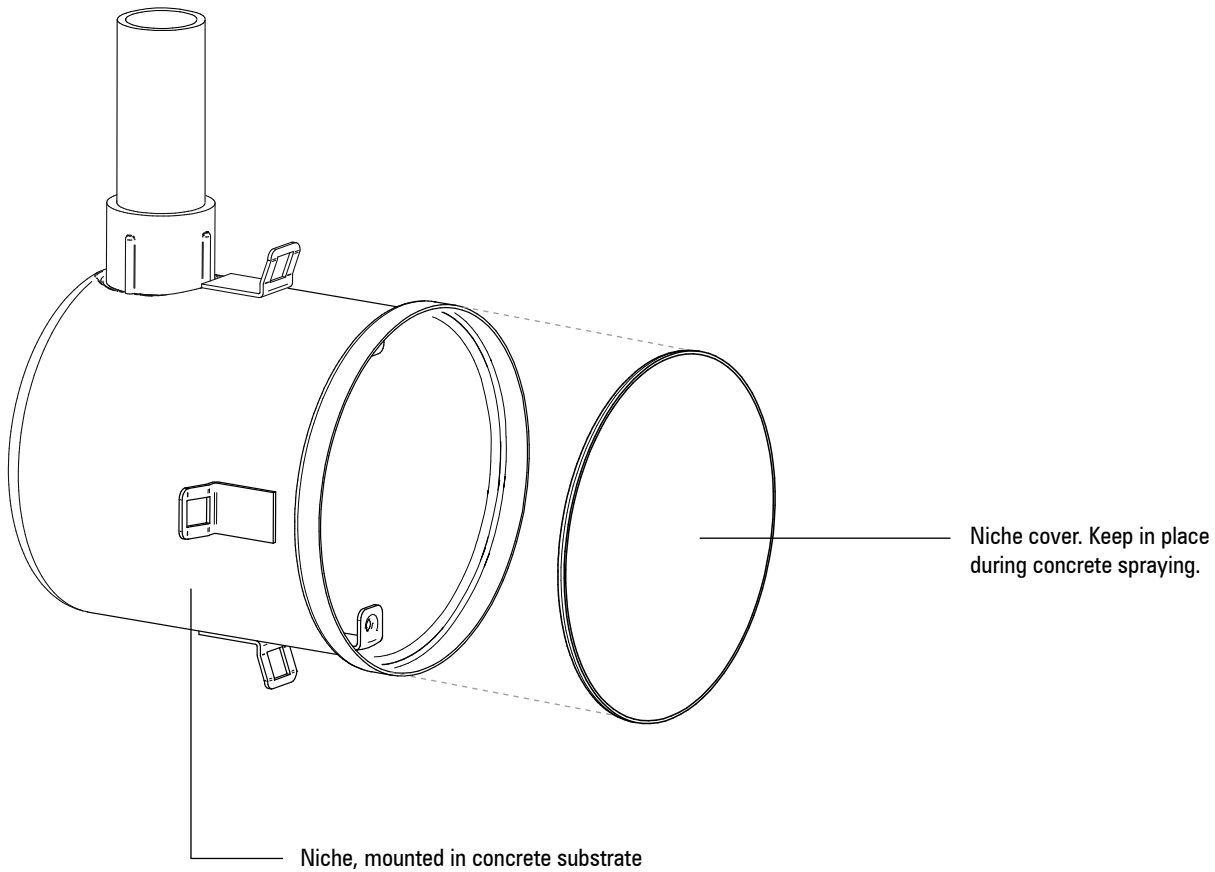
**LS333ANS-2LED
SINGLE COLOR
NON-DIMMABLE**

Wire Colour	Designation
Black	V -
Red	V +

**LS333ANS-2LED
RGB VERSION**

Wire Colour	Designation
White	V +
Black	V -
Orange	PWM Common
Red	PWM Red
Green	PWM Green
Blue	PWM Blue

Niche Installation



Should you experience any difficulty, please contact Lumascape directly: phone (866) 695-5862 or email info@lumascape.com

IF IN DOUBT, PLEASE CALL

www.lumascape.com