



The Centria C4 is one of the most compact and versatile surface mount luminaires in its class, featuring light output and energy efficiency surpassing 35W Metal Halide. Available in white, colour changing and tunable white light engines, the Centria C4 is packed with features including EasyGlow™ visual comfort and CoolDrive™ thermal management technologies. PowerSync™ allows for highly granular digital control via common protocols. Unique and flexible mounting and glare control accessories enable installation in multiple orientations including two axes of adjustment, making it ideal for direct or indirect applications.

Performance

Static White & Colour	Lumen Output (lm)	Efficacy (lm/W)	Peak Intensity (cd)
● 2,700 K (80 CRI)	1,568	66.6	35,736
● 3,000 K (80 CRI)	1,655	71.1	38,189
○ 3,500 K (80 CRI)	1,730	74.9	38,913
● 4,000 K (80 CRI)	1,712	73.7	39,674
● 5,000 K (70 CRI)	2,025	87.0	47,160
● Red	-	-	-
● Green	-	-	-
● Blue	-	-	-

Static white lumen output values are based on a 10° lens.

Dynamic Colour	Lumen Output (lm)	Efficacy (lm/W)	Peak Intensity (cd)
● RGBA	1,058	48.6	18,121
● RGBW	1,145	52.6	23,150
● RGBW - Royal Blue	-	-	-

Dynamic Colour lumen output values are based on a 10° lens.

Tunable White	Lumen Output (lm)	Efficacy (lm/W)	Peak Intensity (cd)
● 2,700 K - 6,500 K	1,697	72.7	39,910

Tunable white lumen output values are based on a 10° lens with all channels at 100%.

Performance

Beam Angles	10°, 13°, 20°, 26°, 47°, 40° x 10°, 60° x 20°
--------------------	-----------------------------------------------

Electrical

LED Power	22W
Consumption	≤25W maximum
Lifetime (L70)	>60,000hrs (B10, L70, TM21)
Input Voltage	Mains Voltage 120-277V, 50/60Hz Low Voltage 30-48V DC
Earth Leakage	120V - 0.3mA, 240V - 0.4mA, 277V - 0.6mA
Thermal Management	CoolDrive™ onboard thermal monitoring and control.

Control

Interface	Lumascap PowerSync™
Protocols	DMX/RDM, Artnet, PWM ⁽¹⁾ , 0-10 V (sink or source) ⁽¹⁾ <small>Some protocols require additional hardware. For details and for other available protocols contact factory. 1. Not available for Colour Changing</small>
PWM Frequency	2,000Hz flicker free dimming to 0.1%
Systems	Range of third-party controllers

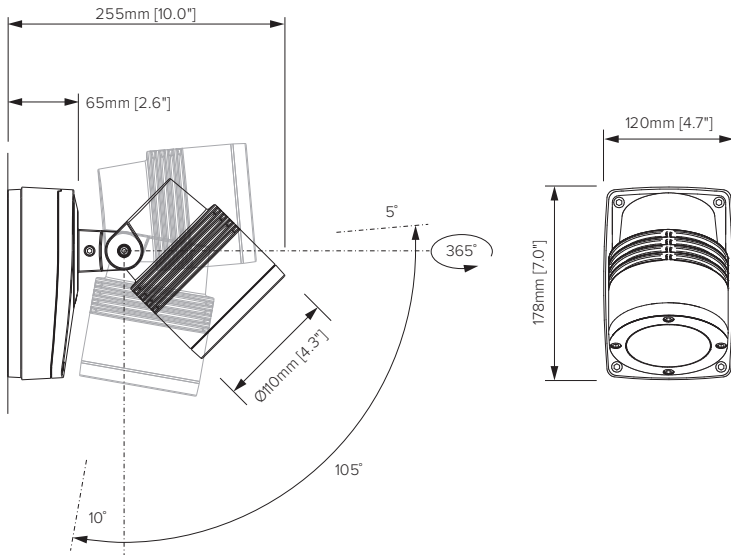
Physical

Housing	Die cast marine grade aluminum, tempered glass lens.
Finish	Superior 9-step powder-coating process, including marine epoxy undercoat and polyester top coat.
Installation	Surface-mounted
Adjustable	Constant torque adjustable luminaire head
Ambient Operating Temperature	-40°C to 50°C (-40°F to 122°F)
Surface Temperature	≤59°C (138°F)
Weight	2.0kg (4.5lb)

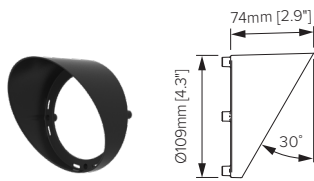
Certification & Compliance

IP Rating	IP66 / IP67
IK Rating	IK7
Environment	Dry, Damp, Wet locations
Certifications	ETL, CE, RCM, CCC (Pending)

Luminaire Dimensions

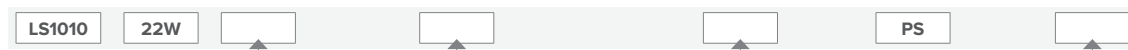


Shielding & Glare Control



LS6104

External Glare Shield



Static White & Colour	Code
2,700 K (80 CRI)	827
3,000 K (80 CRI)	830
3,500 K (80 CRI)	835
4,000 K (80 CRI)	840
5,000 K (70 CRI)	750
Red	RED
Green	GRN
Blue	BLU

Dynamic Colour	Code
RGBA	4CA
RGBW	4CW
RGBW - Royal Blue	4BW

Tunable White	Code
2,700 K - 6,500 K	2WT

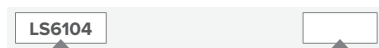
Beam	Code
10°	VN
13°	NR
20°	NM
26°	ME
47°	WD
40° x 10°	NH
10° x 40°	NV
60° x 20°	WH
20° x 60°	WV

Input Voltage	Code
110-240V, 50/60Hz	01 ⁽¹⁾
120-277V, 50/60Hz	09 ⁽²⁾
30-48V DC	07 ⁽¹⁾
30-48V DC	13 ⁽²⁾

(1) International market
(2) North American market

Finish	Code
Black	BL
Anthracite Grey	AG
Basalt Grey	BT
Anodic Silver	SL
White	WT
Dark Bronze	DB
Latte	LT
Dark Aluminum	DA
Custom RAL	CC ⁽¹⁾

(1) Please provide RAL colour.



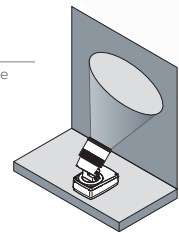
Glare Control Accessories	Code
External Glare Shield	LS6104

Finish	Code
Black	BL
Anthracite Grey	AG
Basalt Grey	BT
Anodic Silver	SL
White	WT
Dark Bronze	DB
Latte	LT
Dark Aluminum	DA
Custom RAL	CC ⁽¹⁾

(1) Please provide RAL colour.

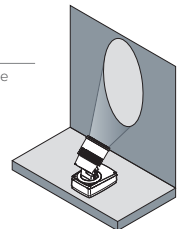
Beam Orientations

Beam Orientation for the "NH" and "WH" optical system



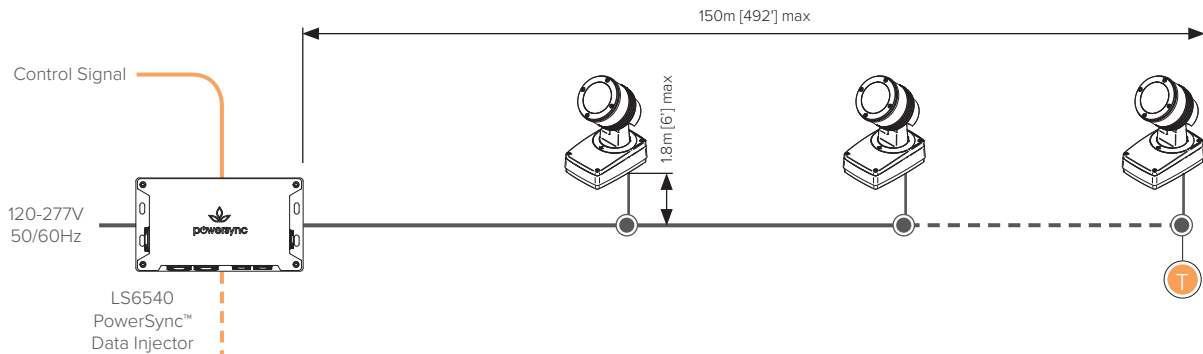
Beam Orientations

Beam Orientation for the "NV" and "WV" optical system

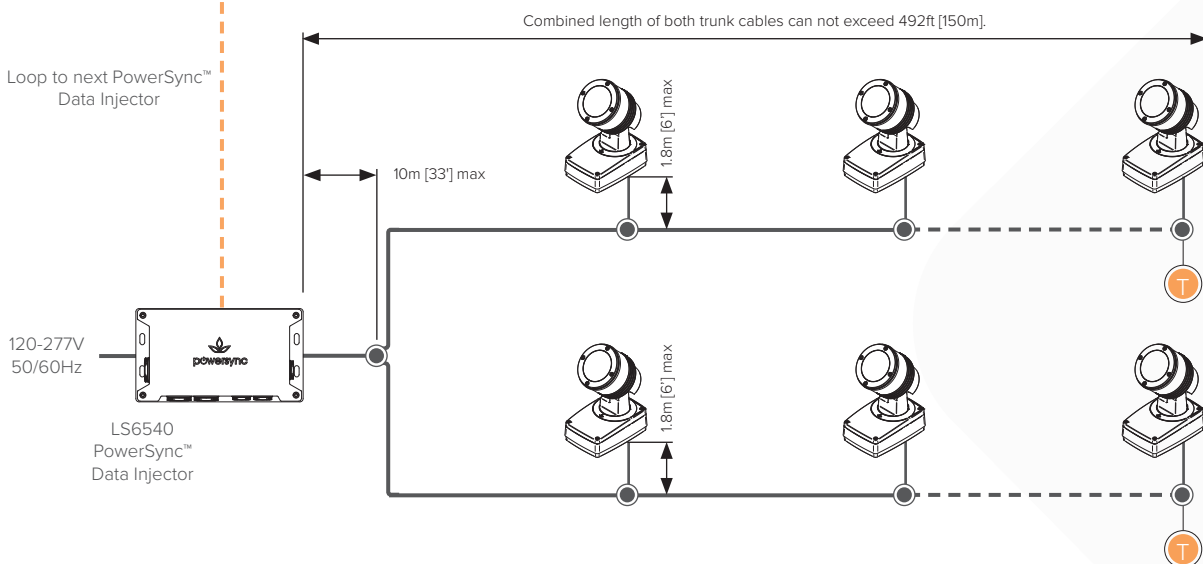


Network Topology - PowerSync™ Dimmable - Mains Voltage

PowerSync™ Topology 1 - Single Trunk Cable



PowerSync™ Topology 2 - Split Trunk Cable



Up to 45 luminaires per run under the following conditions:

- Max total cable run length 150m (492') in up to two trunk cables
- For run lengths in excess of 30m (100'), the *data* wire gauge cannot exceed 14 AWG (2.5mm²)
- For run lengths up to 30m (100'), the *data* wire gauge is not governed
- Refer to 'Maximum Circuit Load' table for circuit limitations
- Always observe local electrical codes for branch circuit current limitations



Terminator

Use PowerSync™ terminator, supplied with LS6540, to terminate last luminaire in chain.



Connection Type

Circuits can be configured as hardwired. For details consult installation instructions and comply with local electrical codes.

Maximum Circuit Load

Maximum Number of Interconnected Fixtures		
Voltage	12A	16A
120V	30	45
240V	45	45
277V	45	45

Refer to PowerSync™ installation manual for maximum distance information and topology options.


For non-continuous runs contact factory for details.

NOTE: The above diagrams are intended to show electrical pathways between luminaires and ancillary device. These diagrams are not intended to show type or colour of cord / wire, luminaire input voltage rating, wire gauge or approved use of the cord / wire supplied with luminaires.

Wire Colours & Designations

Mains Voltage - International Market

Designation	Colour
Active	Brown
Neutral	Blue
Earth	Green / Yellow
Data	Black



Mains Voltage - North American Market

Designation	Colour
Active	Black
Neutral	White
Earth	Green / Yellow
Data	Grey (or Red)

