



The LS422LED is a groundmounted luminaire, suitable for a wide range of landscape lighting applications. Available with a concrete anchor, the height of the luminaire allows the light head to stand above plantings for an unobstructed cast of light on the target. Choices of beam angle, light and glare control accessories are available.

Performance

Static White & Colour	Lumen Output (lm)	Efficacy (lm/W)	Peak Intensity (cd)
● 3,000 K (80 CRI)	2,141	68	14,003
● 4,000 K (80 CRI)	2,420	76	13,608
● Blue	-	-	-

Static white lumen output values are based on a 27W luminaire with 20° lens.

Dynamic Colour	Lumen Output (lm)	Efficacy (lm/W)	Peak Intensity (cd)
● RGB	-	-	-

Beam Angles	14°, 20°, 25°, 30°, 40° x 10°, 40° x 20° Not available with all light engines. Refer to matrix on page 2
-------------	---

Electrical

LED Power	16W, 24W or 27W
Consumption	31.9W (nominal for 27W)
Input Voltage	Mains Voltage 100-277V AC, 50/60Hz Low Voltage 24V DC (International Market) 12-15V AC, 12-24V DC (North American Market)

Control

Protocols	DMX (International Market) PWM / 0-10V or DMX to PWM converters available (North American Market)
-----------	--

Physical

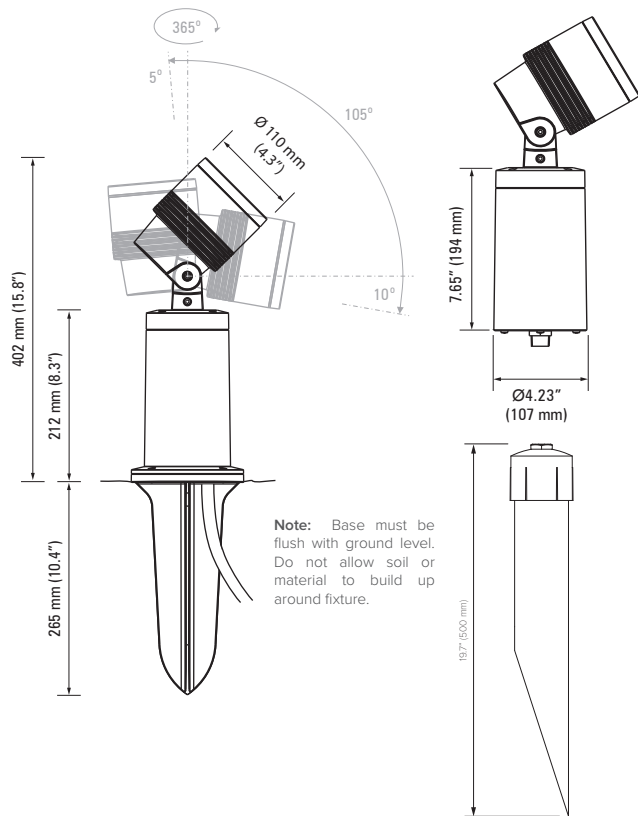
Housing	LM20 die cast marine grade powder coated aluminium and high temperature polymer
Installation	Concrete anchor
Ambient Operating Temperature	-20 °C to 50 °C (-4 °F to 122 °F)
Surface Temperature	≤ 65 °C (≤ 149°F) HumanTouch™ Compliant



Certification & Compliance

IP Rating	IP66 / 67
Certifications	CE, ETL

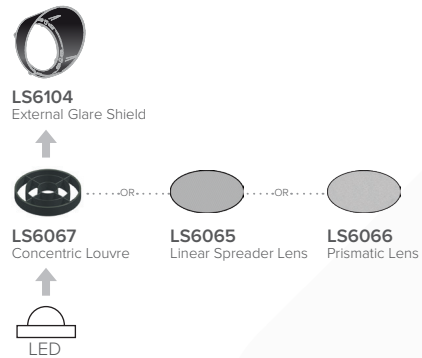
Luminaire Dimensions



LS6054 - Groundmount Stake
North American market only. Order separately.

Luminaire Accessories

Stacking and order of accessories



Other accessory stacking options may be available - consult factory

= Quickship Available Option*
*Only Available in North America

LS422LED					
-----------------	--	--	--	--	--

Power	Code
16W	16
24W	24 ⁽¹⁾
27W	27

(1) Only available for RGB

Static White & Colour	Code
4,000 K (80 CRI)	W4
3,000 K (80 CRI)	H6
Blue (470 nm typical)	B4

Dynamic Colour	Code
RGBW - Royal Blue	4BW

Beam	Beam	Code
N/A	14°	NR
20°	N/A	NM
25°	20°	ME ⁽¹⁾
N/A	30°	WD
40° x 20°	40° x 10°	LH ⁽²⁾
20° x 40°	10° x 40°	LV ⁽²⁾

(1) Recommended for best RGB colour mixing.
(2) Refer to beam orientation diagram.

Input Voltage (International)	Code
100-240V AC, 50/60 Hz	01 ⁽¹⁾
24V DC	07 ⁽¹⁾⁽²⁾⁽³⁾
PWM Dimmable Driver, 24V DC	27 ⁽²⁾⁽³⁾

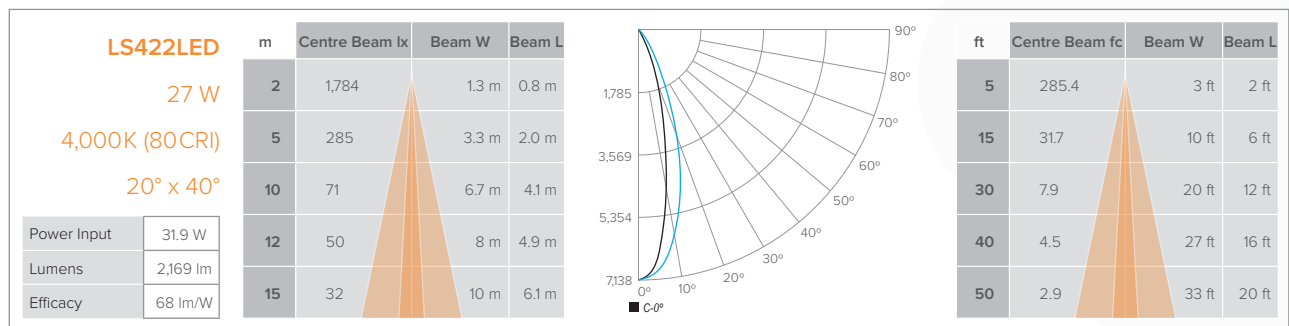
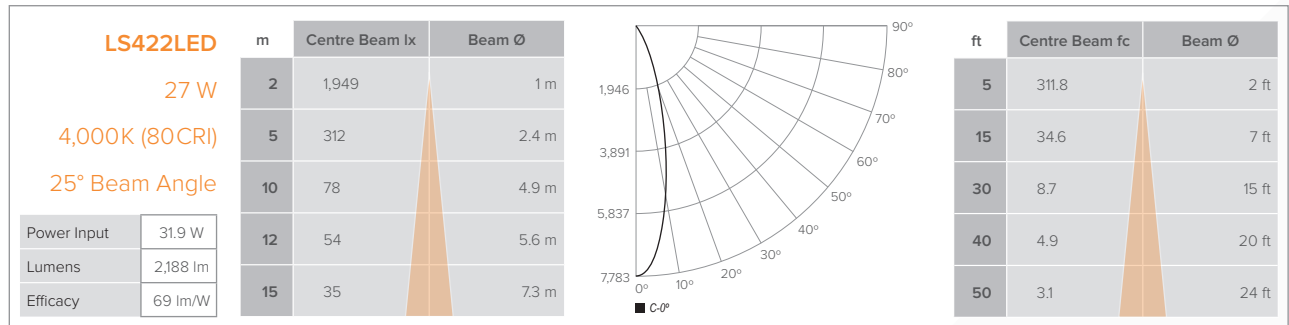
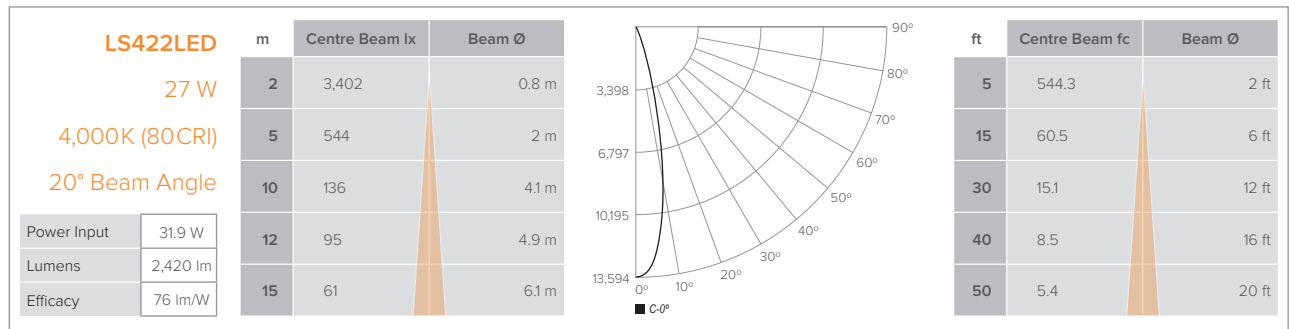
(1) Not available for RGB.
(2) Not available with 16W light engine.
(3) Requires appropriate power supply.

Input Voltage (North America)	Code
120-277V AC, 50/60 Hz	09 ⁽¹⁾
12-15V, 60 Hz	13 ⁽¹⁾⁽²⁾⁽³⁾
PWM Dimmable Driver, 12-15V AC, 12-24V DC	23 ⁽²⁾⁽³⁾
0-10V Dimmable Driver, 120-277V AC	29 ⁽³⁾

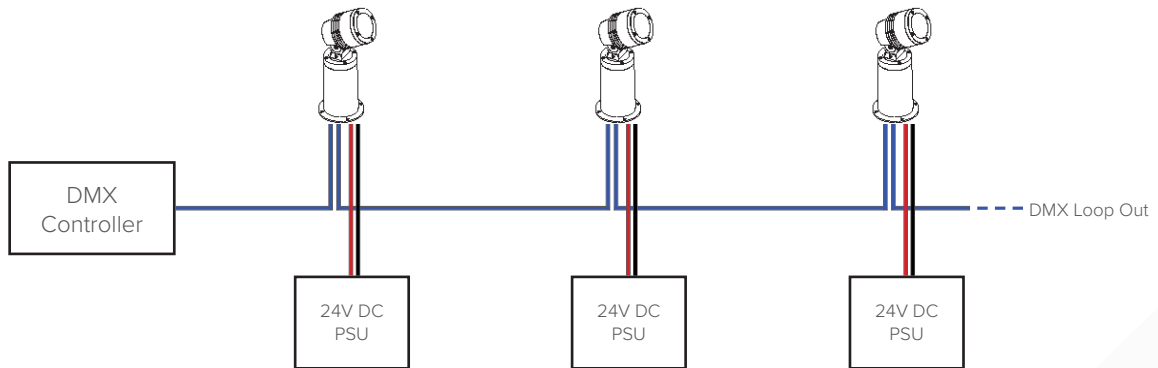
(1) Not available for RGB.
(2) Not available with 16W light engine.
(3) Requires appropriate power supply.

Finish	Code
Black	BL
Anodic Silver	SL
White	WT

Photometric data is based on test results from a NIST traceable testing lab. IES data is available at www.lumascap.com
 Note: No depreciation factor is applied to the data shown.



Wiring Diagram - Dynamic Colour or Single Colour (DMX)



Up to 32 luminaires per run under the following conditions:

- All luminaires individually addressable and controllable
- Luminaires driven by integral LED drivers
- Up to 32 luminaires on a DMX network
- Refer to 'Maximum Circuit Load' table for circuit limitations
- Always observe local electrical codes for branch circuit current limitations

Maximum Circuit Load

Compatibility with each driver is indicated by the value shown in the table, representing the maximum number of luminaires that may be powered from each driver based on a maximum cable run of 100m (328ft) and a trunk cable size of 3.3mm². Please note, this does not take into consideration voltage drop beyond a distance of 100m or ampacity limits of the branch circuit. For assistance, please consult factory.

LSLED-24V Power Supplies			
Input Voltage	100-240V, 50/60Hz		
Output Voltage	24V DC		
Wattage	40W	100W	150W
LS422LED, 24W	-	2	3
LS422LED, 27W	-	2	3

NOTE: The above diagrams are intended to show electrical pathways between luminaires and ancillary device. These diagrams are not intended to show type or colour of cord / wire, luminaire input voltage rating, wire gauge or approved use of the cord / wire supplied with luminaires.

Power Supply Specifications

DC Power Supplies

LSLED-24V100W240

24V DC Ripple Free Power Supply

Input	170-250V AC, 50/60Hz
Output	100W, 24V DC, 4.2A
Ambient Temperature Rating	-10°C to 50°C
Compliance	IEC61347-2-13, CE
IP Rating	IP66
Short Circuit Protection	Yes
Open Circuit Protection	Yes
Protection Class	Class II CE

LSLED-24V150W240

24V DC Ripple Free Power Supply

Input	90-305V AC, 50/60Hz
Output	150W, 24V DC, 6.3A
Ambient Temperature Rating	-10°C to 50°C
Compliance	IEC61347-2-13, CE
IP Rating	IP66
Short Circuit Protection	Yes
Open Circuit Protection	Yes
Protection Class	Class II CE

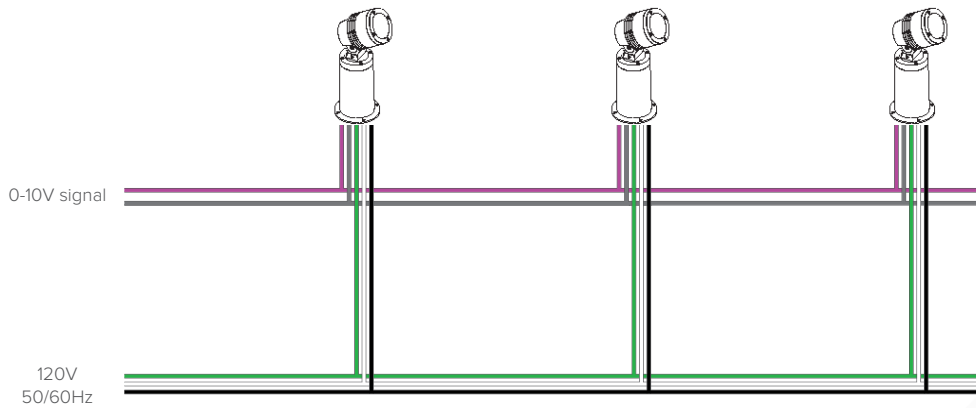
LSLED-24V40W240

Electronic DC Power Supply - wall mounted

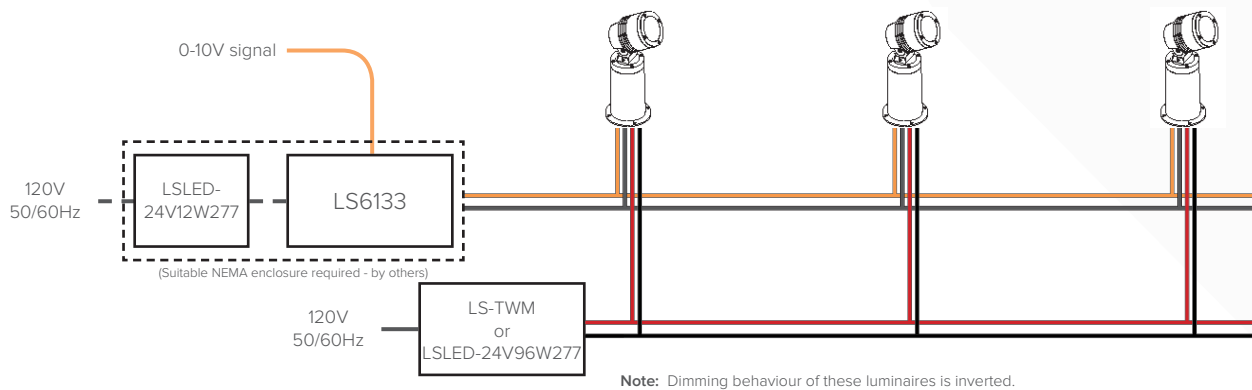
Input	100-240V AC, 50/60Hz
Rating	40W / 1.67A
Output	24V
Ambient Temperature Rating	-25°C to 60°C (-13°F to 140°F)
Output Circuits	1
Approvals	CE, EN60950-1, EN61347-2-13
IP Rating	IP65/67
Dimensions	H 171mm W 62mm L 37mm (H 6.7" / W 2.4" / L 1.5")
Weight	0.7kg (1.6lb)

Wiring Diagram - Static Colour (0-10V) for Line Voltage LED Luminaires

Please note: The use of a GFCI may be required. Consult local wiring rules.



Wiring Diagram - Static Colour (0-10V) for 12-15V AC or 24V DC Circuit



Note: Dimming behaviour of these luminaires is inverted.

Control Protocols



For 0-10V control signal, use LS6133
0-10V to PWM converter

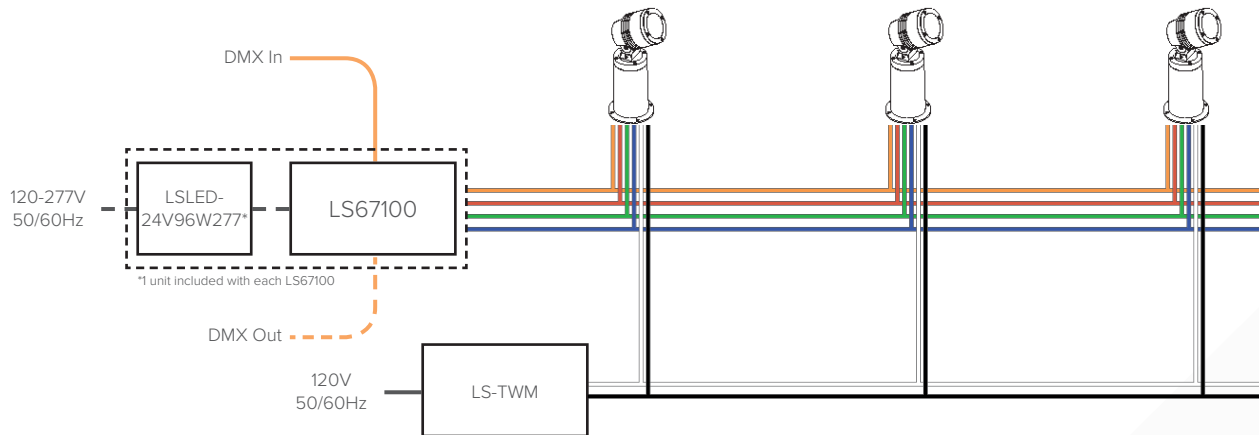
Maximum Circuit Load

Compatibility with each driver is indicated by the value shown in the table, representing the maximum number of luminaires that may be powered from each driver based on a maximum cable run of 100m (328ft) and a trunk cable size of 3.3mm². Please note, this does not take into consideration voltage drop beyond a distance of 100m or ampacity limits of the branch circuit. For assistance, please consult factory.

	Transformer / Power Supplies	
	LS-TWM-1-300	LSLED-24V96WD277
Input Voltage	120V, 60Hz	120-277V 50/60Hz
Output Voltage	12/13/14V, 60Hz	24V DC
Wattage	1 x 300W circuit	96W
LS422LED, 24W		
LS422LED, 27W		

NOTE: The above diagrams are intended to show electrical pathways between luminaires and ancillary device. These diagrams are not intended to show type or colour of cord / wire, luminaire input voltage rating, wire gauge or approved use of the cord / wire supplied with luminaires.

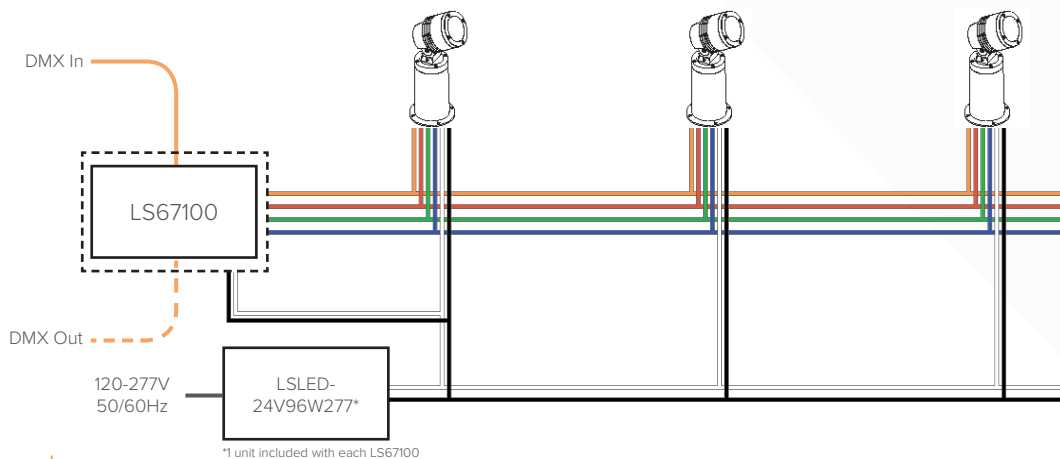
Wiring Diagram - Dynamic Colour (DMX) for 12-15V AC Circuit



Control Protocols

DMX For DMX control signal, use LS67100 DMX to PWM converter

Wiring Diagram - Dynamic Colour (DMX) for 24V DC Circuit



Control Protocols

DMX For DMX control signal, use LS67100 DMX to PWM converter

Maximum Circuit Load

Compatibility with each driver is indicated by the value shown in the table, representing the maximum number of luminaires that may be powered from each driver based on a maximum cable run of 100m (328ft) and a trunk cable size of 3.3mm². Please note, this does not take into consideration voltage drop beyond a distance of 100m or ampacity limits of the branch circuit. For assistance, please consult factory.

	Transformer / Power Supplies	
	LS-TWM-1-300	LSLED-24V96WD277
Input Voltage	120V, 60Hz	120-277V 50/60Hz
Output Voltage	12/13/14V, 60Hz	24V DC
Wattage	1 x 300W circuit	96W
LS422LED, 24W		
LS422LED, 27W		

NOTE: The above diagrams are intended to show electrical pathways between luminaires and ancillary device. These diagrams are not intended to show type or colour of cord / wire, luminaire input voltage rating, wire gauge or approved use of the cord / wire supplied with luminaires.

Transformer / Power Supply Specifications

Class 2 LED Power Supplies

LSLED-24V96WD277

Electronic DC Power Supply - wall mounted

Input	120-277V, 50/60Hz
Output	24V DC, 4A max
Efficiency	86% typ.
Ambient Temperature Rating	-22°F to 140°F (-30°C to 60°C)
Connections	6 x 1/2" entries (3 in / 3 out)
UL Classification	UL 8750
Location	Dry / Damp location only
IP Rating	IP66 (NEMA 3)
Dimensions	H 1.3" W 3.0" L 11.46" (H 33mm / W 76mm / L 291mm)

Transformers for Landscape Lighting Applications

LS-TWM-1-300

Magnetic Transformer - wall mounted

Input	120V
Rating	300W
Output	12 / 13 / 14 / 15V
Output Circuits	1
Protection	Electrostatic shield, magnetic breaker
Approvals	UL, CUL
NEMA Rating	3R
Construction	Stainless steel
Dimensions	H 17.6" W 6.8" D 6.19" (H 447mm / W 173mm / D 157mm)
Weight	27lb (12.3kg)

Control Related Equipment

LS6133

0-10V to PWM translator - NEMA enclosure required (by others)

Input	24V DC
Rating	96W max
Output	4A max
Output Circuits	1
Approvals	UL, CUL Recognised, Class 2
IP Rating	IP66
Dimensions	H 5.2" W 1.3" D 1" (H 132mm / W 33mm / D 25mm)
Weight	0.2lb (0.1kg)

LSLED-24V12W277

Electronic DC Power Supply - NEMA enclosure required (by others)

Input	120-277V, 50/60Hz
Rating	12W / 0.5A
Output	24V DC
Output Circuits	1
Approvals	UL, CUL Recognized, Class 2
IP Rating	IP66
Location	Wet location
Dimensions	H 3.35" W 1.42" D 0.91" (H 85mm / W 36mm / D 23mm)
Weight	0.282lb (0.1kg)