



READ ALL SAFETY INSTRUCTIONS FIRST

- › Follow all safety instructions carefully. Failure to do so will void warranty.
- › Ensure installation complies with local laws and any applicable standards.
- › Input voltage range 120-277 V AC
- › Only use Lumascope power supply, control equipment and leader cables.
- › Ensure mains input power is surge protected.
- › Never make connections whilst the power is connected.
- › Do not make modifications or alter product.
- › Keep luminaire clean and free of debris.
- › Connectors are to be kept clean and dry at all times.
- › Once installed, all connectors are to be mated and a PowerSync™ terminator is required on the last fitting of run.

Products and specifications are subject to change without notice.

Faisca F6 LS9260 (UL Junction Box)

Installation Instructions

Overview

Below is a general overview of a typical LS9260 UL Junction Box setup.



Products and specifications are subject to change without notice.

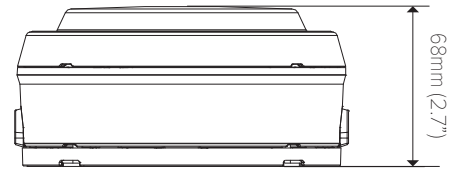
Faisca F6 LS9260 (UL Junction Box)

Installation Instructions

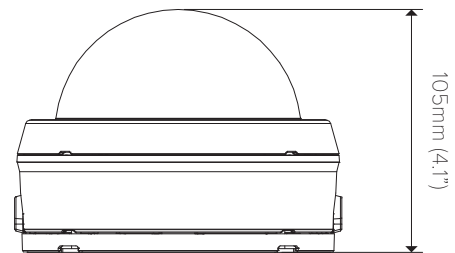


Dimensions

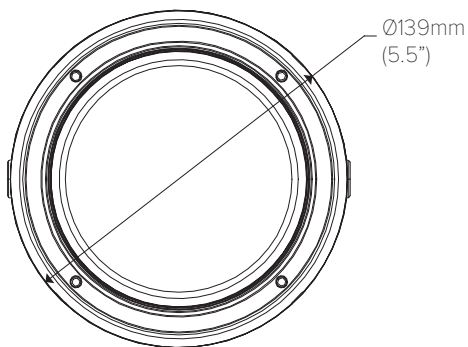
Flat Lens, Transparent (DF)



Domed Lens, Diffused (DC)



Top View



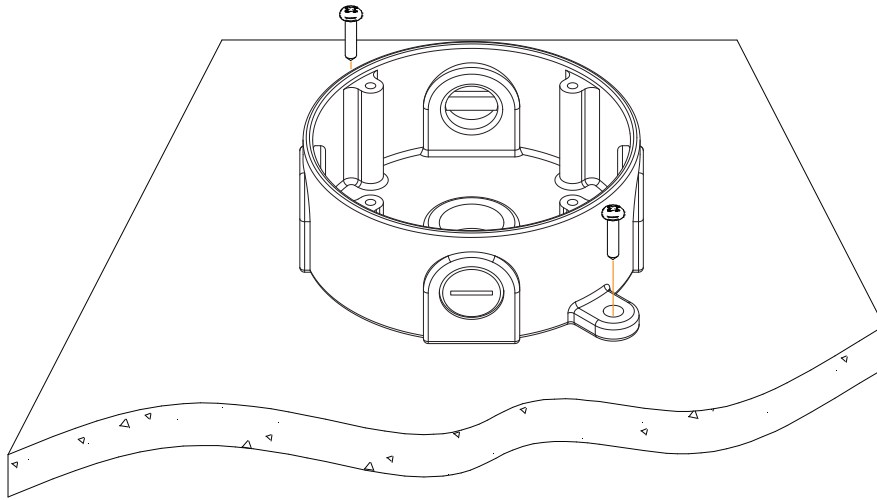
Products and specifications are subject to change without notice.

Installation Instructions

Installation

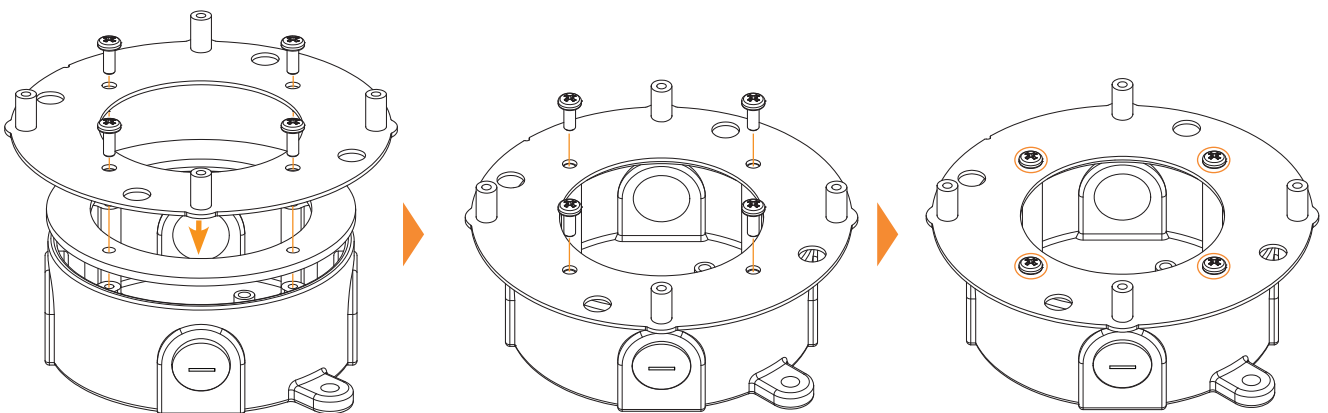
Step 1

Secure Junction Box base to mounting surface. Use maximum 1/5" (5mm) fasteners of type suitable for substrate. **Do NOT use countersunk fasteners.**



Step 2

Align Mounting Plate with Gasket and Junction Box to surface. Use fasteners appropriate for substrate.



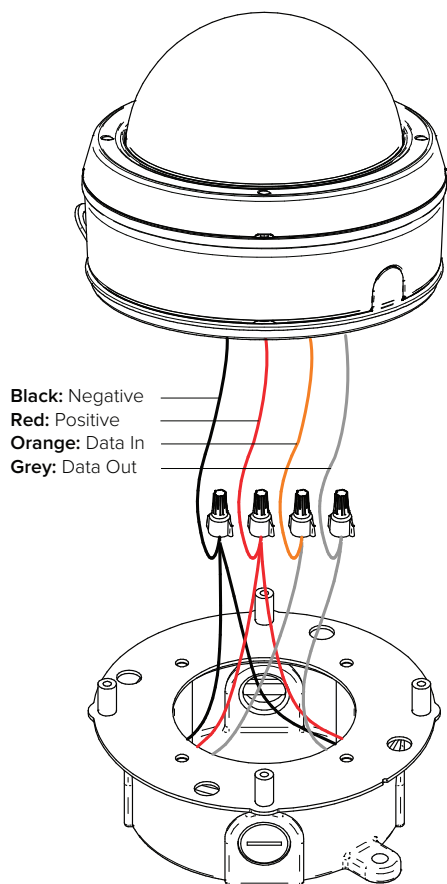
Products and specifications are subject to change without notice.

Installation Instructions

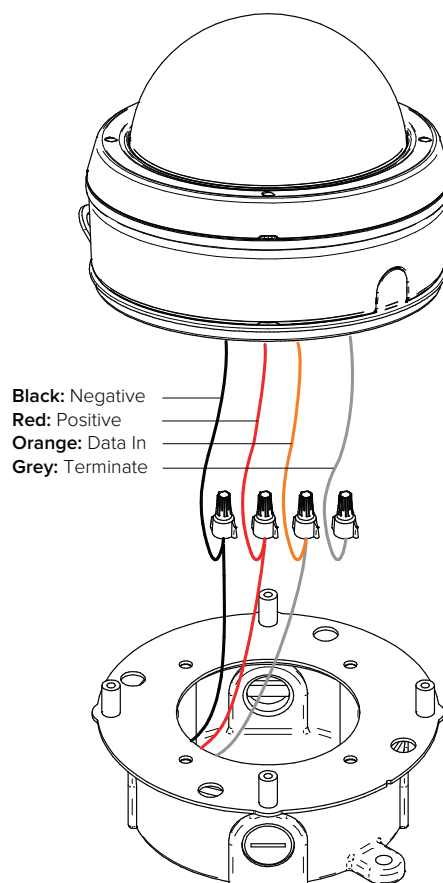
Installation

Step 3 Wire accordingly and secure all connections, luminaires and junction box bungs.

LS6327 Wiring: For use with connection type '82' (Hookup wire) Double Entry



LS6327 Wiring: For use with connection type '82' (Hookup wire) Single Entry



Secure all connections and luminaires
 Ensure gasket is used to seal the mating components.

Seal

Gasket supplied by others.

Secure all connections and luminaires
 Seal all possible water entry points and covers using RTV silicone.

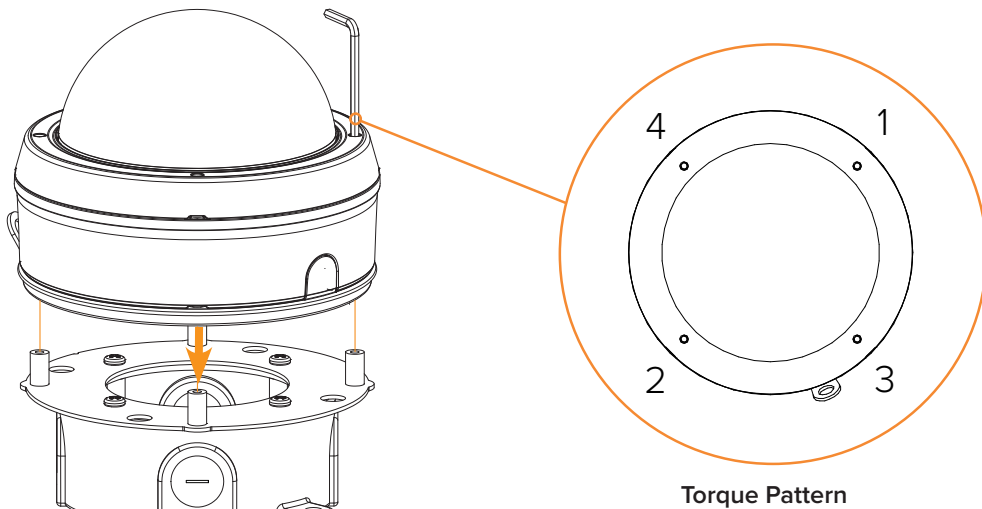
RTV Silicone

Sealing compound supplied by others.

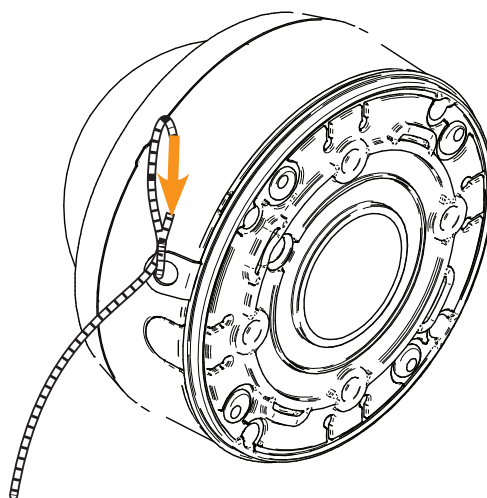
Products and specifications are subject to change without notice.

Installation

- Step 4** Place luminaire onto Junction box and tighten screws using allen key to secure luminaire in place. Follow torque pattern.



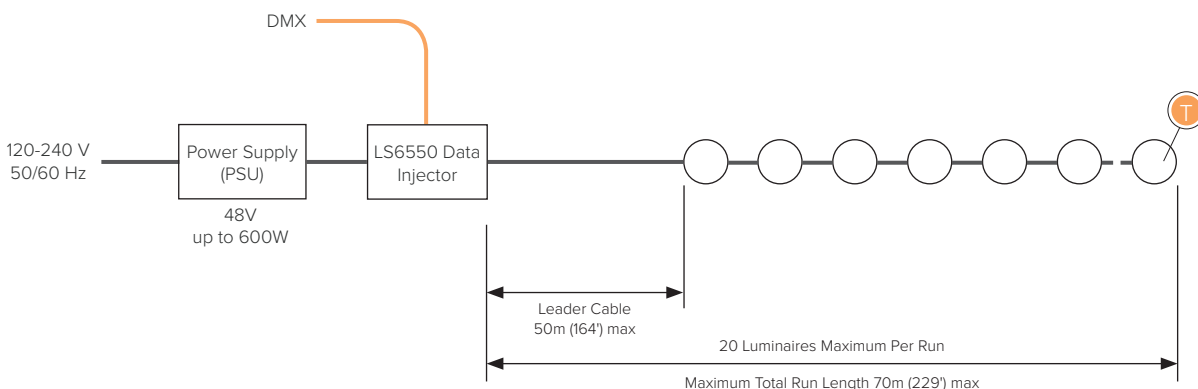
- Step 5** **Optional:** Safety lanyard attachment bracket. Tie lanyard (supplied by other) to the bracket if required. Attach the other end of the safety cable to a structural component in a suitable manner.



Products and specifications are subject to change without notice.

Network Topology

PowerSync™ Low Voltage



T Terminator
Use PowerSync™ terminator, supplied with leader cable to terminate last luminaire in chain.

I Maximum Current
Through Cables & Connectors ≤12.8A.

● Connection Type
Circuits are configured as connectorised. For details consult installation instructions and comply with local electrical codes.

Up to 20 luminaires per 48V PowerSync circuit / LS6550

Maximum Circuit Loading - Single Run						
LED Power	Max Leader Cable Length from LS6550 to first fitting	Maximum number of luminaires / 48V Power Supply				
		120W	240W	320W	480W	600W
20W	15m / 50ft	4	9	12	17	20
	30m / 98ft	4	9	11	16	18
	50m / 164ft	4	8	10	14	15

Values in the above table show the maximum circuit loading per 48V circuit. Values are based on 1.2m (4.0') spacing. Smaller spacing may effect the circuit loading. Extended fixture cables, inclusion of jumper cables, or longer leader cable will effect loading. Contact factory for details. Circuits can be made up of up to 20 fixtures, up to the maximum circuit loading in the table above. Circuits are limited to maximum 12.8A. For non-continuous runs, contact factory for details. For assistance, contact Lumascape.

Products and specifications are subject to change without notice.