

**LS9140**  
Quadralux



**LS9120**  
Quadralux



**WARNING**

Install in accordance with National Electric Code, ANSI/NFPA 70 or the Canadian Electrical Code, Part I (CEC), CSA C22.1

**READ ALL SAFETY INSTRUCTIONS FIRST**

- › Follow instructions carefully, failure to do so will void warranty.
- › Ensure installation complies with local law and applicable standards.
- › Input voltage is 120-277 V AC, 50/60 Hz
- › Only use Lumascape power supply, control equipment and leader cables.
- › Ensure mains input power is surge protected.
- › Never make connections whilst the power is connected.
- › Do not make modifications or alter the product.
- › Keep luminaire and connections clean and free of debris and moisture.
- › It is the installers responsibility that the installation is adequately sealed to avoid moisture ingress.

**Luminaire Cable**

Connect to PowerSync™ Master or suitable power supply in accordance with local wiring rules.


**Attach Safety Cable**

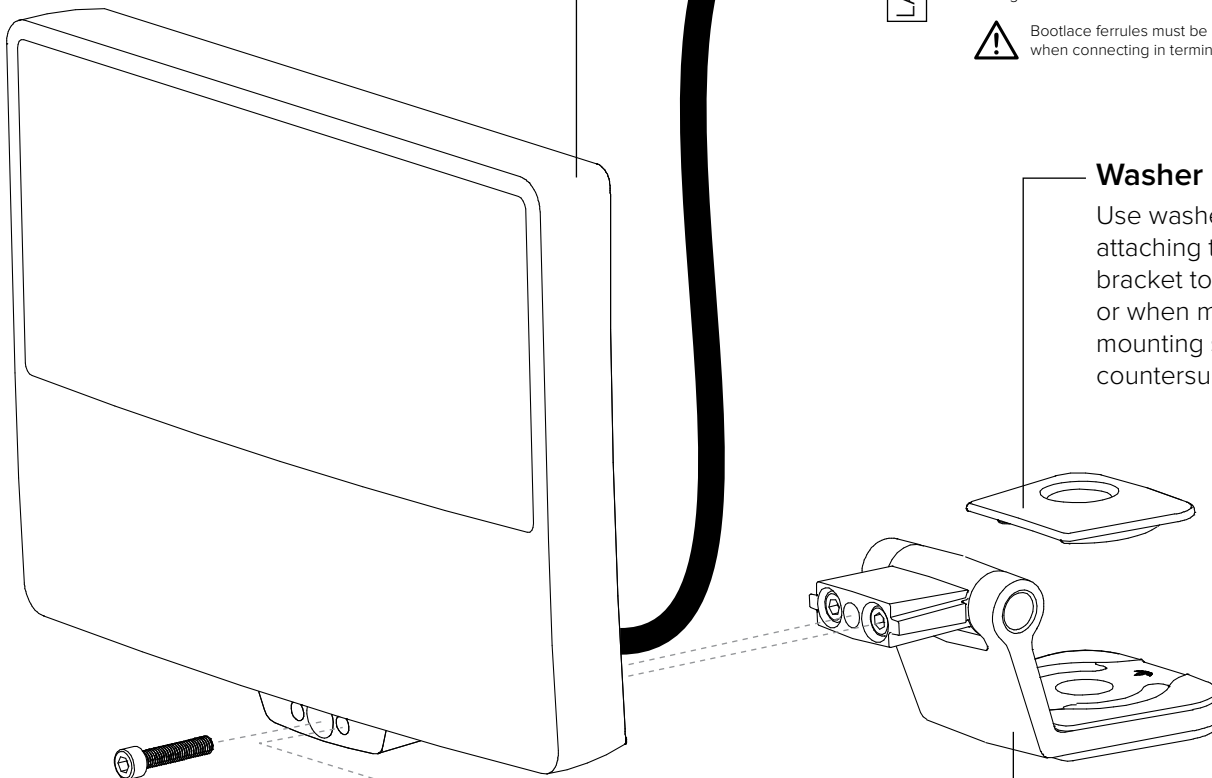
See over for details.

**Wiring Details**

CE Color Code	UL / ETL Color Code	Designation
Green / Yellow	Green	Earth / Ground (⊕)
Brown	Black	Active / Live (Ⓛ)
Blue	White	Neutral (Ⓝ)
Black	Grey	Data *

\* Data wire must be appropriately insulated if not connected. Operating voltage on this wire is 24 V. Incorrect wiring will damage luminaire and void warranty. Do not Hi-Pot test.

 Bootlace ferrules must be used on all wires when connecting in terminal blocks.

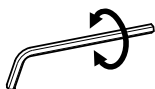


**Washer Plate**

Use washer plate when attaching the mounting bracket to an accessory or when mounting to any mounting surface using a countersunk screw.

**Bracket Mounting Screw**

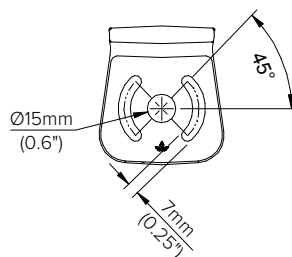
Use screw to attach luminaire to mounting bracket.



**Allen Key**

Use Allen key to lock luminaire tilt into position after adjusting tilt.

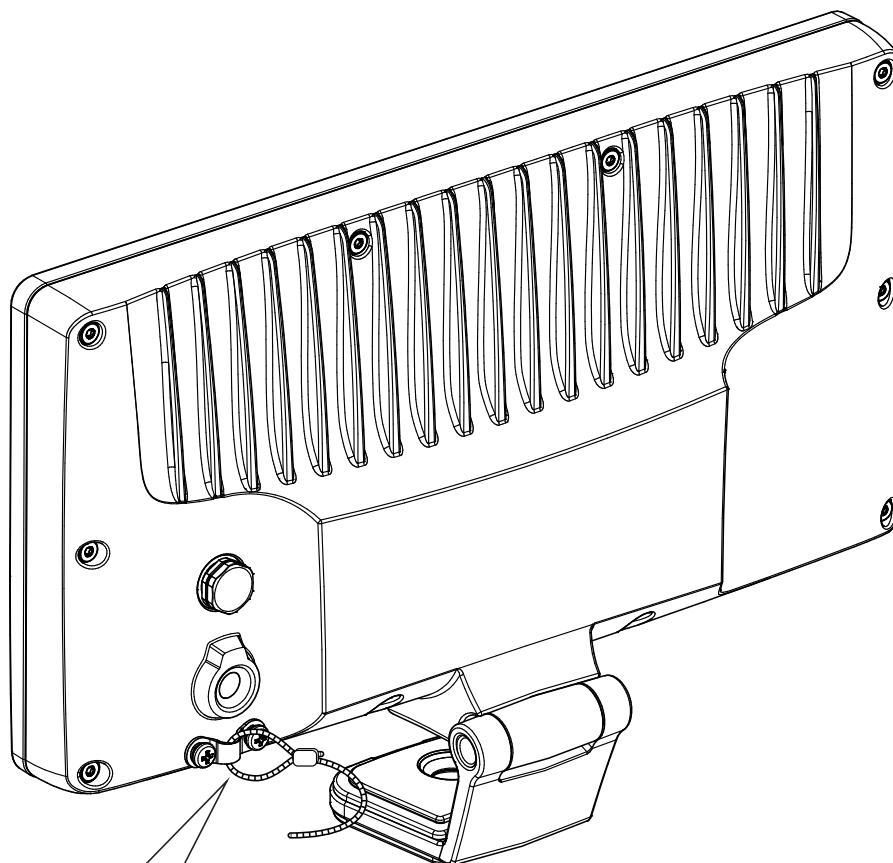
**Base View of Mounting Bracket**



**Mounting Bracket**

Use to attach luminaire to suitable mounting surface. Note that mounting bracket can be flipped upside down if required for installation purposes. Do not use mounting bracket with countersunk screws unless using in conjunction with washer plate.

## Safety Cable Attachment



### Cable Anchor

Remove the little rubber plugs and screw the safety cable attachment bracket to the luminaire.

### Attach Safety Cable

Attach the safety cable to the bracket.  
Minimum break load for cable must be  $\geq 1,020$  kg

### Mounting Screws

Be sure to use spring washers provided (between screw head and safety anchor) to ensure screws don't loosen over time.

### Attach Safety Cable

Attach the other end of the safety cable to a structural component in a suitable manner.

**?** **QUESTIONS** Contact us at details below.