



The industry's most reliable multi-tap transformer, stainless steel construction in 300, 600 and 900 Watt models.

- Designed for installation on a vertical surface in an upright position only
- Magnetic transformer
- 304 stainless steel construction
- Open switching control architecture
- Extra-large terminal block
- Multi-tap configuration
- Built-in stainless steel mounting brackets
- Conduit knock-outs
- Optional photocell

Electrical

Power Consumption	300 Watt	600 Watt	900 Watt
Input Voltage	120 V, 60 Hz	120 V, 60 Hz	120 V, 60 Hz
Output Voltage	11-14 Vac	11-14 Vac	11-14 Vac
Maximum Open Circuit Volts	15 V	15 V	15 V

Control

Programming	Built-in 120 V timer module receptacle for use with mechanical 24-hour timer or timer of choice (order separately).
Wiring	Heavy-gauge, grounded, water-resistant power cord with integrally molded plug, 3 foot in length.
Dimming	Lamps connected to the system should be compatible with forward phase control dimming.

Physical

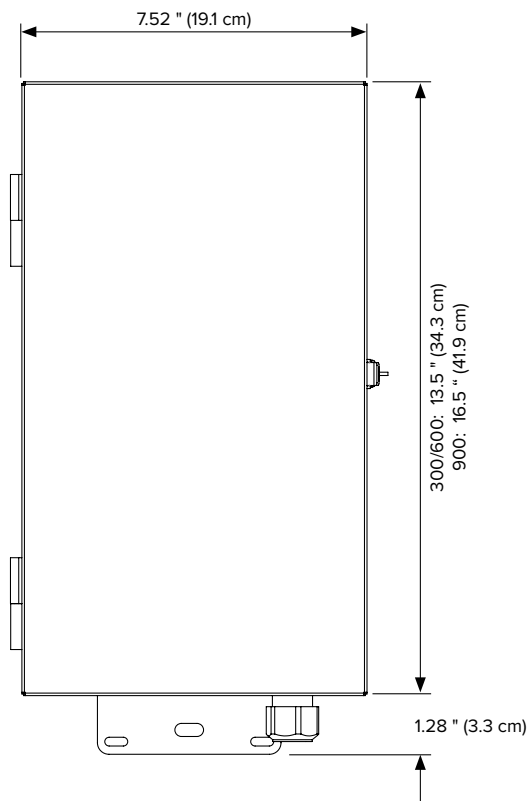
Construction	304 stainless steel outer box and latch, TGIC powder-coated inner chassis.		
Hardware	Two #12 x 1½" pan head machined mounting screws, stainless steel mounting brackets attached to transform box, rubber photocell cover included when photocell specified.		
Ambient Operating Temperature	0 °F to 140 °F (-18 °C to 60 °C)		
Width	7.5 " (19.1 cm)	7.5 " (19.1cm)	7.5 " (19.1cm)
Height	13.5 " (34.3 cm)	13.5 " (34.3 cm)	16.5 " (41.9 cm)
Depth	6 " (15.2 cm)	6 " (15.2 cm)	6 " (15.2 cm)
Weight	19.8 lbs (9.0 kg)	25.5 lbs (11.6 kg)	41.6 lbs (18.9 kg)

Certification & Compliance

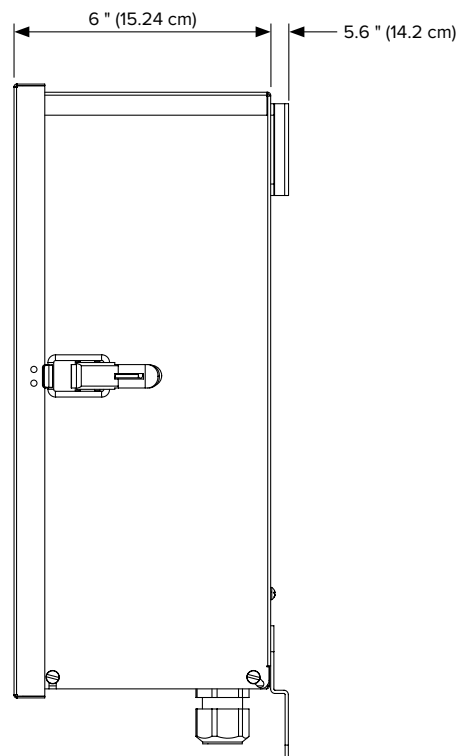
Compliance	UL1838	ETL1838/379 (Pool/Spa)	ETL1838/379 (Pool/Spa)
Class	2	2	2



Dimensions

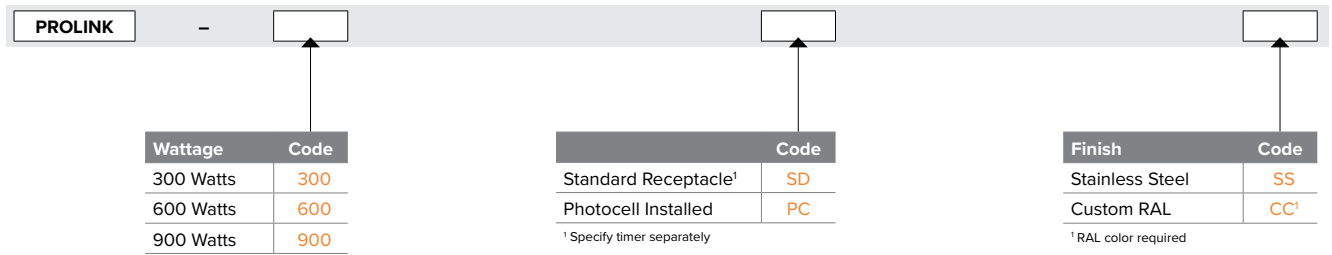


Front View



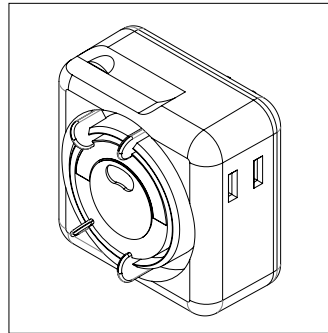
Side View

Specification Matrix



Accessories

<b>PXTIMER</b>	
↑	
Length	Code
Mechanical Timer	PXTIMER



<b>PXPC</b>	
↑	
Length	Code
Photocell (not installed)	PXPC

