



A recessed, wall-mounted luminaire offers beautiful lighting transitions in a compact design. The slender luminaire delivers an optimal amount of light exactly where it is needed. Only the Nook NK2 step light provides every specification needed to satisfy lighting requirements for a luminaire in its class including wide 12 ft spacing, tamper-resistant features, factory sealed construction, minimal glare, and various configurations to exceed the needs of lighting designers.

Performance

Static White & Color	Wattage Option	Lumen Output (lm)	Efficacy (lm/W)	Peak Intensity (cd)
● 3,000 K (80 CRI)	4 W	410	60	385
	8 W	600	61	558
Beam Angles	Beam (50%): 86°, Field (90%): 110°			

Electrical

LED Power	4 W, 8 W
Power Consumption	< 6 W, < 10 W maximum
Lifetime	> 60,000 hrs (L70, B10)
Input Voltage	120-277 Vac
Thermal Management	CoolDrive™ onboard thermal monitoring and control

Control

Dimming	4 W only: Phase-Dimming (forward or reverse) 8 W only: Phase-Dimming (forward or reverse) & 0-10 V
Systems	Range of third-party controllers

Please Note: Some protocols require additional hardware. For more information and other available protocols contact Lumascape.

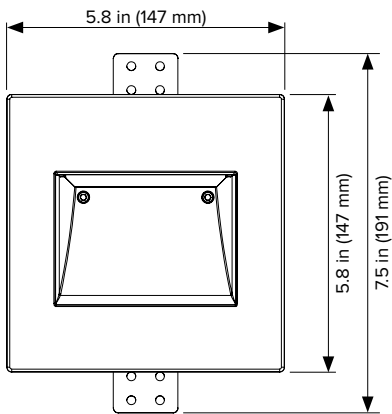
Physical

Housing	Die-case aluminium A380 faceplate and housing, polycarbonate construction sleeve with stainless steel hardware.
Faceplate	Die-case aluminium faceplate. Fastener holes located out of site in most installations.
LED	Lumiled ZES
Optics	86° beam angle with 110° field angle
Lens	Tempered glass lens with shock resistance and high tolerance for thermal expansion and stress. Glass lens sandblast frosted.
Finish	Two-layer protection of sulfuric acid anodization and polyester TGIC powder-coat, providing superior outdoor weathering in all conditions. Tested to ASTM standards.
Installation	Recessed
Installation Requirements	Housing/sleeve designed for recessed applications in the upward or downward directions only. Mounting kit required for installation and shipped separately.
Mounting Kit	Polycarbonate construction sleeve with vertical and horizontal ½" NPT knockouts. Construction cover included.
Exposed Dimension	1/8" (3 mm)
Ambient Operating Temperature	-13 °F to 140 °F (-25 °C to 60 °C)
Weight	2.2 lbs (1.0 kg)

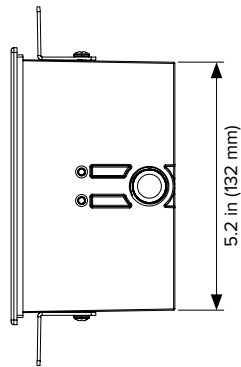
Certification & Compliance

IP Rating	IP66 / IP67
IK Rating	IK7
Environment	Dry, Damp, Wet locations
Certifications	UL

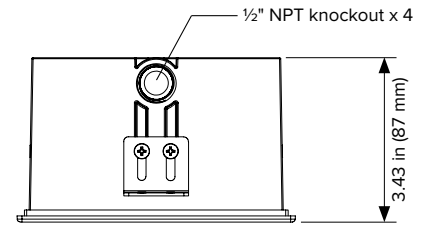
Dimensions



Front View

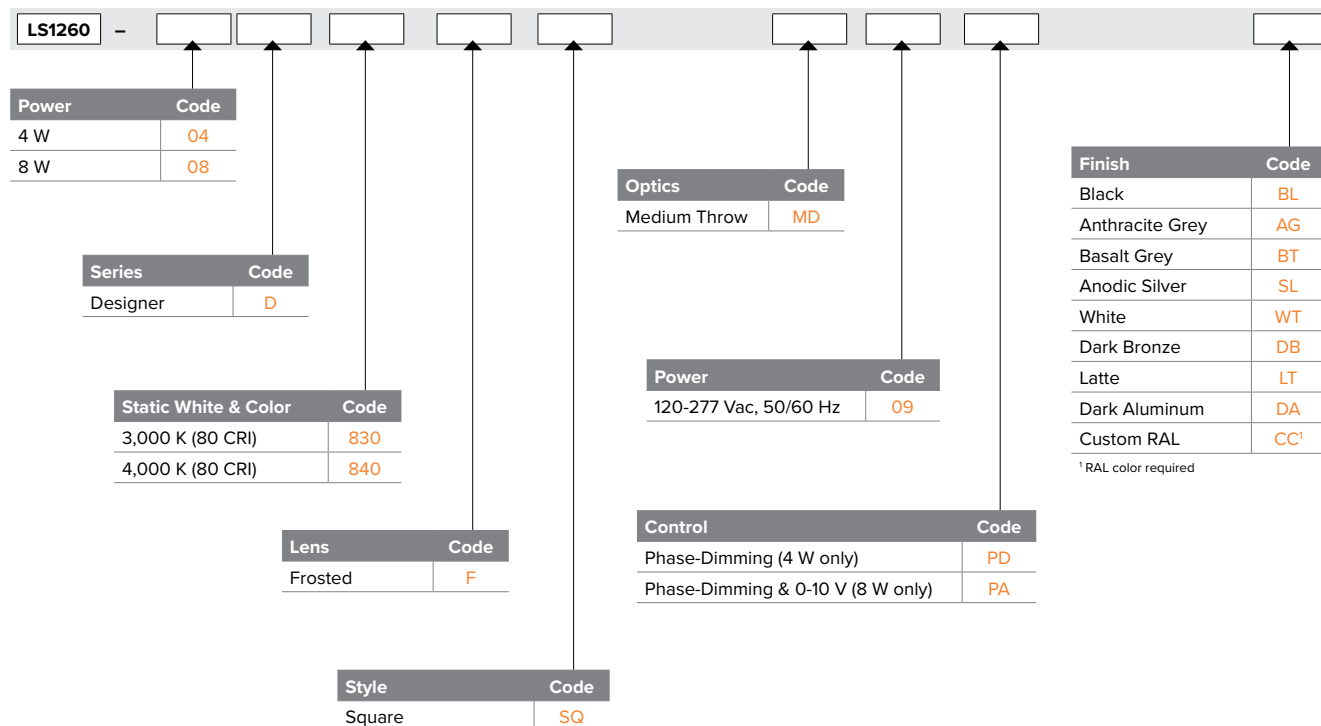


Side View



Top View

Specification Matrix



Accessories

Mounting Kit

A mounting kit for the Nook NK2 contains 4 x 1/2" knockouts and has a depth of 3.3" (84 mm).

MKBEZ02 Pre-Install Kit
 An essential kit to assist with pre-install.

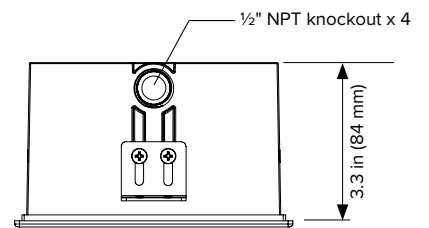
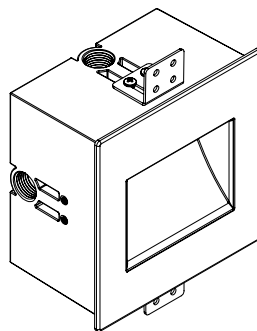


Please Note:
 The pre-install kit is required and specified separately.

Specification Matrix

LS6332	
Mounting	Code
Pre-Install Kit	LS6332

Technical Drawings



Wire Colors & Designations

Mains Voltage – North American Market

