



A high performance exterior grade architectural outliner featuring a UV protected polymer tube diffuser. Designed for direct view, the luminaire has excellent light blending properties ensuring uniformity when it comes to color brightness and blending. Control, addressing and monitoring is via full DMX/RDM using Lumascape **PowerSync™**. RDM addressing means that fixtures can be installed in any order and swapped in and out at will. Addressing can be done prior to or after installation. Perfect for simple outlining or highly dynamic effects.

**Performance**

Static White & Color <sup>1</sup>	Lumen Output (lm)	Efficacy (lm/W)
● 2,700 K (80 CRI)	1,910	80
● 3,000 K (80 CRI)	2,060	86
○ 3,500 K (80 CRI)	1,780	74
● 4,000 K (80 CRI)	2,220	93
● 5,000 K (80 CRI)	1,780	74
● Red	480	20
● Green	1,800	75
● Royal Blue	880	37

<sup>1</sup> Static white lumen output values are based on 6 W/ft, 4 ft luminaire.

Dynamic Color <sup>2</sup>	Lumen Output (lm)	Efficacy (lm/W)
● RGBA	1,120	47
● RGBW with Royal Blue	1,430	60

<sup>2</sup> Dynamic Color lumen output values are based on 6 W/ft, 4 ft luminaire.

Tunable White	Lumen Output (lm)	Efficacy (lm/W)
● 2,700 K - 6,500 K	1,910	80



**Electrical**

<b>LED Power</b>	6 W/ft, 4 W/ft
<b>Power Consumption</b>	6.5 W/ft, 4.5 W/ft
<b>Lifetime (L70)</b>	> 60,000 hrs (B10, L70, TM21)
<b>Input Voltage</b>	Low Voltage 30-48 Vdc
<b>Thermal Management</b>	<b>CoolDrive™</b> onboard thermal monitoring and control

**Control**

<b>Interface</b>	Lumascap <b>PowerSync™</b>
<b>Protocols<sup>1</sup></b>	DMX/RDM, ArtNet, PWM <sup>2</sup> , 0-10 V (sink or source) <sup>2</sup>
<b>PWM Frequency</b>	10 kHz flicker-free dimming to 0.1%
<b>Control Resolution</b>	19 mm (0.75"), 75 mm (3.0"), 150 mm (6.0"), 300 mm (12.0") and full luminaire Configurable via RDM
<b>Systems</b>	Range of third-party controllers

<sup>1</sup> Some protocols require additional hardware. For more information and other available protocols contact Lumascap.

<sup>2</sup> Not available for color-changing.

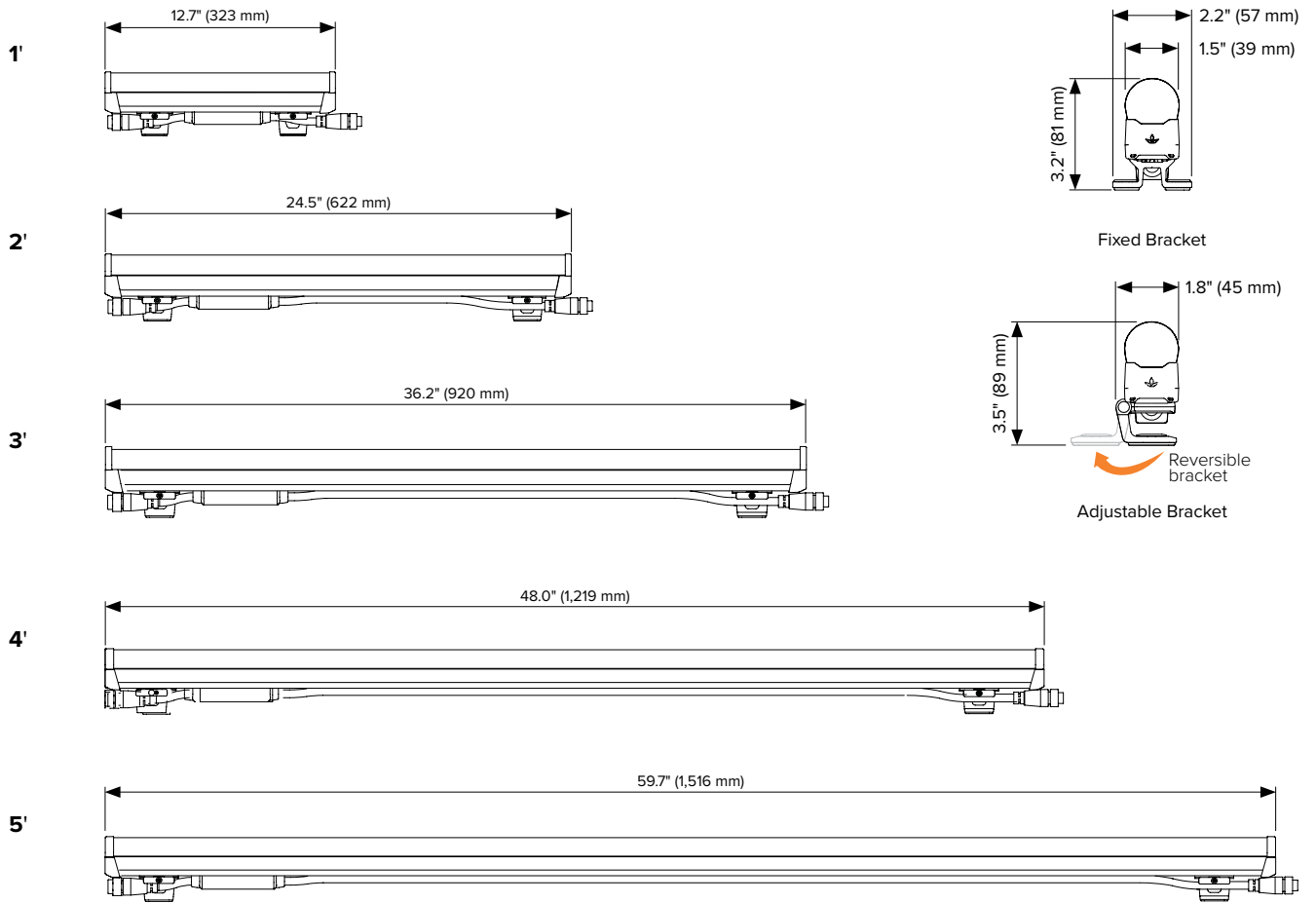
**Physical**

<b>Housing</b>	Marine-grade extruded aluminum with UV protected and stabilized polycarbonate tube
<b>Finish</b>	Anodized aluminum or superior 9-step powder-coating process, including marine-grade epoxy undercoat and polyester top coat
<b>Installation</b>	Surface-mounted
<b>Adjustable</b>	A range of mounting options available
<b>Ambient Operating Temperature</b>	-40 °F to 122 °F (-40 °C to 50 °C)
<b>Surface Temperature</b>	≤95 °F (35 °C)
<b>Weight</b>	3.3 lbs (1.5 kg) for 4 ft section
<b>Effective Projected Area</b>	0.7 ft <sup>2</sup> (690.8 cm <sup>2</sup> ) for 4 ft section

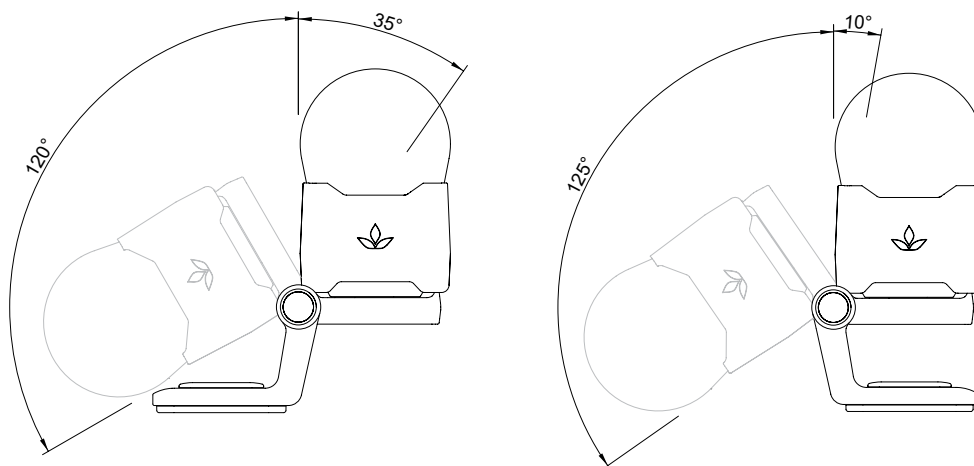
**Certification & Compliance**

<b>IP Rating</b>	IP66 / IP67 (IP68 tested)
<b>IK Rating</b>	IK10
<b>Environment</b>	Dry, Damp, Wet locations
<b>Certifications</b>	ETL (pending), CE, RCM

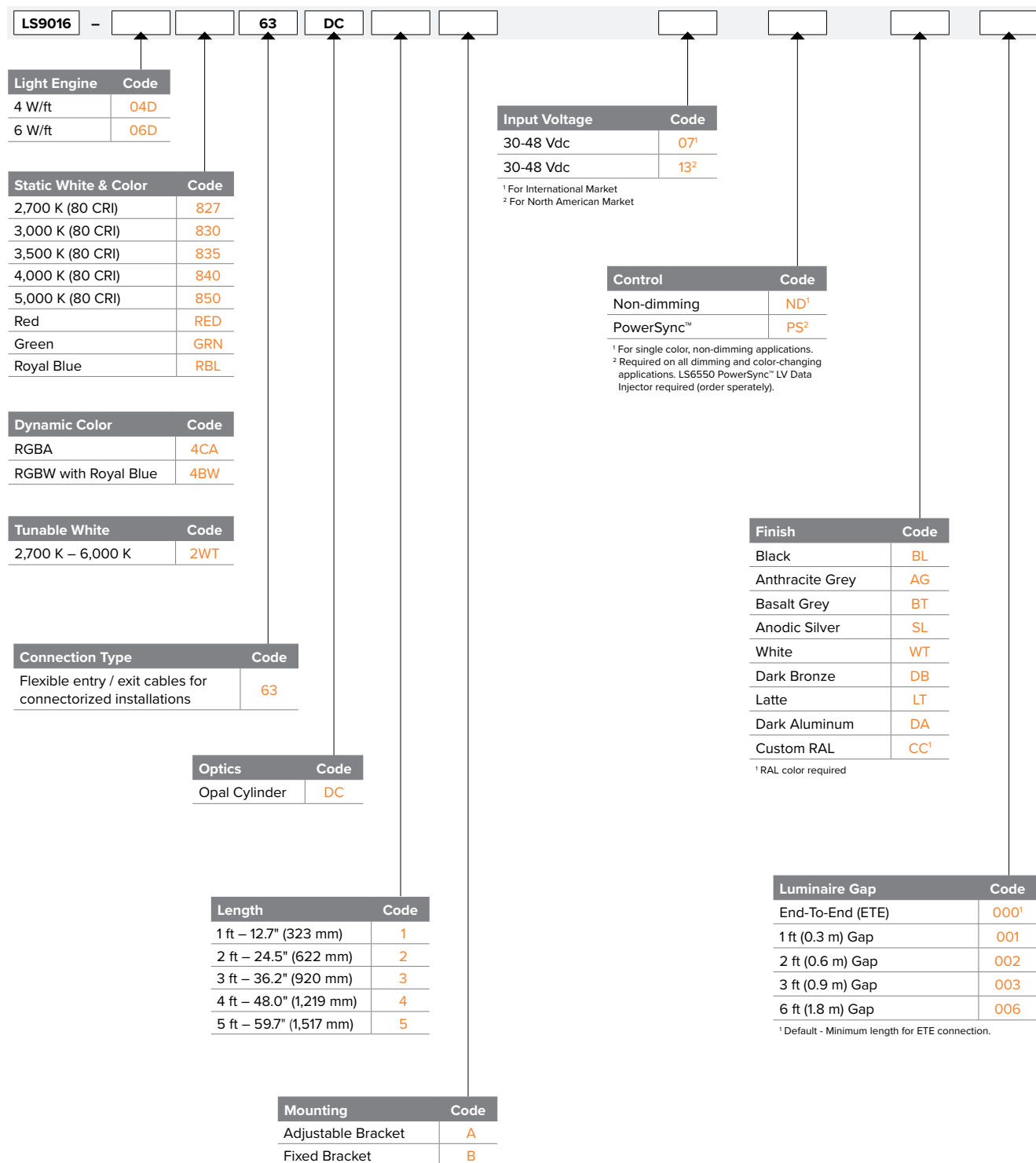
Dimensions



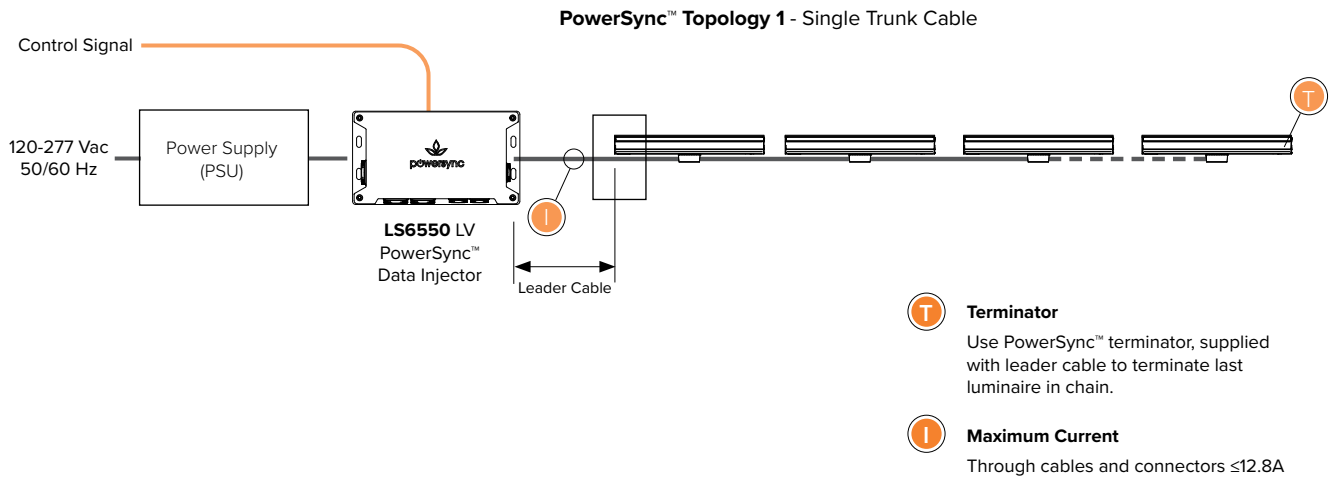
Luminaire Rotation



Specification Matrix



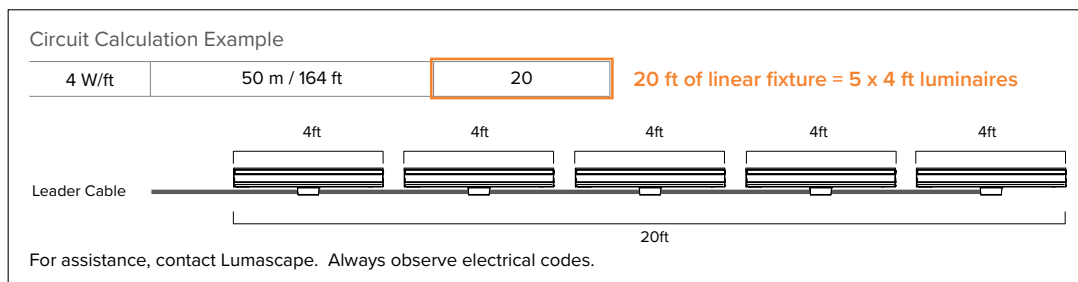
Network Topology – Low Voltage PowerSync™



Up to 24 luminaires per 48V PowerSync™ circuit / LS6550 Low Voltage PowerSync™ Data Injector

Maximum Circuit Loading - Single Run						
LED Power	Max Leader Cable Length from LS6550 to first fitting	Feet of Linear luminaire per 48 V Power Supply				
		120 W	240 W	320 W	480 W	600 W
4 W/ft	15 m / 50 ft	20	44	56	80	96
	30 m / 98 ft	20	44	56	76	88
	50 m / 164 ft	20	40	52	64	72
6 W/ft	15 m / 50 ft	14	28	36	56	64
	30 m / 98 ft	14	28	36	48	56
	50 m / 164 ft	14	26	34	44	48

Values in the above table show the maximum circuit loading per 48V circuit. Values are based on end to end spacing (ETE). Extended fixture cables, inclusion of jumper cables, or longer leader cable will effect loading. Circuits can be made up of up to 24 fixtures in any length, up to the maximum circuit loading in the table above. Circuits are limited to maximum 12.8A. For non-continuous runs, contact Lumascape for details. To calculate the maximum number of interconnected luminaires per run / circuit, see example below.



Control Resolution

Pixel Size	DMX Channel Allocation														
	RGBA / RGBW					Single Colour					Tunable White				
	1 ft	2 ft	3 ft	4 ft	5 ft	1 ft	2 ft	3 ft	4 ft	5 ft	1 ft	2 ft	3 ft	4 ft	5 ft
Full Fixture	4	4	4	4	4	1	1	1	1	1	2	2	2	2	2
300 mm / 12.0"	4	8	12	16	20	1	2	3	4	5	2	4	6	8	10
150 mm / 6.0"	8	16	24	32	40	2	4	6	8	10	4	8	12	16	20
75 mm / 3.0"	16	32	48	64	80	4	8	12	16	20	8	16	24	32	40
19 mm / 0.75"	64	128	192	256	320	16	32	48	64	80	32	64	96	128	160

Extra channels required when enabling optional Advanced Control Modes.  
 • Variable Dimming Smoothness Mode - requires 1 extra channel per luminaire  
 • Variable Dimming Smoothness + Strobe Mode - requires 3 extra channels per luminaire

PowerSync™ Connectorized Accessories

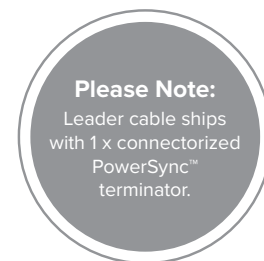
**Leader Cables – PowerSync™ Low Voltage (For Connection Type 63 or 67 Only)**

3-core 16 AWG / 1.5mm<sup>2</sup> for use in CE/CCC and UL installations. Compatible with all luminaires with Type 63 or 67 connectorized supply cable options. Supplied fitted with an IP68 connector for pairing with the first connectorized luminaire in a Powersync™4, Low Voltage circuit. Comes complete with a matching End of Circuit, Powersync™4, low voltage terminator plug.



Cable Type	Code
1.5 mm <sup>2</sup>	LS6426

Length	Code
10 ft (3 m)	010
16 ft (5 m)	016
50 ft (15 m)	050
66 ft (20 m)	066
98 ft (30 m)	098



**Jumper Cables – PowerSync™ Low Voltage (For Connection Type 63 or 67 Only)**

3-core 16 AWG / 1.5 mm<sup>2</sup> for use in CE/CCC and UL installations. Compatible with all Luminaires with Type 63 or 67 connectorized supply cable options. Supplied fitted with an IP68 connectors for joining between connectorized luminaires in a Powersync™4, low voltage circuit.



Cable Type	Code
1.5 mm <sup>2</sup>	LS6427

Length	Code
1 ft (0.3 m)	001
2 ft (0.6 m)	002
3 ft (1 m)	003
6 ft (2 m)	006
16 ft (5 m)	016
33 ft (10 m)	033
50 ft (15 m)	050
66 ft (20 m)	066
98 ft (30 m)	098

PowerSync™ Connectorized Accessories

**Terminator (Hardwired Installation)**

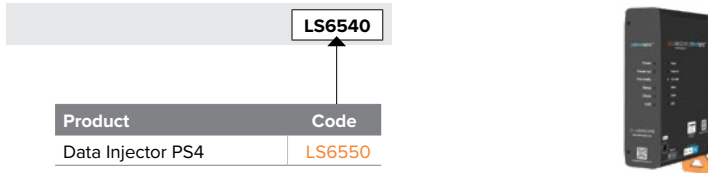
Used in hardwired PowerSync™ installations.

Terminator	Code
PowerSync™ Terminator Connectorized, Extra Low Voltage (CCC, CE, UL)	LS6437

**Please Note:**  
Terminator ships with every LS6550. Order separately for spare parts only.

**PowerSync™ Data Injector**

Translates control signals into a digital format, delivering integral power and data to intelligent LED luminaires. This allows highly-granular addressing and high-speed digital control of every luminaire, using only three wires. The data injector is DIN rail mountable designed to be installed in a switchboard, next to the power supply and circuit breaker that is supplying power to the controlled lighting circuit. Accepts a growing list of standard protocols (0-10 V, DMX/RDM) for simple integration with a wide selection of control systems using these industry standard protocols.



Wire Colours & Designations

**Low Voltage**

Designation	Colour
Positive	Red
Negative	Black
Data	Orange

