



Strength, versatility, and unmatched style come together in the Nook NK4 recessed wall light, producing a uniquely crafted luminaire that complements traditional, modern, and classical architecture and brings a layer of elegance to any commercial space.

Performance (Static White)<sup>1</sup>

Watts Option	Total Deliver Lumens			Efficacy (lm/W)	Peak Intensity (cd)		
	Short	Medium	Long		Short	Medium	Long
8 W	389	502	593	81	298	304	306
11 W	550	688	820	72	408	417	420
15 W	749	930	1,190	73	561	570	576
25 W	1,162	1,491	1,755	69	870	897	901

<sup>1</sup> Static white lumen output values are based on a 3,000 K CCT

Electrical

<b>Wattage Configuration</b>	8 W	11 W	15 W	25 W
<b>Input Watts</b>	7.6	10.9	15.3	24.5
<b>Power Consumption (VA)</b>	7.9	11.2	15.6	24.8
<b>Lifetime</b>	>50,000 hrs (B10, L70)			
<b>Input Voltage</b>	120 Vac/dc, 60 Hz (UL) 110-277 Vac/dc, 60 Hz (UL) 220-240 Vac/dc, 50 Hz (CE)			
<b>Thermal Management</b>	CoolDrive™ onboard thermal monitoring and control			

Control

<b>Dimming</b>	Phase: 120 Vac/dc, 60 Hz 0-10 V: 110-277 Vac/dc, 60 Hz 0-10 V: 220-240 Vac/dc, 50 Hz
<b>Systems</b>	Range of third-party controllers

Physical

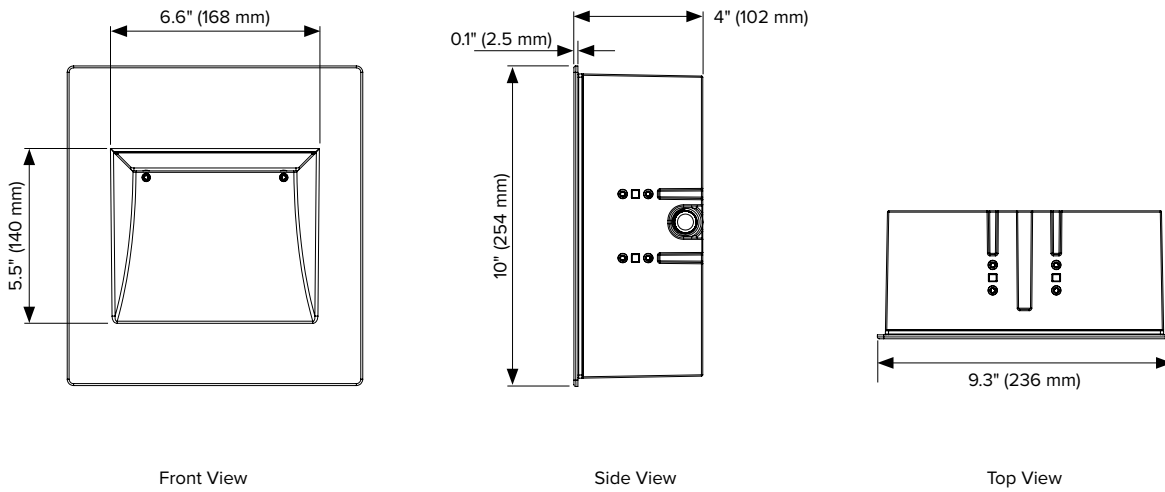
<b>Housing</b>	Die-case aluminium A380 faceplate and housing, polycarbonate construction sleeve with stainless steel hardware.
<b>Wiring</b>	UL1015 105C 600 V; 18/3 for phase dim driver and 18/5 for 0-10 V driver
<b>LED</b>	Integrated Xicato® LED module. Next-Generation Corrected Cold Phosphor Technology® keeps phosphors cool for maintained light quality and very tight color consistency (within 1 x 2 MacAdam ellipses). Up to 100+ lumens per watt at operating conditions. CCT range from 2,700K to 4,000K with outputs between 700 and 2,000 lumens.
<b>Optics</b>	Preinstalled throw settings for short (~8'/2.4 m), medium (~9'/2.7 m), and long (~11'/3.4 m) throw patterns. Setting field serviceable. Average horizontal beam angle is 85°.
<b>Lens</b>	Tempered glass lens with shock resistance and high tolerance for thermal expansion and stress. Glass lens sandblast frosted.
<b>Lamp Compartment</b>	Die-cast aluminum housing with capacity up to 2,000 lumen module. Installation requires no access to LED module, optics, or driver, retaining factory seal for added protection.
<b>Finish</b>	Two-layer protection of sulfuric acid anodization and polyester TGIC powder-coat, providing superior outdoor weathering in all conditions. Tested to ASTM standards.
<b>Alignment</b>	2° in each direction
<b>Installation Requirements</b>	Housing/sleeve designed for recessed application in the upward or downward directions only.
<b>Mounting Kit</b>	Mounting kit required for installation; specified and shipped separately. Specify mounting kit separately using <b>LS6333</b> . Polycarbonate construction sleeve with vertical and horizontal ½" NPT knockouts. Approved for installation in concrete. Construction cover included.
<b>Ambient Operating Temperature</b>	8W: -25°C to 60°C (-13°F to 140°F) 11W: -25°C to 55°C (-13°F to 131°F) 15W: -25°C to 50°C (-13°F to 122°F) 25W: -25°C to 45°C (-13°F to 113°F)
<b>Weight</b>	8.2 lbs (3.7 kg)

Certification & Compliance

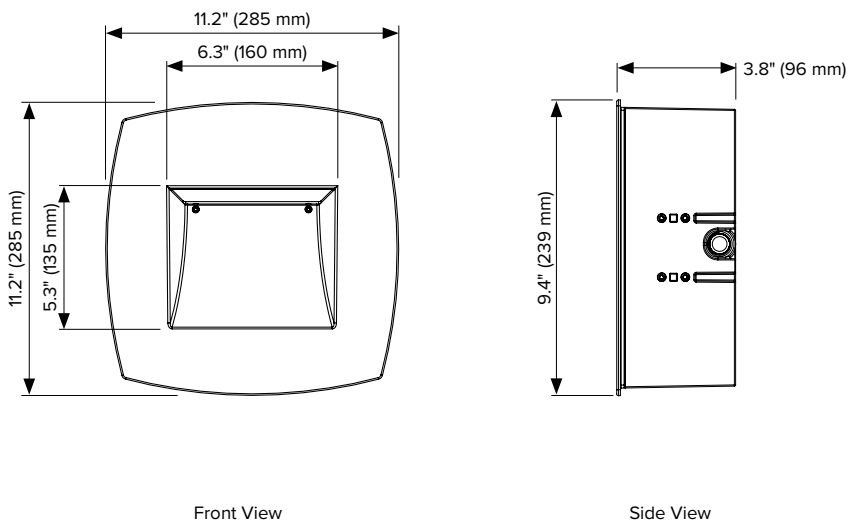
<b>IP Rating</b>	IP65
<b>IES Classification</b>	Type II or Type III
<b>Environment</b>	Dry, Damp, Wet locations
<b>Certifications</b>	UL, CE

Dimensions

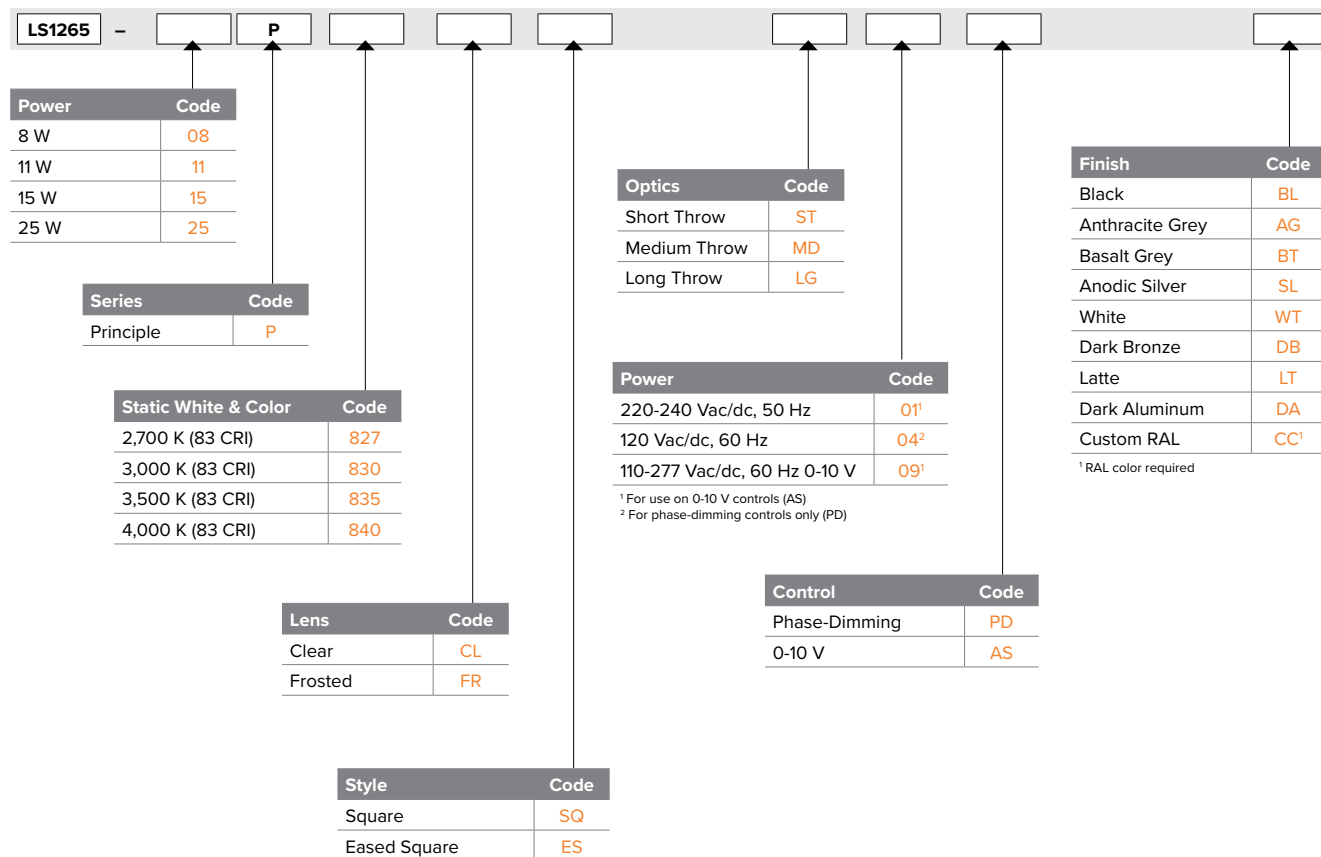
Square Style



Eased Square Style



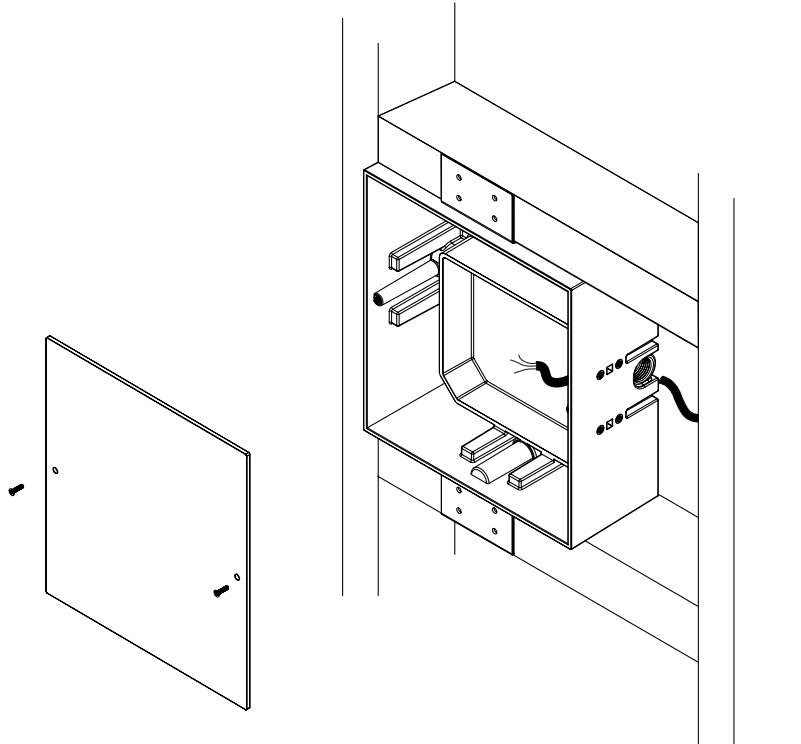
Specification Matrix



Accessories

**Pre-Installation Kit**

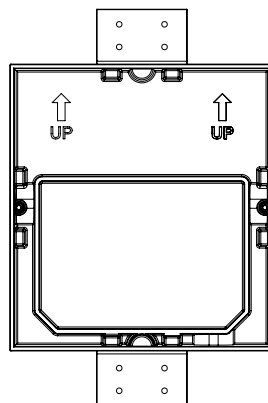
A pre-installation mounting kit suitable for use on the Nook NK4 recessed wall light.



Specification Matrix

<b>LS6333</b>	
↑	
Mounting	Code
Pre-Install Kit	LS6333

Technical Drawings



Wire Colors & Designations

**Mains Voltage – International Market**

Designation	Color
Active	Brown
Neutral	Blue
Earth	Green / Yellow
0-10 V –	Black
0-10 V +	Grey



**Mains Voltage – North American Market**

Designation	Color
Line	Black
Neutral	White
Ground	Green
0-10 V –	Grey
0-10 V +	Purple

