



A compact, high-performance linear grazer luminaire that combines technology and performance in a stylish design. Packed with features such as **EasyGlow™** providing visual comfort technology, and the incredibly flexible adjustable and reversible constant torque bracket system. The L3 Lite is controllable as a full fixture through the use of **PowerSync™** and provides superb color-over-angle consistency and blending of colors even at close blending distances.

Performance

Static White & Color ¹	Lumen Output (lm)	Efficacy (lm/W)	Peak Intensity (cd)
● 2,700 K (80 CRI)	3,360	77	123,900
● 3,000 K (80 CRI)	3,660	84	134,900
○ 3,500 K (80 CRI)	3,810	87	140,400
● 4,000 K (80 CRI)	3,962	91	145,900
● 5,000 K (70 CRI)	3,660	84	134,900
● Red	970	27	35,600
● Green	3,850	89	141,800
● Blue	970	22	35,600

¹ Static white lumen output values are based on 9 W/ft, 4 ft luminaire with 6° lens.

Dynamic Color ²	Lumen Output (lm)	Efficacy (lm/W)	Peak Intensity (cd)
● RGB	1,940	44	52,800
● RGB with Royal Blue	1,980	45	63,900

² Dynamic Color lumen output values are based on 9 W/ft, 4 ft luminaire with 6° lens.

Beam Angles	6°, 15°, 30°, 45°, 60°, 10° x 40°, 20° x 40°, 10° x 60°, 20° x 60°
-------------	--



Electrical

LED Power	9 W / ft
Power Consumption	27 W (2 ft), 47 W (4 ft)
Lifetime (L70)	> 60,000 hrs (B10, L70, TM21)
Input Voltage	120-277 Vac, 50/60 Hz
Thermal Management	CoolDrive™ onboard thermal monitoring and control

Control

Interface	Lumascape PowerSync™
Protocols¹	DMX/RDM, Artnet (Ethernet Based), PWM ² , 0-10 V (sink or source) ² , Phase Dimming ²
PWM Frequency	2 kHz flicker-free dimming to 0.1%
Control Resolution	Full luminaire Configurable via RDM
Systems	Range of third-party controllers

¹ Some protocols require additional hardware. For more information and other available protocols contact Lumascape.

² Not available for color-changing or tunable white.

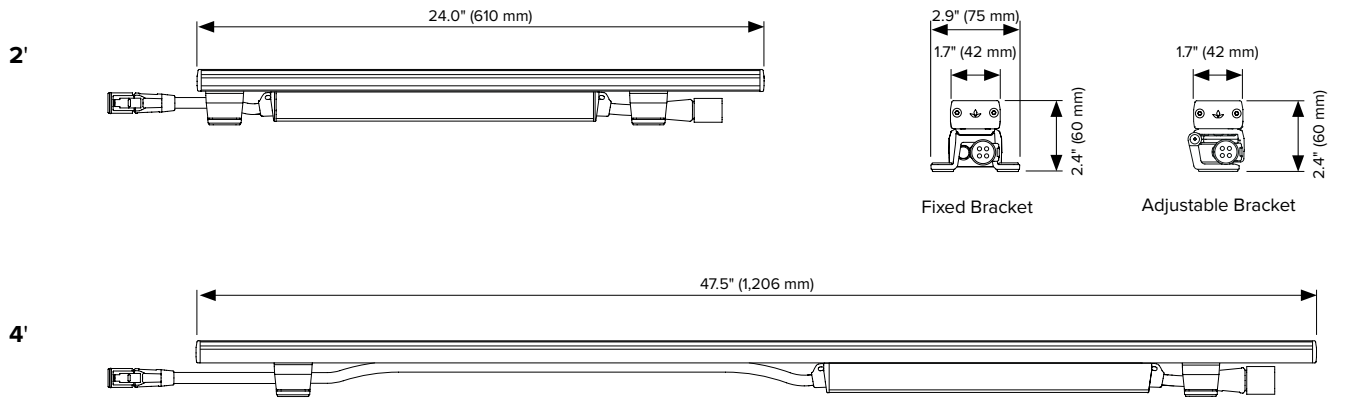
Physical

Housing	Marine-grade extruded aluminum with tempered glass lens
Finish	Superior 9-step powder-coating process, including marine-grade epoxy undercoat and polyester top coat
Installation	Surface-mounted with included galvanic isolator
Adjustable	Multi-positional, constant torque locking bracket
Ambient Operating Temperature	-40 °F to 122 °F (-40 °C to 50 °C)
Surface Temperature	≤122 °F (50 °C)
Weight	6.2 lbs (2.8 kg) for 4 ft section
Effective Projected Area	0.5 ft ² (484.8 cm ²) for 4 ft section

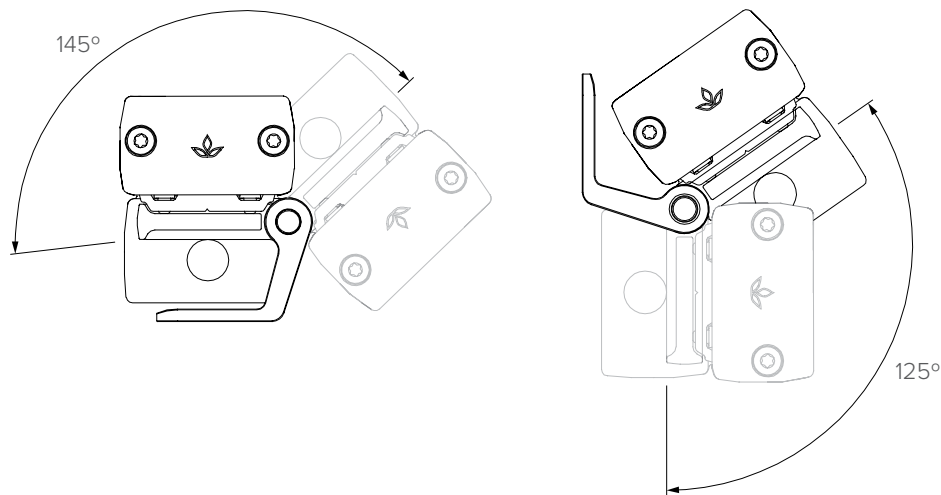
Certification & Compliance

IP Rating	IP66 / IP67 (Passes IP68 Test)
IK Rating	IK6
Vibration Resistance	3G Rating (ANSI C136.31)
Environment	Dry, Damp, Wet locations
Certifications	ETL, CE, RCM

Dimensions



Luminaire Rotation



Accessories

Shielding & Glare Control

A variety of shielding and glare control options are available for the Linealux L3 Lite Series. Glare control accessories are available in 2 ft and 4 ft length options to suit base luminaires.

External / Slatted Louvre

LS6237 - []

Visor Length	Code
2 ft	2
4 ft	4



External Shield / Visor 1-sided

LS6238 - [] - []

Visor Length	Code	Finish	Code
2 ft	2	Black	BL
4 ft	4	Anthracite Grey	AG
		Basalt Grey	BT
		Anodic Silver	SL
		White	WT
		Dark Bronze	DB
		Latte	LT
		Dark Aluminum	DA
		Custom RAL	CC ¹

¹ RAL color required



External Shield / Visor 3-sided

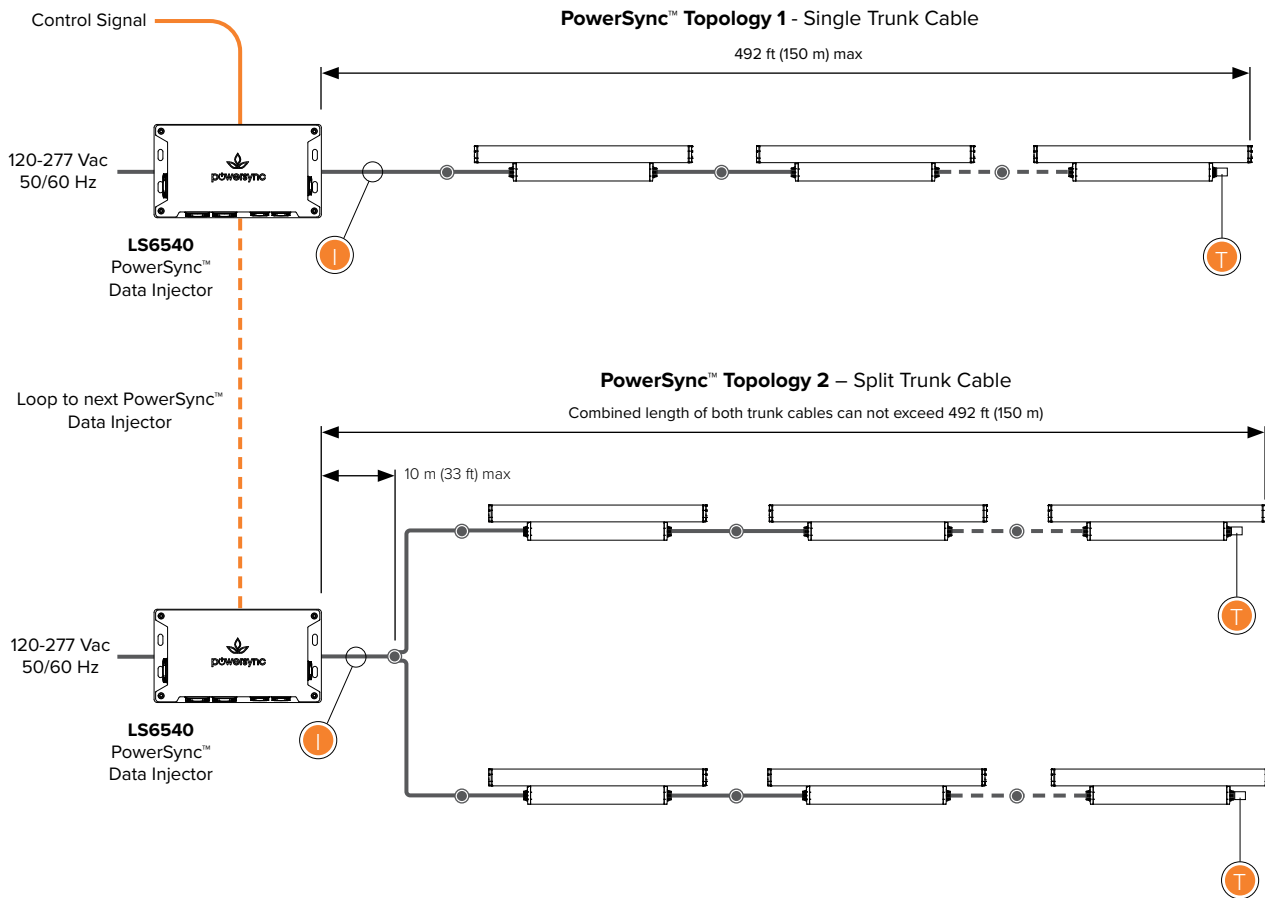
LS6239 - [] - []

Visor Length	Code	Finish	Code
2 ft	2	Black	BL
4 ft	4	Anthracite Grey	AG
		Basalt Grey	BT
		Anodic Silver	SL
		White	WT
		Dark Bronze	DB
		Latte	LT
		Dark Aluminum	DA
		Custom RAL	CC ¹

¹ RAL color required



Network Topology – Dimming and Color-Changing via PowerSync4™



Up to 45 luminaires per run under the following conditions:

- Max total cable run length 492 ft (150 m) in up to two trunk cables.
- For run lengths in excess of 100 ft (30 m), the data wire gauge cannot exceed 14 AWG (2.5 mm²).
- For run lengths up to 100 ft (30 m), the data wire gauge is not governed.
- Refer to 'Maximum Circuit Load' table for circuit limitations.
- Always observe local electrical codes for branch circuit current limitations.

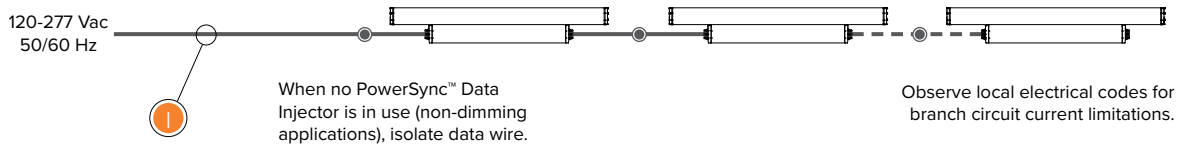
Maximum Circuit Load

Maximum Number of Fixtures per Circuit						
Luminaire Length	120V		240V		277V	
	Maximum Current					
	12.8 A	16 A	12.8 A	16 A	12.8 A	16 A
2 ft (610 mm)	45	45	45	45	45	45
	40	45	45	45	45	45
4ft (1,206 mm)	42	42	45	45	45	45
	20	26	40	45	45	45

Refer to PowerSync™ installation instructions for maximum distance information and topology options. All connectorized options in North America are limited to 12.8A branch circuit load. Above circuit loading limits are based on maximum circuit current capacity and PowerSync™ control capacity. Cumulative earth leakage and voltage drop may need to be calculated. For non-continuous runs contact factory for details. Local wiring rules and requirements may limit circuit loadings refer to relevant electrical parameters to calculate.

- T Terminator**
Use PowerSync™ terminator, supplied with leader cable to terminate last luminaire in chain.
- I Maximum Current**
Maximum current through cables and connectors supplied by Lumascope:
≤12.8 A – Installations in North American Market (UL, ETL)
≤16 A – Installations in International Market (CE, CCC)
- Connection Type**
Circuits can be configured as either connectorized or hardwired. For details refer to installation instructions and comply with local electrical codes.

Network Topology – Non-Dimmable



Up to 45 luminaires per run under the following conditions:

- Refer to 'Maximum Circuit Load' table for circuit limitations.
- Always observe local electrical codes for branch circuit current limitations.



Maximum Current

Maximum current through cables and connectors supplied by Lumascape:
 ≤12.8 A – Installations in North American Market (UL, ETL)
 ≤16 A – Installations in International Market (CE, CCC)



Connection Type

Circuits can be configured as either connectorized or hardwired. For details refer to installation instructions and comply with local electrical codes.

Maximum Circuit Load

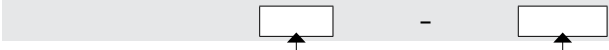
Maximum Number of Fixtures per Circuit						
Luminaire Length	120V		240V		277V	
	Maximum Current					
	12.8 A	16 A	12.8 A	16 A	12.8 A	16 A
2 ft (610 mm)	45	45	45	45	45	45
	40	45	45	45	45	45
4 ft (1,206 mm)	42	42	45	45	45	45
	20	26	40	45	45	45

Refer to PowerSync™ installation instructions for maximum distance information and topology options.
 All connectorized options in North America are limited to 12.8A branch circuit load.
 Above circuit loading limits are based on maximum circuit current capacity. Cumulative earth leakage and voltage drop may need to be calculated.
 For non-continuous runs contact factory for details.
 Local wiring rules and requirements may limit circuit loadings refer to relevant electrical parameters to calculate.

PowerSync™ Connectorized Accessories

Leader Cables – PowerSync™ Line Voltage (For Connection Type 73 or 77 Only)

4-core 1.5 mm² for use in CE/CCC installations. Compatible with all Luminaires with Type 73 or 77 connectorized supply cable options. Supplied fitted with an IP68 connector for pairing with the first connectorized luminaire in a Powersync4, Line Voltage circuit. Comes complete with a matching End of Circuit, Powersync4, Line Voltage, Terminator Plug.



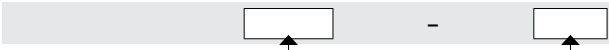
Cable Type	Code	Length	Code
1.5 mm ²	LS6402C	3 m / 10 ft	010
2.5 mm ²	LS6402C-2.5	10 m / 33 ft	032
		15 m / 50 ft	050

Please Note:
Leader cable ships with 1 x connectorized PowerSync™ terminator.

Leader Cables – PowerSync™ Line Voltage Hook-Up Wire (For Connection Type 73 or 77 Only)

4 conductors 14 AWG Hook-Up wires for use in UL installations. Compatible with Type 73 or 77 connectorized supply cable options. Supplied fitted with an IP68 connector for pairing with the first connectorized luminaire in a Powersync4, Line Voltage circuit. Comes complete with a matching End of Circuit, Powersync4, Line Voltage, Terminator Plug.

For use in North America ONLY



Cable Type	Code	Length	Code
14 AWG 1.5 mm ²	LS6402U	10 ft / 3 m	010
		16 ft / 5 m	016
		50 ft / 15 m	050

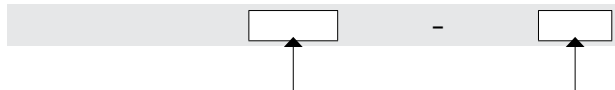
Please Note:
Leader cable ships with 1 x connectorized PowerSync™ terminator.

PowerSync™ Connectorized Accessories

Jumper Cables – PowerSync™ Line Voltage (For Connection Type 73 or 77 Only)

4-core 1.5 mm² or 2.5 mm² cable for use in CE/CCC installations. Compatible with all Luminaires with Type 73 or 77 connectorized supply cable options. Supplied fitted with an IP68 connector for extending between luminaires in a Powersync4, Line Voltage circuit where the input and output cables on a luminaire are not sufficient for placement of the luminaires.

Not suitable for use in North America




Cable Type	Code	Length	Code
1.5 mm ²	LS6404C	0.3 m / 1 ft	001
2.5 mm ²	LS6404C-2.5	0.6 m / 2 ft	002
		1 m / 3 ft	003
		1.2 m / 4 ft	004
		2 m / 6 ft	006
		3 m / 10 ft	010
		5 m / 16 ft	016
		8 m / 26 ft	026
		10 m / 33 ft	032
		15 m / 50 ft	050

Jumper Cables – PowerSync™ Line Voltage (For Connection Type 73 or 77 Only)

4-core 16 WAG for use in UL installations. Compatible with all Luminaires with Type 73 or 77 connectorized supply cable options. Supplied fitted with an IP68 connector for extending between luminaires luminaire in a Powersync4, Line Voltage circuit where the input and output cables on a luminaire are not sufficient for placement of the luminaires.

For use in North America



Cable Type	Code	Length	Code
16 AWG	LS6404U	1 ft / 0.3 m	001
		2 ft / 0.6 m	002
		3 ft / 1 m	003
		4 ft / 1.2 m	004
		6 ft / 2 m	006
		10 ft / 3 m	010
		16 ft / 5 m	016
		26 ft / 8 m	026
		33 ft / 10 m	032
		50 ft / 15 m	050

PowerSync™ Connectorized Accessories

Terminator (Hardwired Installation)

Used in hardwired PowerSync™ installations.

Terminator	Code
DMX Terminator Hardwired (CCC, CE, UL)	LS6407
PowerSync™ Terminator Hardwired, Mains / Low Voltage (CCC, CE)	LS6406-01
PowerSync™ Terminator Hardwired, Mains / Low Voltage (UL)	LS6406-09
PowerSync™ Terminator Connectorized, Mains Voltage (CCC, CE, UL)	LS6417



PowerSync™ Data Injector

Combines the convenience of standard wiring methods to translate control signals into a digital format that can be transmitted over standard copper wire. This allows highly granular addressing and high-speed digital control of every luminaire, using only four wires and accepts a growing list of standard protocols (0-10V, DMX / RDM), for simple integration with a wide selection of control systems using these industry standard protocols.

Product	Code
Data Injector PS4	LS6540



PowerSync™ Y-Connectors

4 x 1.5mm² or 2.5mm² mains voltage Y-Connectos with Souriau plug for use in CE/CCC installations.

Not suitable for use in North America

Product	Code
1.5mm ²	LS6425C
2.5mm ²	LS6425C-2.5



Wire Colors & Designations

Mains Voltage – International Market

Designation	Color
Active	Brown
Neutral	Blue
Earth	Green / Yellow
Data	Black



Mains Voltage – North American Market

Designation	Color
Active	Black
Neutral	White
Earth	Green / Yellow
Data	Grey or Red

