



A high performance exterior grade architectural outliner featuring a flat glass diffuser. Designed for direct view, the luminaire has excellent light blending properties ensuring uniformity when it comes to color brightness and blending. Control, addressing and monitoring is via full DMX/RDM through the Lumascape **PowerSync™** Data Injector. RDM addressing means that fixtures can be installed in any order and swapped in and out at will.

Performance

Static White & Color ¹	Lumen Output (lm)	Efficacy (lm/W)
● 2,700 K (80 CRI)	1,550	59
● 3,000 K (80 CRI)	1,660	63
○ 3,500 K (80 CRI)	1,660	63
● 4,000 K (80 CRI)	1,940	74
● 5,000 K (80 CRI)	1,790	68
● Red	570	28
● Green	1,430	53
● Royal Blue	–	–

¹ Static white lumen output values are based on 7 W/ft, 4 ft luminaire, 20° x 80° lens.

Dynamic Color ²	Lumen Output (lm)	Efficacy (lm/W)
● RGBA	1,130	43
● RGBW with Royal Blue	1,070	40

² Dynamic Color lumen output values are based on 7 W/ft, 4 ft luminaire, 20° x 80° lens.

Tunable White ³	Lumen Output (lm)	Efficacy (lm/W)
● 2,700 K – 6,500 K	1,670	64

³ Tunable White lumen output values based on 7 W/ft, 4 ft luminaire, 20° x 80° lens.



Electrical

LED Power	6 W/ft, 4 W/ft
Power Consumption	7 W/ft, 5 W/ft
Lifetime (L70)	> 60,000 hrs (B10, L70, TM21)
Input Voltage	Low Voltage 30-48 Vdc
Thermal Management	CoolDrive™ onboard thermal monitoring and control

Control

Interface	Lumascap PowerSync™
Protocols¹	DMX/RDM, Artnet ¹
PWM Frequency	10 kHz flicker-free dimming to 0.1%
Control Resolution	19 mm (¾"), 75 mm (3.0"), 150 mm (6.0"), 300 mm (12.0") and full luminaire Configurable via RDM
Systems	Range of third-party controllers

¹ Some protocols require additional hardware, contact Lumascap for more information.

Physical

Housing	Marine-grade extruded aluminum with Tempered OptiClear™ Glass Lens
Finish	Superior 9-step powder-coating process, including marine-grade anodized undercoat and polyester top coat
Installation	Surface-mounted
Ambient Operating Temperature	-40 °F to 122 °F (-40 °C to 50 °C)
Surface Temperature	≤ 95 °F (35 °C)
Weight	3.5 lbs (1.6kg) for 4 ft section
Effective Projected Area	0.5 ft ² (0.4 m ²) for 4 ft section

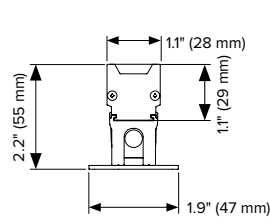
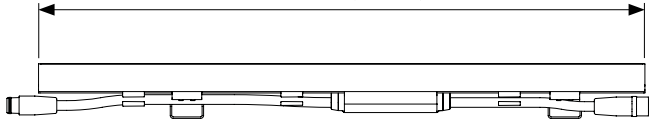
Certification & Compliance

IP Rating	IP66 / IP67 (Passes IP68 Test)
IK Rating	IK6
Vibration Resistance	3G Rating (ANSI C136.31)
Environment	Dry, Damp, Wet locations
Certifications	ETL, CE, RCM

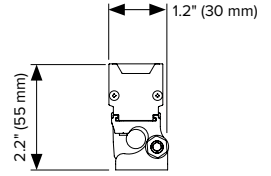
Dimensions

Body Type S: Single Color and Tunable White

- 1 ft – 12.4" (314 mm)
- 2 ft – 24.1" (613 mm)
- 3 ft – 35.9" (912 mm)
- 4 ft – 47.7" (1,211 mm)
- 5 ft – 59.4" (1,510 mm)



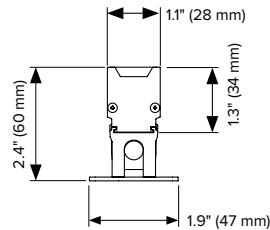
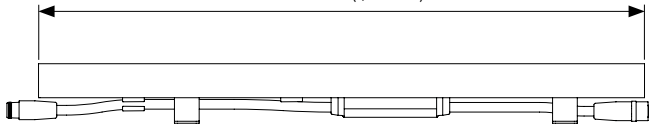
Fixed Bracket



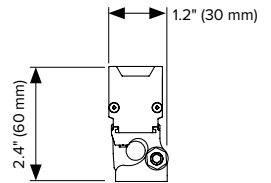
Adjustable Bracket

Body Type T: Dynamic Color RGBW and RGBA

- 1 ft – 12.4" (314 mm)
- 2 ft – 24.1" (613 mm)
- 3 ft – 35.9" (912 mm)
- 4 ft – 47.7" (1,211 mm)
- 5 ft – 59.4" (1,510 mm)



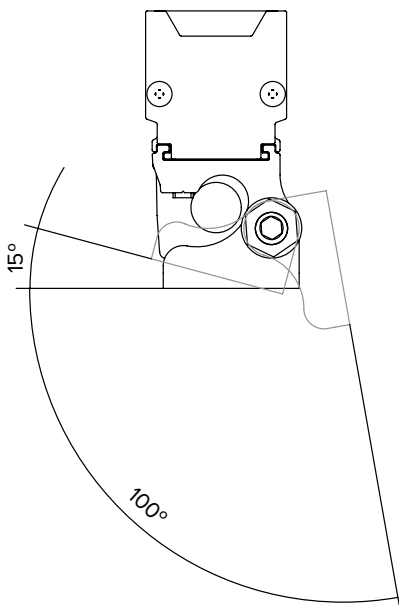
Fixed Bracket



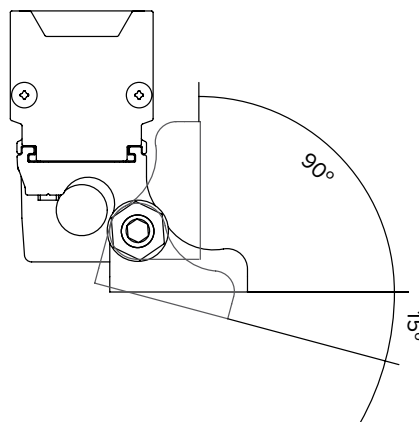
Adjustable Bracket

Luminaire Rotation

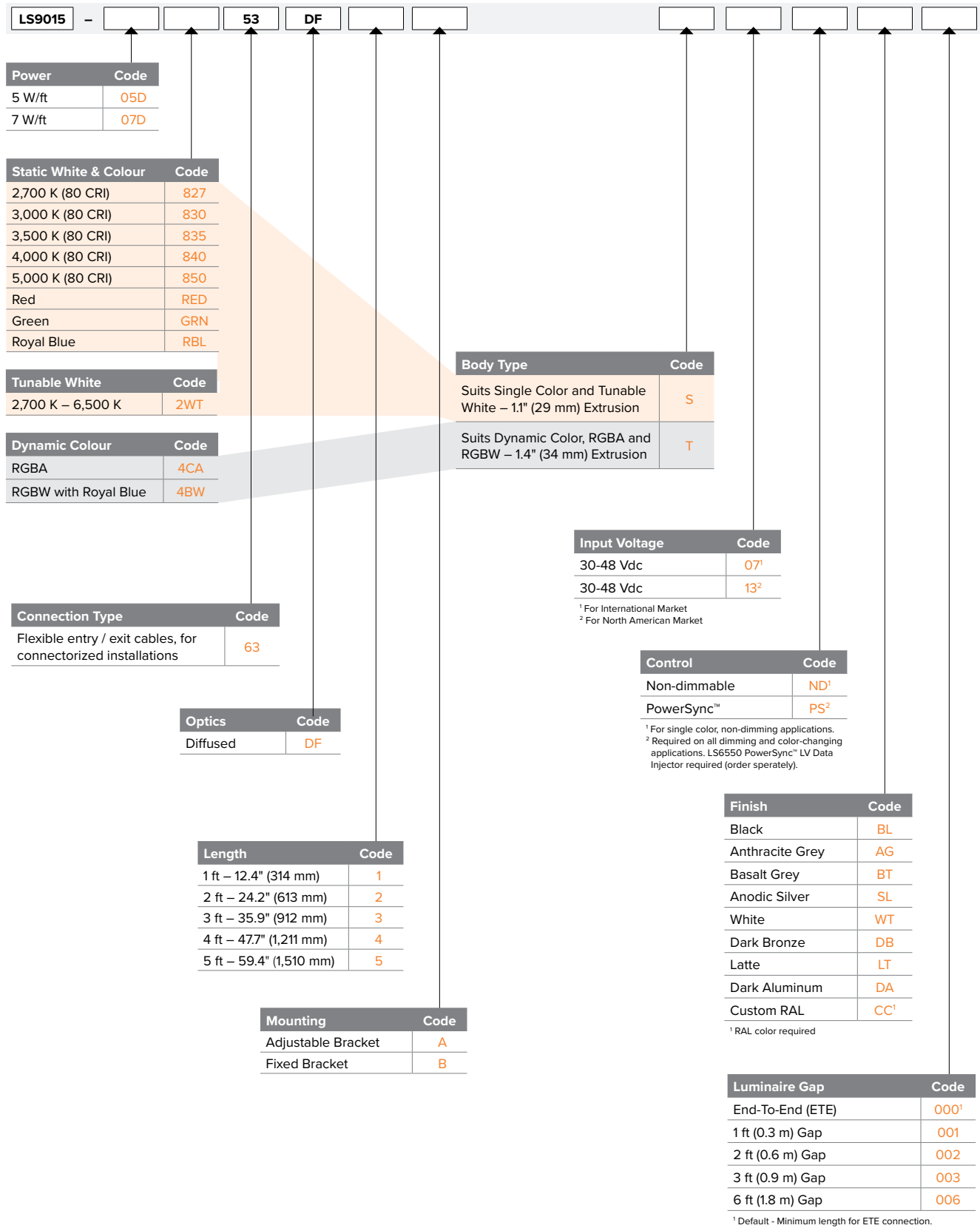
Adjustable Bracket



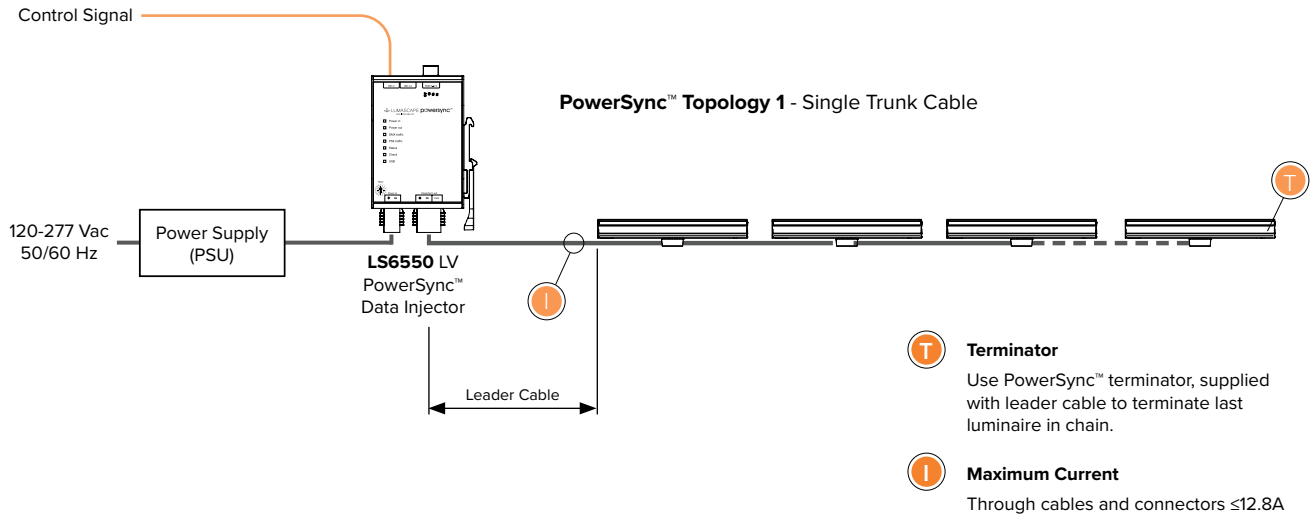
Adjustable Bracket Installed In Alternate Orientation



Specification Matrix



Network Topology – Low Voltage PowerSync™



Up to 24 luminaires per 48V PowerSync circuit / LS6550 Low Voltage PowerSync Injector

Maximum Circuit Loading - Single Run						
Power	Max Leader Cable Length from LS6550 to first fitting	Feet of Linear luminaire per 48 V Power Supply				
		120 W	240 W	320 W	480 W	600 W
5 W/ft	50 ft / 15 m	20	44	56	80	96
	98 ft / 30 m	20	44	56	76	88
	164 ft / 50 m	20	40	52	64	72
7 W/ft	50 ft / 15 m	14	28	36	56	64
	98 ft / 30 m	14	28	36	48	56
	164 ft / 50 m	14	26	34	44	48

Values in the above table show the maximum circuit loading per 48 V circuit. Values are based on end to end spacing (ETE). Extended fixture cables, inclusion of jumper cables, or longer leader cable will effect loading. Circuits can be made up of up to 24 fixtures in any length, up to the maximum circuit loading in the table above. Circuits are limited to maximum 12.8A. For non-continuous runs, contact Lumascape for details. To calculate the maximum number of interconnected luminaires per run / circuit, see example below.

Circuit Calculation Example

5 W/ft 164 ft / 50 m 20 20 ft of linear fixture = 5 x 4 ft luminaires

Leader Cable 20ft

For assistance, contact Lumascape. Always observe electrical codes.

Control Resolution

Pixel Size	DMX Channel Allocation														
	RGBA / RGBW					Single Colour					Tunable White				
	1 ft	2 ft	3 ft	4 ft	5 ft	1 ft	2 ft	3 ft	4 ft	5 ft	1 ft	2 ft	3 ft	4 ft	5 ft
Full Fixture	4	4	4	4	4	1	1	1	1	1	2	2	2	2	2
12.0" / 300 mm	4	8	12	16	20	1	2	3	4	5	2	4	6	8	10
6.0" / 150 mm	8	16	24	32	40	2	4	6	8	10	4	8	12	16	20
3.0" / 75 mm	16	32	48	64	80	4	8	12	16	20	8	16	24	32	40
¾" / 19 mm	64	128	192	256	320	16	32	48	64	80	32	64	96	128	160

Extra channels required when enabling optional Advanced Control Modes.
 • Variable Dimming Smoothness Mode - requires 1 extra channel per luminaire
 • Variable Dimming Smoothness + Strobe Mode - requires 3 extra channels per luminaire

PowerSync™ Connectorized Accessories

Leader Cables – PowerSync™ Extra Low Voltage (For Connection Type 63)

3-core 16 AWG / 1.5mm² for use in CE/CCC and UL installations. Compatible with all luminaires with Type 63 connectorized supply cable option. Supplied fitted with an IP68 connector for pairing with the first connectorized luminaire in a Powersync™4, Low Voltage circuit. Comes complete with a matching End of Circuit, Powersync™4, extra low voltage terminator plug.

LS6426		-	<input type="text"/>		<input type="text"/>	
Cable Type	Code	Control Type	Code	Length	Code	
1.5 mm ²	LS6426	Non-Dimmable	ND	10 ft (3 m)	010	
		PowerSync	PS	16 ft (5 m)	016	
				50 ft (15 m)	050	
				66 ft (20 m)	066	
				98 ft (30 m)	098	

NOTE:
Leader cable ships with one (1) connectorized **LS6437** PowerSync™ terminator.

Jumper Cables – PowerSync™ Extra Low Voltage (For Connection Type 63)

3-core 16 AWG / 1.5 mm² for use in CE/CCC and UL installations. Compatible with all Luminaires with Type 63 connectorized supply cable option. Supplied fitted with IP68 connectors for joining between connectorized luminaires in a Powersync™4, extra low voltage circuit.

LS6427		-	<input type="text"/>	
Cable Type	Code	Length	Code	
1.5 mm ²	LS6427	1 ft (0.3 m)	001	
		2 ft (0.6 m)	002	
		3 ft (1 m)	003	
		6 ft (2 m)	006	
		16 ft (5 m)	016	
		33 ft (10 m)	033	
		50 ft (15 m)	050	
		66 ft (20 m)	066	
		98 ft (30 m)	098	

PowerSync™ Connectorized Accessories

Terminator (Hardwired Installation)

Used in hardwired PowerSync™ installations.

Terminator	Code
PowerSync™ Terminator Connectorized, Extra Low Voltage (CCC, CE, UL)	LS6437

NOTE:

Terminator ships with every **LS6550**. Order separately for spare parts only.

PowerSync™ Data Injector

Translates control signals into a digital format, delivering integral power and data to intelligent LED luminaires. This allows highly-granular addressing and high-speed digital control of every luminaire, using only three wires. The data injector is DIN rail mountable designed to be installed in a switchboard, next to the power supply and circuit breaker that is supplying power to the controlled lighting circuit. Accepts a growing list of standard protocols (0-10 V, DMX/RDM) for simple integration with a wide selection of control systems using these industry standard protocols.

Product	Code
LV Data Injector PS4	LS6550



Wire Colours & Designations

Low Voltage

Designation	Color
+ DC	Red
- DC	Black
Data	Orange

