



A recessed, wall-mounted luminaire that offers beautiful lighting transitions in a compact design. The slender luminaire delivers an optimal amount of light exactly where it is needed. Only the Nook NK2 step light provides every specification needed to satisfy lighting requirements for a luminaire in its class including wide 12' spacing, tamper-resistant features, factory sealed construction, minimal glare, and various configurations to exceed the needs of lighting designers.

Performance

Static White & Color	Wattage Option	Lumen Output (lm)	Efficacy (lm/W)	Peak Intensity (cd)
● 2,700 K (80 CRI)	4 W	420	65	400
	8 W	600	61	564
● 3,000 K (80 CRI)	4 W	410	60	385
	8 W	600	61	558
● 4,000 K (80 CRI)	4 W	410	60	385
	8 W	600	61	560

Beam Angles	Horizontal	Vertical
	Beam (50%): 75°, Field (90%): 120°	Beam (50%): 40°, Field (90%): 75°



Products and specifications are subject to change without notice.
LS1260US-211115

Electrical

LED Power	4 W, 8 W
Power Consumption	< 6 W, < 10 W maximum
Lifetime	> 60,000 hrs (L70, B10)
Input Voltage	120-277 Vac
Thermal Management	CoolDrive™ onboard thermal monitoring and control

Control

Dimming	4 W only: Phase-Dimming (forward or reverse) 8 W only: Phase-Dimming (forward or reverse) & 0-10 V
Systems	Range of third-party controllers

Please Note: Some protocols require additional hardware. For more information and other available protocols, contact Lumascape.

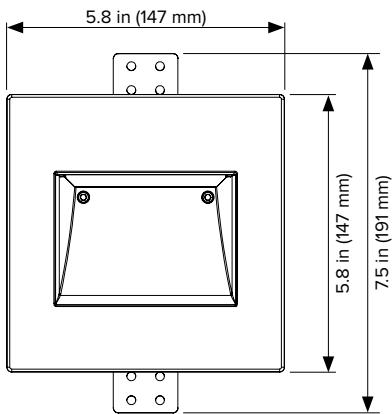
Physical

Housing	Die-cast aluminum A380 faceplate and housing, polycarbonate construction sleeve with stainless steel hardware.
Faceplate	Die-cast aluminum A380 faceplate. Fastener holes located out of sight in most installations.
LED	Lumiled ZES
Optics	Horizontal Beam (50%): 75°, Field (90%): 120° Vertical Beam (50%): 40°, Field (90%): 75°
Lens	Tempered glass lens with shock resistance and high tolerance for thermal expansion and stress. Glass lens sandblast frosted.
Finish	Two-layer, marine-grade protection of sulfuric acid anodization and polyester TGIC powder-coat, providing superior outdoor weathering in all conditions. Tested to ASTM standards.
Installation	Recessed
Installation Requirements	Housing/sleeve designed for recessed applications in the upward or downward directions only. Mounting kit required for installation and shipped separately.
Mounting Kit	Polycarbonate construction sleeve with vertical and horizontal ½" NPT knockouts. Construction cover included. Specify mounting kit separately.
Exposed Dimension	1/8" (3 mm)
Ambient Operating Temperature	-13 °F to 140 °F (-25 °C to 60 °C)
Weight	2.2 lbs (1.0 kg)

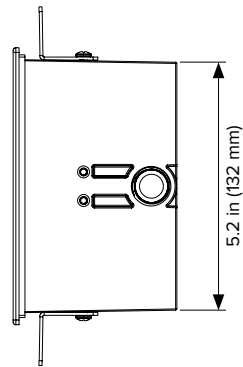
Certification & Compliance

IP Rating	IP66
IK Rating	IK7
Environment	Dry, Damp, Wet locations
Certifications	UL
Bug Rating	B0-U3-G1

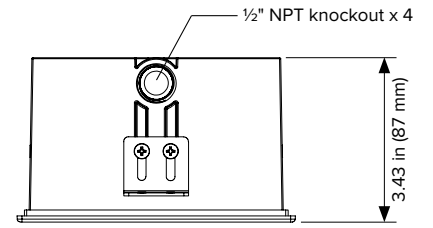
Dimensions



Front View



Side View



Top View

Accessories

Mounting Kit

A mounting kit for the Nook NK2 contains 4 x 1/2" knockouts and has a depth of 3.3" (84 mm).

MKBEZ02 Pre-Install Kit
 An essential kit to assist with pre-install.



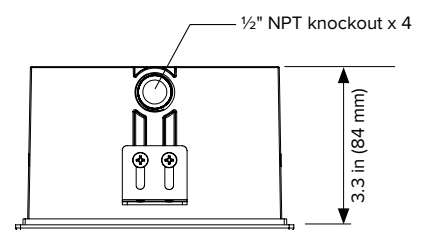
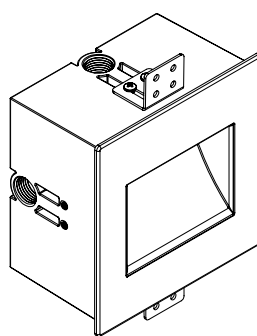
Note:

The pre-installation kit is required specified separately.

Specification Matrix

LS6332	
Mounting	Code
Pre-Install Kit	LS6332

Technical Drawings



Height and Spacing Matrix

Output: 4 W

Mounting Height*	5' (1.5 m) Spacing				6' (1.8 m) Spacing				8' (2.4 m) Spacing				10' (3.0 m) Spacing			
	Min	Ave	Ave/Min	Max/Min	Min	Ave	Ave/Min	Max/Min	Min	Ave	Ave/Min	Max/Min	Min	Ave	Ave/Min	Max/Min
18" (450 mm)	1.0 fc (11 lx)	9.7 fc (104 lx)	9.8	42.1	0.8 fc (9 lx)	7.9 fc (85 lx)	9.4	39	0.2 fc (2 lx)	5.9 fc (64 lx)	25.8	180.5	0.1 fc (1 lx)	5.7 fc (61 lx)	95.5	500+
24" (600 mm)	2.4 fc (26 lx)	9.3 fc (100 lx)	3.8	11.3	1.9 fc (20 lx)	7.7 fc (83 lx)	4.2	12.5	0.4 fc (4 lx)	5.8 fc (62 lx)	14.1	66.0	0.1 fc (1 lx)	5.4 fc (58 lx)	38.8	193.2
30" (750 mm)	2.1 fc (23 lx)	8.1 fc (87 lx)	3.8	7.7	1.6 fc (17 lx)	6.9 fc (74 lx)	4.3	9.2	0.5 fc (5 lx)	5.2 fc (56 lx)	9.6	28.3	0.2 fc (2 lx)	4.7 fc (51 lx)	22.4	72.6
36" (900 mm)	1.3 fc (14 lx)	7.1 fc (76 lx)	5.6	10.7	1.3 fc (14 lx)	6.2 fc (67 lx)	4.9	9.8	0.6 fc (6 lx)	4.6 fc (50 lx)	7.9	21.4	0.3 fc (3 lx)	4.1 fc (44 lx)	15.1	45.6

IES file name: LS1260-04-D-830-F-SQ-MD-FB

Output: 8 W

Mounting Height*	5' (1.5 m) Spacing				6' (1.8 m) Spacing				8' (2.4 m) Spacing				10' (3.0 m) Spacing			
	Min	Ave	Ave/Min	Max/Min	Min	Ave	Ave/Min	Max/Min	Min	Ave	Ave/Min	Max/Min	Min	Ave	Ave/Min	Max/Min
18" (450 mm)	0.8 fc (9 lx)	16.4 fc (177 lx)	21.8	83.2	0.8 fc (9 lx)	13.4 fc (144 lx)	16.6	60.7	0.3 fc (3 lx)	10.0 fc (108 lx)	30.4	187.8	0.2 fc (2 lx)	9.7 fc (104 lx)	64.7	413
24" (600 mm)	4.5 fc (48 lx)	15.4 fc (166 lx)	3.4	9.6	3.2 fc (34 lx)	12.8 fc (138 lx)	4.0	9.8	1.9 fc (20 lx)	9.6 fc (103 lx)	5.0	16.2	0.6 fc (6 lx)	9.0 fc (97 lx)	14.6	50.1
30" (750 mm)	5.9 fc (64 lx)	13.9 fc (150 lx)	2.4	4.2	5.0 fc (54 lx)	11.7 fc (126 lx)	2.3	4.1	3.2 fc (34 lx)	8.8 fc (95 lx)	2.8	6.2	1.1 fc (12 lx)	8.0 fc (86 lx)	7.1	17.2
36" (900 mm)	6.7 fc (72 lx)	12.6 fc (136 lx)	1.9	3.2	5.5 fc (59 lx)	10.8 fc (116 lx)	2.0	3.3	3.4 fc (37 lx)	8.1 fc (87 lx)	2.4	5.0	1.4 fc (15 lx)	7.2 fc (78 lx)	5.0	11.7

IES file name: LS1260-08-D-830-F-SQ-MD-FW

Assumptions:

Pathway length:	24' (7.3 m)
Pathway width:	6'
Point spacing:	1.5 x 1.2
Spacing:	On Center
Tilt:	0
Orientation:	0
*Mounting Height:	Center of luminous opening

Wire Colors & Designations

Mains Voltage – North American Market

Designation	Color
Active	Black
Neutral	White
Ground	Green
0-10 V (+)	Purple
0-10 V (-)	Grey

