


LS9407LED: Vedita Ceiling/Cavity Mount

DOWNLIGHT
MODEL: LS9407LED
 INPUT VOLTAGE: 12-24V DC, Class 2 only



Warranty void if not installed per instructions and local electrical code

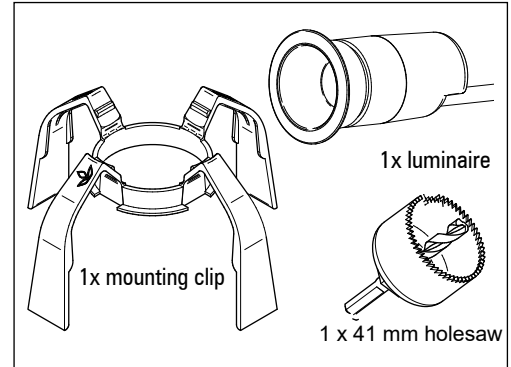
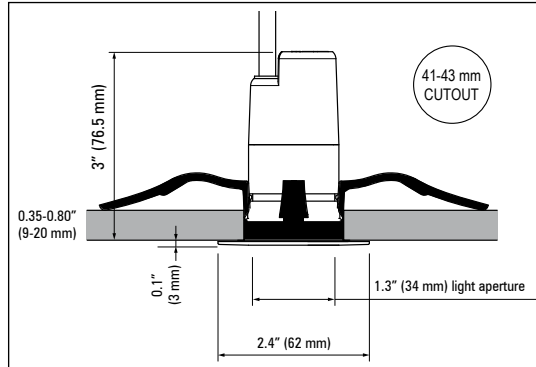
Note: Fixture uses intelligent driver. Always leave on for 20 seconds unless programming.

WARNING

It is strongly recommended to use Lumascope transformer

Opening luminaire will void warranty

Install in accordance with National Electric Code, ANSI/NFPA 70 or the Canadian Electrical Code, Part I (CEC), CSA C22.1



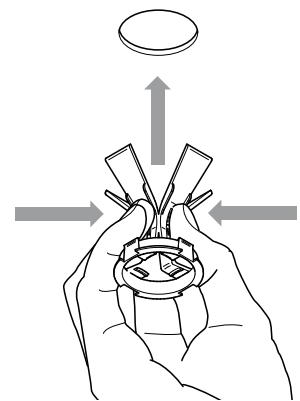
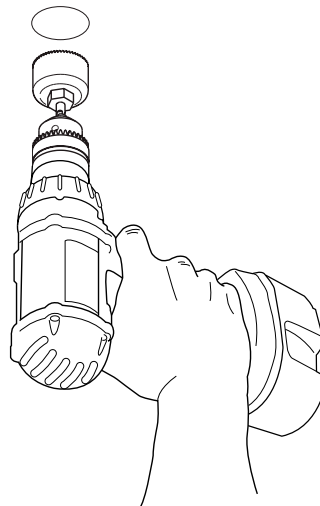
1. This luminaire is approved for installation as a Class 2 rated luminaire in general purpose locations.

Make all connections according to the Class 2 rules of the local jurisdiction. This luminaire is not approved for use in plenums.

2. Mark locations of luminaires and using holesaw supplied, cut hole in installation surface.

Please note, the installation surface thickness must be within the range of 0.35" to 0.80"

3. Collapse the legs of the mounting clip and push the clip up into the hole. The clip should be a tight fit.



4. Ensure placement of junction box is close enough to luminaire for the factory-fitted cord length to reach to the junction box. Secure cord and terminate in accordance with local wiring rules.

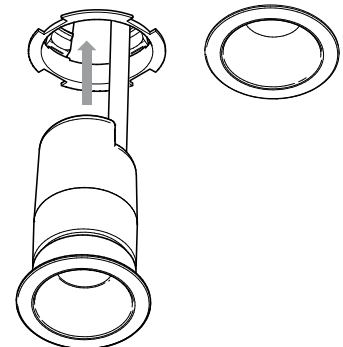
Please note: These luminaires are generally not 'Hot Swappable". Do not disconnect or reconnect luminaires to energized Class 2 circuit.

5. Connect luminaire to the load side of the Class 2 power supply. Any joint must be dry and water tight or warranty will be void.

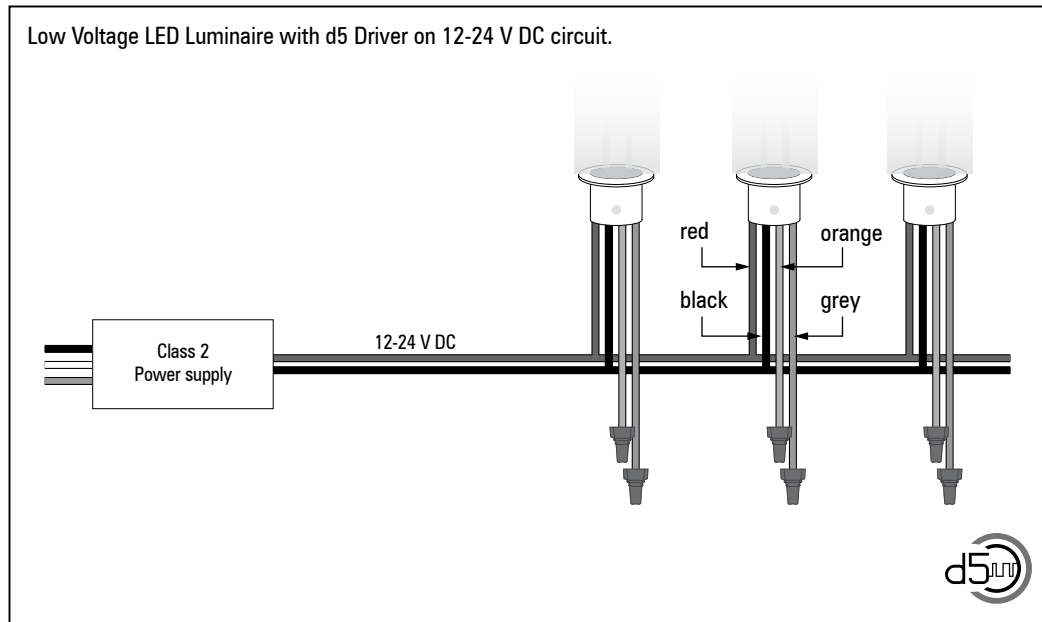
NOTE: The orange and grey wires are for optional PWM digital dimming using 0-10 V.

If dimming is not required, do not connect the orange and grey wires. In all cases they are to be sealed and kept dry. Failure to do so may result in the intelligent driver dimming the luminaire due to a voltage differential between the two conductors.

6. Once the circuit and all luminaires are confirmed as working, push luminaire into mounting clip.



Wiring for Non-Dimming Diagram



NOTE: The above diagram is intended to show electrical pathways between luminaires and ancillary devices. This diagram is not intended to show type or color of cord/wire, wire gauge or approved use of the cord/wire supplied with luminaires.

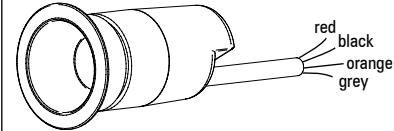
Consult the luminaire-specific cutsheet or the factory for detailed specifications.

IMPORTANT: For instructions on how to fine tune the brightness of the luminaire, refer to instruction sheet IN0059US "How to adjust the brightness for your d5 equipped luminaire". Please note, this capability only applies for luminaires not connected to any other control signal.

Wiring Polarity

red	V+
black	V-
orange	DIM+ (connection optional)
grey	DIM- (connection optional)

NOTE: Connect dimming wires only if needed. Otherwise isolate.



Cord 20 gauge (0.5 mm²)

Wiring for Dimming Configurations

Please refer to the appropriate wiring diagram for information on required system components and connections.

Dimmable Wiring Diagram Reference

Input Voltage	LED Color	Control Type	Wiring Diagram
13-DIM	Single Color	PWM	2,4