



WARNING
Install in accordance with National Electric Code, ANSI/NFPA 70 or the Canadian Electrical Code, Part I (CEC), CSA C22.1



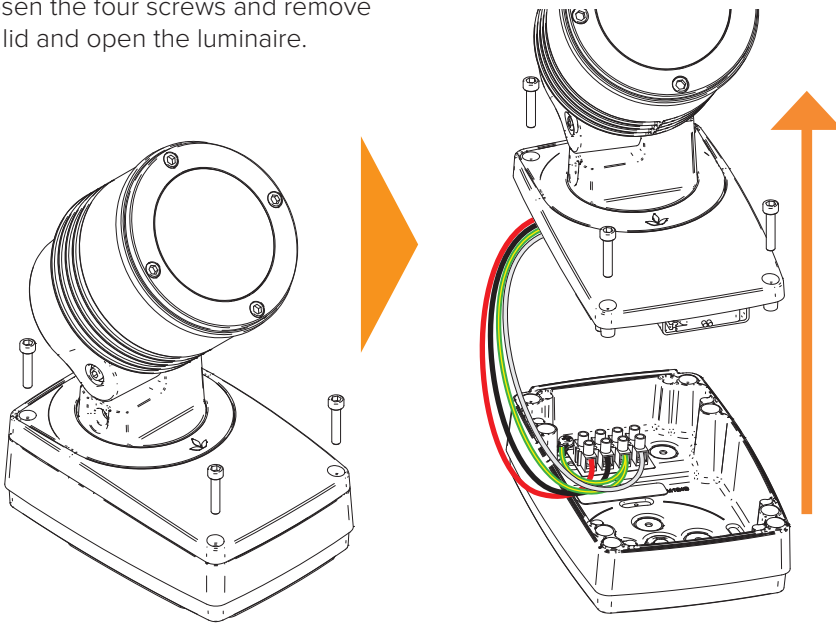
READ ALL SAFETY INSTRUCTIONS FIRST

- › Follow instructions carefully, failure to do so will void warranty.
- › Ensure installation complies with local law and applicable standards.
- › Input voltage: Line Voltage 120/277 Vac, 60 Hz
Low Voltage 30 to 48 Vdc
- › Only use Lumascape power supply, control equipment and leader cables.
- › Ensure mains input power is surge protected.
- › Never make connections whilst the power is connected.
- › Do not make modifications or alter the product.
- › Keep luminaire and connections clean and free of debris and moisture.
- › It is the installers responsibility that the installation is adequately sealed to avoid moisture ingress.

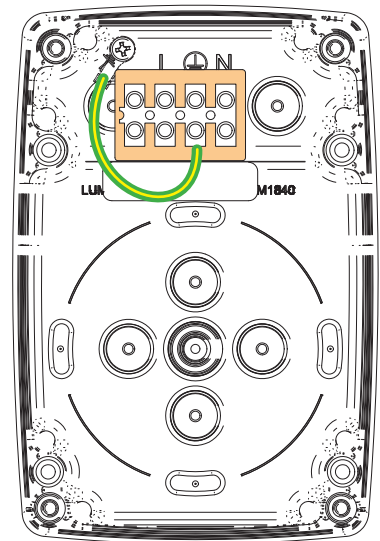
Products and specifications are subject to change without notice.
IN0182US-230516

Open Luminaire

Loosen the four screws and remove the lid and open the luminaire.

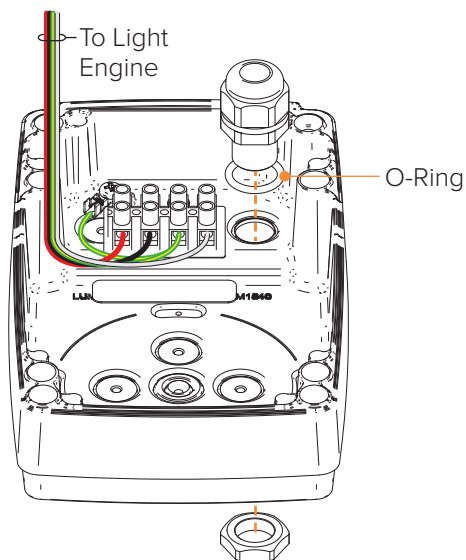
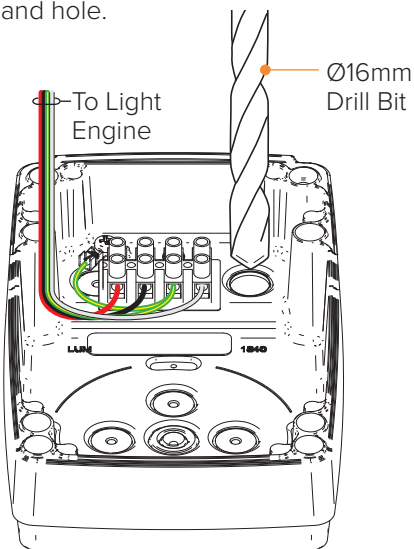


In the base drill out gland holes as required.

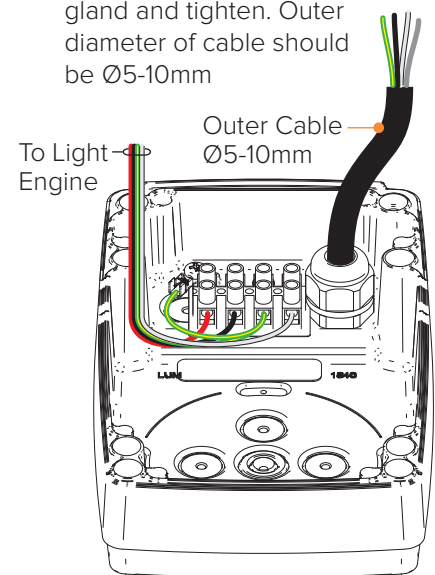


Install Gland

Drill the hole for the gland. Use a 16mm drill bit to drill the gland hole.

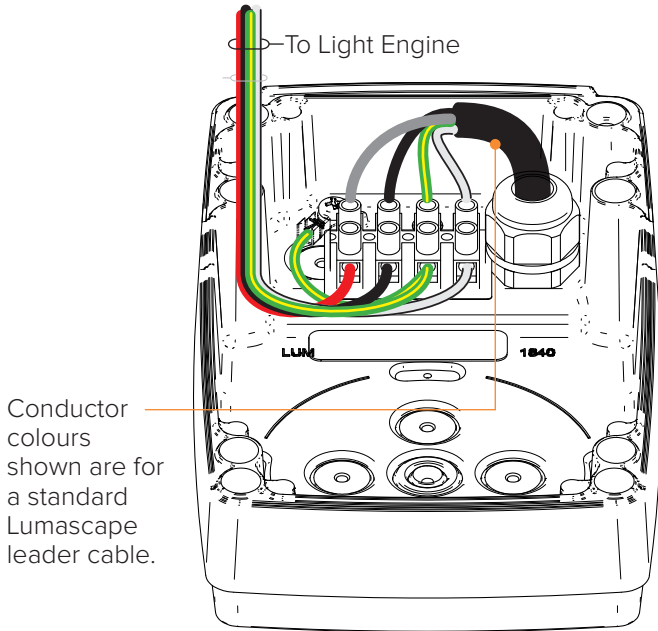


Feed supply cable through gland and tighten. Outer diameter of cable should be Ø5-10mm



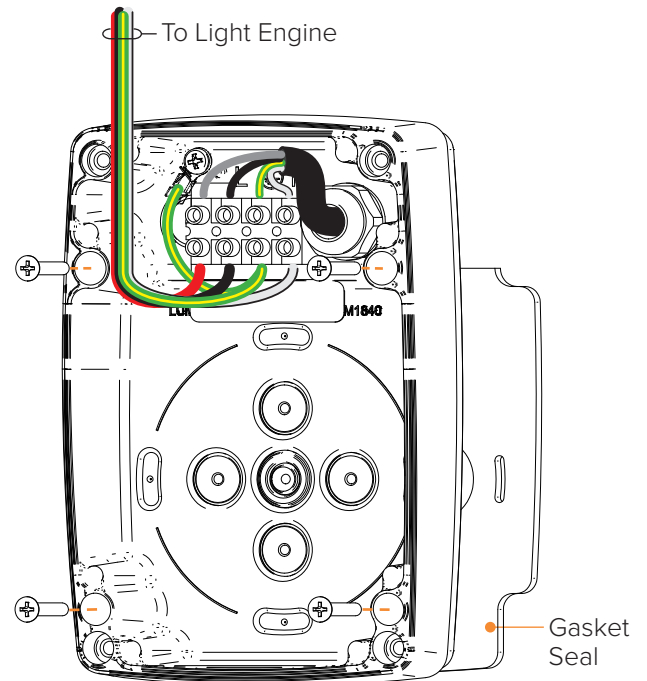
Connect Supply Cable

Connect the supply cable to the terminal block. Refer to table below for conductor colour and designation.



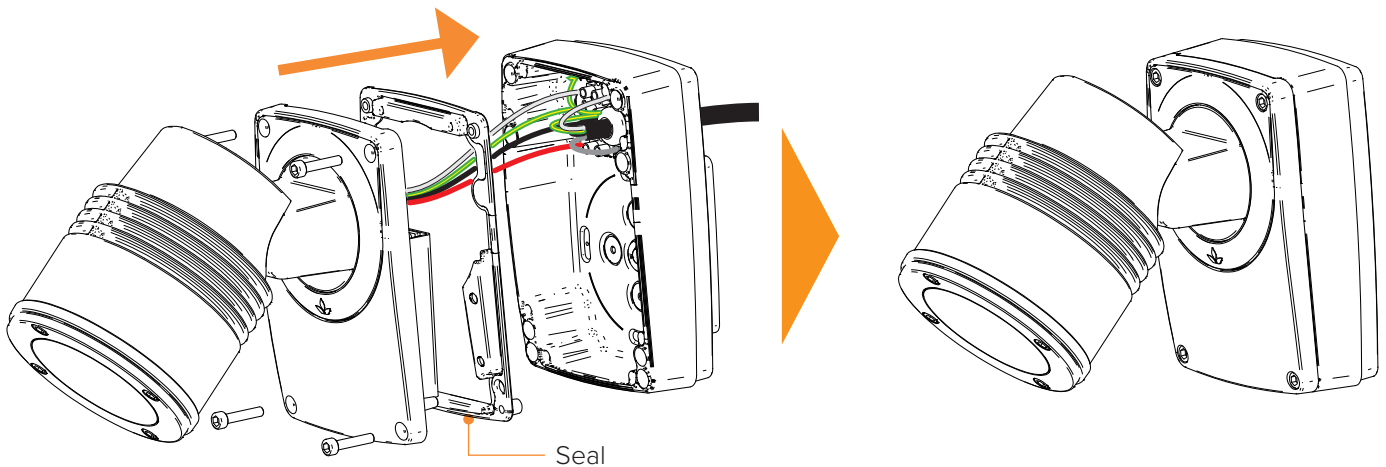
Mount Base to Wall

Bolt luminaire to mounting surface making sure the gasket seal is inserted between the mounting surface and the wall.



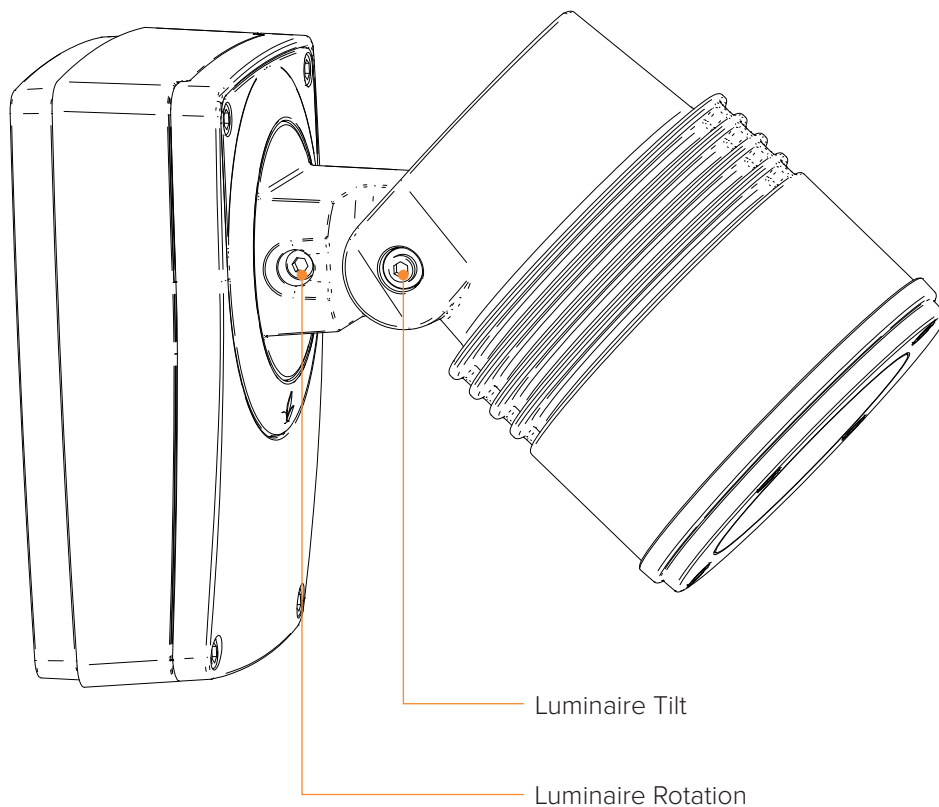
Close Luminaire

Re-attach lid to base, making sure the seal is correctly placed between the two components.



Aim Luminaire

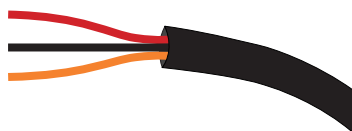
Using an Allen key adjust the luminaire's tilt and rotation.
Loosen the screws to adjust and tighten to lock luminaire into place.



Wiring Designation

Low Voltage 30 to 48 Vdc

Designation	Color
+ DC	Red
- DC	Black
Data	Orange



Line Voltage 120/277 Vac - North America

Designation	Color
Line	Black
Neutral	White
Ground/Earth	Green / Yellow
Data	Orange or Red

