

LS751LED Villa LS751-2LED Double Villa

Wallmount



The LS751LED is a compact, adjustable, direct or indirect accent used for grazing walls or other accent illumination tasks. The luminaire is constructed from 316 marine grade stainless steel with Lumascape's proprietary **ElectroPolishPlus™** surface treatment, to provide a long life even in coastal environments. This luminaire is ideal for use in modern architectural designs, and now features new Lumascape d5 driver technology for advanced dimming and control options.

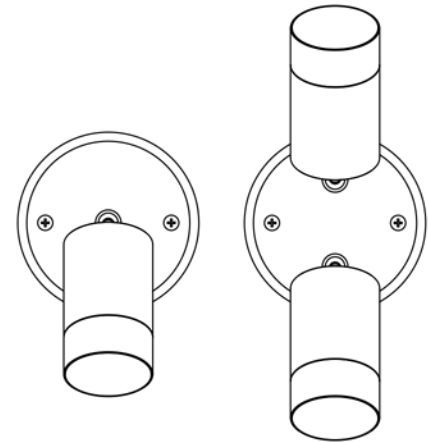
Specifications

Lamp Source	3 W or 2 x 3 W LED <input type="checkbox"/> White (4 300 K typical) <input checked="" type="checkbox"/> Warm white (3 000 K typical) <input checked="" type="checkbox"/> Blue (470 nm) <i>Other colors by request</i>
Approved Use	Suitable for wet locations
Control Options	0-10 V On-site or factory-programmable brightness
IP Rating	IP65
Construction	316 marine grade stainless steel
Remote Transformers / Power Supplies	LSLED-15V20W277 J-box power supply for non-dimming applications <i>Order separately</i>
Ambient Operating Temperature	-40 °F to 122 °F (-40 °C to +50 °C)
Photometrics	Refer to www.lumascape.com

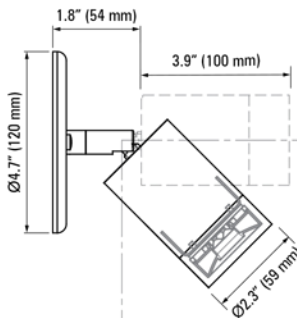
Any luminaire can become hot - take care with appropriate use and placement



LS751LED Villa



LS751-2LED Double Villa



LAMP		OPTICAL SYSTEM			INPUT VOLTAGE		FINISH				
Code	Description	Wattage	Color	Code	Beam	Code	Description	Code			
LS751LED	LED	3 W	Warm white (2,700 K)	3D7	Narrow	14°	NR	12-15 V, 60 Hz or 12-24 V DC	13 ⁽¹⁾		
			Warm white (3,000 K)		Narrow Medium					25°	NM
			Cool White (4,000 K)		Medium					30°	ME
			Blue (470 nm)		Wide					40°	WD
LS751-2LED	LED	6 W	Warm white (2,700 K)	3D7							
			Warm white (3,000 K)								
			Cool White (4,000 K)								
			Blue (470 nm)								

⁽¹⁾ For appropriate transformer.

Wiring Diagram Reference

Input Voltage	LED Color	Control Type	Wiring Diagram
13	Single Color	Non Dim	2
23	Single Color	0-10 V	3,4

Diagram 2 - Non Dimming - Low Voltage LED Luminaire on a Low Voltage Circuit

Please note: for submersible lighting applications, the use of a GFCI may be required. Consult local wiring rules.

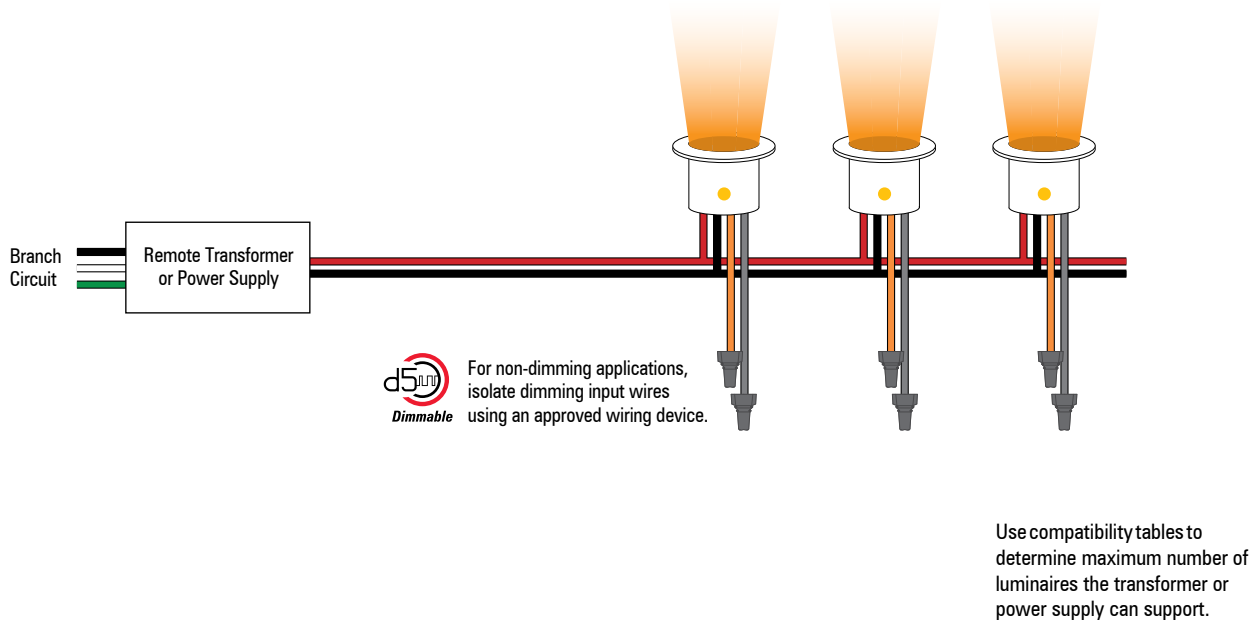
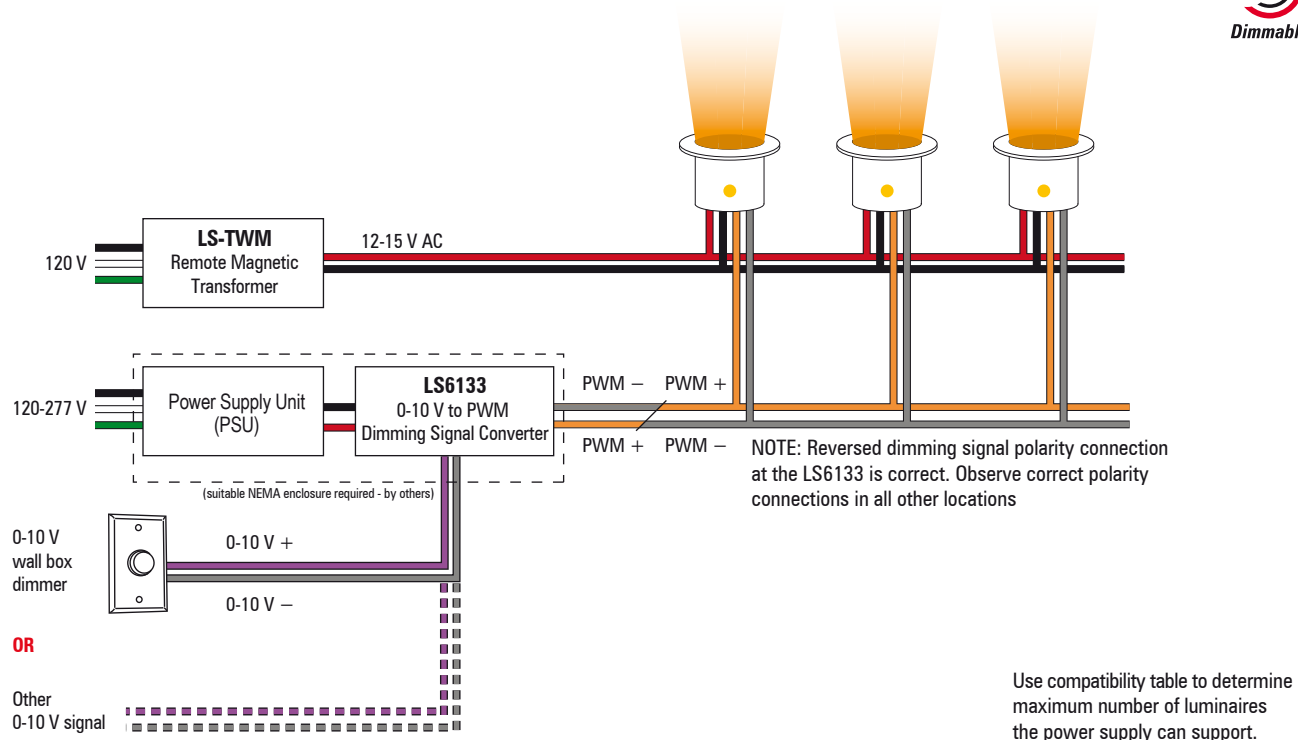


Diagram 3 - 0-10 V Dimming - Low Voltage LED Luminaire with d5 Driver on 12-15 V AC Circuit

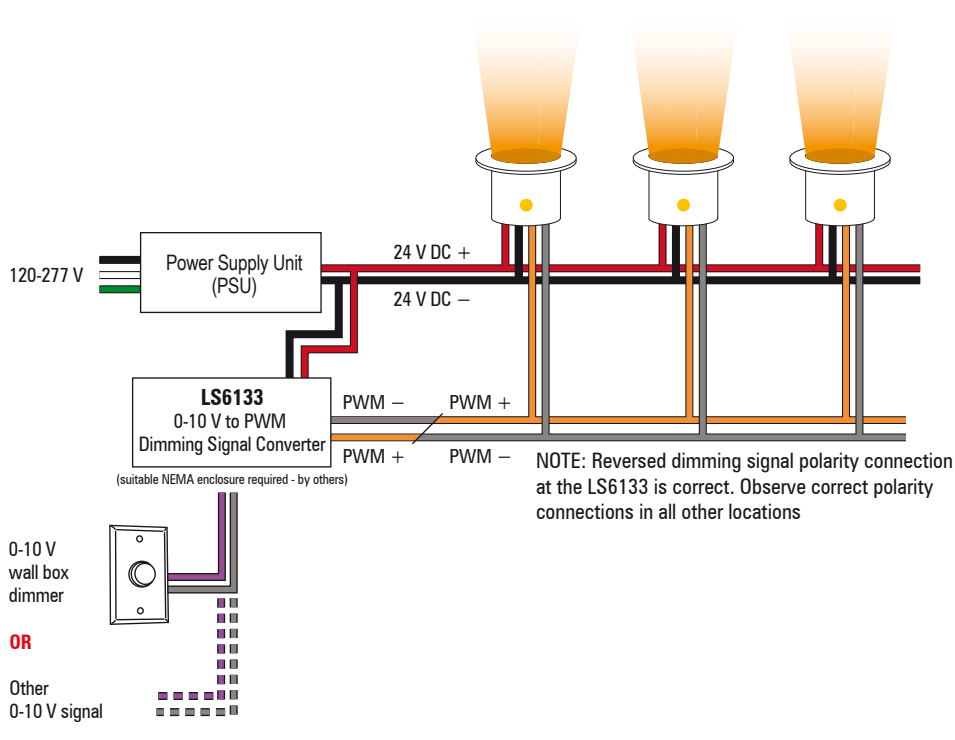


NOTE: The above diagrams are intended to show electrical pathways between luminaires and ancillary devices. These diagrams are not intended to show type or color of cord/wire, wire gauge or approved use of the cord/wire supplied with luminaires.

Consult the luminaire-specific cutsheet or the factory for detailed specifications.



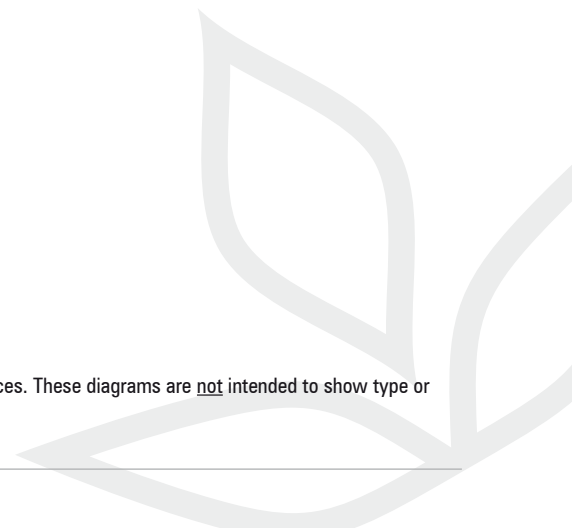
Diagram 4 - 0-10 V Dimming - Low Voltage LED Luminaire with d5 Driver on 24 V DC Circuit



Use compatibility table to determine maximum number of luminaires the power supply can support.

NOTE: The above diagrams are intended to show electrical pathways between luminaires and ancillary devices. These diagrams are not intended to show type or color of cord/wire, wire gauge or approved use of the cord/wire supplied with luminaires.

Consult the luminaire-specific cutsheet or the factory for detailed specifications.



Transformers and Power Supplies for Low Voltage LED Luminaires

The following list of transformers and power supplies are for use with luminaires specifically described as being compatible with either 12 V AC (wirewound only) transformers or with 12-24 V DC power supplies. Compatibility will be noted in the ordering code of the luminaire concerned, and will typically be referenced by Voltage Code '13' or '13-DIM'. In the case of '13-DIM' additional components may be required. Refer to the applicable wiring diagram/s.

Compatibility with each transformer or power supply is indicated by the value mentioned, representing the maximum number of luminaires that may be powered from each transformer or power supply. Please note, this does not take into consideration voltage drop or ampacity limits of the branch circuit. For assistance, please contact factory.

	Wall Mounted Landscape Lighting Transformers			Wall Mounted Transformers				Direct Burial Transformer
	LS-TWM-1-300	LS-TWM-2-600	LS-TWM-3-900	LS-TWM-50	LS-TWM-100	LS-TWM-150	LS-TWM-250	LS-TDB1-300
Input Voltage	120 V, 60 Hz	120 V, 60 Hz	120 V, 60 Hz	120 V, 60 Hz	120 V, 60 Hz	120 V, 60 Hz	120 V, 60 Hz	120 V, 60 Hz
Output Voltage	12/13/14/15 V 60 Hz	12/13/14/15 V 60 Hz	12/13/14/15 V 60 Hz	12 V, 60 Hz	12 V, 60 Hz	12 V, 60 Hz	12 V, 60 Hz	12.5 V, 60 Hz
Wattage	1 x 300 W circuit	2 x 300 W circuits	3 x 300 W circuits	50 W	100 W	150 W	250 W	300 W
LS751LED	42	84	126	7	14	21	35	
LS751-2LED	23	46	69	3	7	11	19	