

LS371LED Boulevard

Wallmount



The LS371LED is a surface-mounted, high strength step light with excellent light distribution properties. Offering both line voltage and low voltage input options, including dimmability with new Lumascape d5 driver technology, the Boulevard offers exceptional performance characteristics. Impressively, the 2 W LED light engine generates virtually the same horizontal illuminance as a 20 W halogen, making the LED a true performance based alternative at only 1/10th the power.

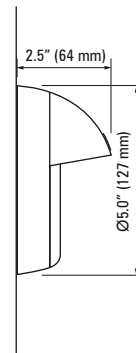
Specifications

Lamp Source	2 W LED <input type="checkbox"/> White (4 300 K typical) <input type="checkbox"/> Warm white (3 000 K typical) <input type="checkbox"/> Blue (470 nm) <i>Other colors by request</i>
Approved Use	Suitable for wet locations
Control Options	0-10 V (current sourcing) PWM On-site or factory-programmable brightness
IP Rating	IP67
Construction	Die-cast copper alloy
Remote Transformers / Power Supplies	Refer to Technical Data section for application specific options <i>Order separately</i>
Ambient Operating Temperature	-4 °F to 122 °F (-20 °C to +50 °C)
Photometrics	Refer to www.lumascap.com

Any luminaire can become hot - take care with appropriate use and placement



LS371LED Boulevard



LAMP				INPUT VOLTAGE		FINISH	
Description	Wattage	Color	Code	Description	Code	Description	Code
LED	2 W	White (4 300 K typ.)	2W4	120 V 60 Hz	04	Shot blasted standard	BR
		Warm white (3 000 K typ.)	2H6	12-15 V, 60 Hz or 12-24 V DC	13⁽¹⁾	Black, powder coated	CB
		Blue (470 nm)	2B4	0-10 V or PWM Dimmable Driver, 12-15 V, 60 Hz or 12-24 V DC	13-DIM⁽¹⁾	White, powder coated	CW
						Silver, powder coated	CS
						Brass, polished	PB
						Superchrome, powder coated	CA

⁽¹⁾ Requires appropriate transformer.

Dimmable Wiring Diagram Reference

Input Voltage	LED Color	Control Type	Wiring Diagram
13-DIM	Single Color	PWM	2,3,4

Photometrics

Photometric data is based on test results from a NIST traceable testing lab. IES data is available at www.lumascap.com.

Note: No depreciation factor is applied to the data shown.

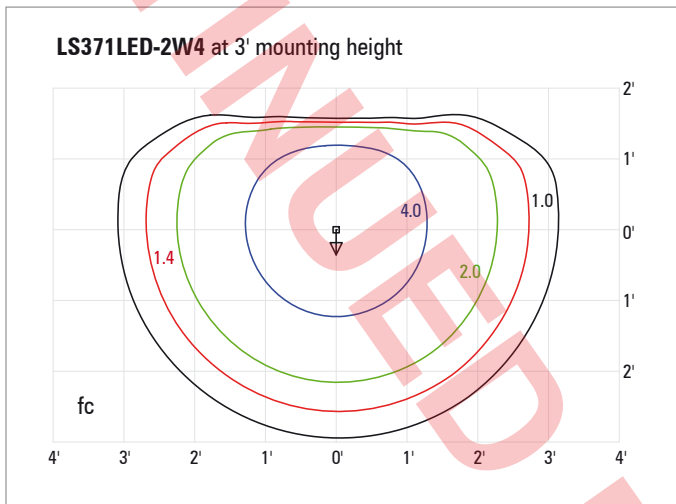
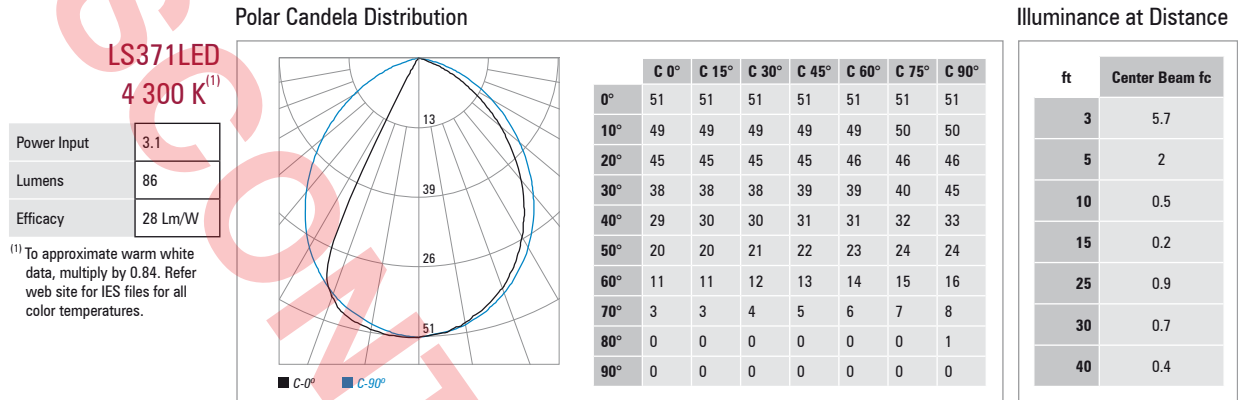


Diagram 2 - 0-10 V Dimming Via Current Sourcing Module, or Pulse Width Modulated Dimming (PWM)
 - Low Voltage LED Luminaire with d5 Driver on 24 V DC Circuit

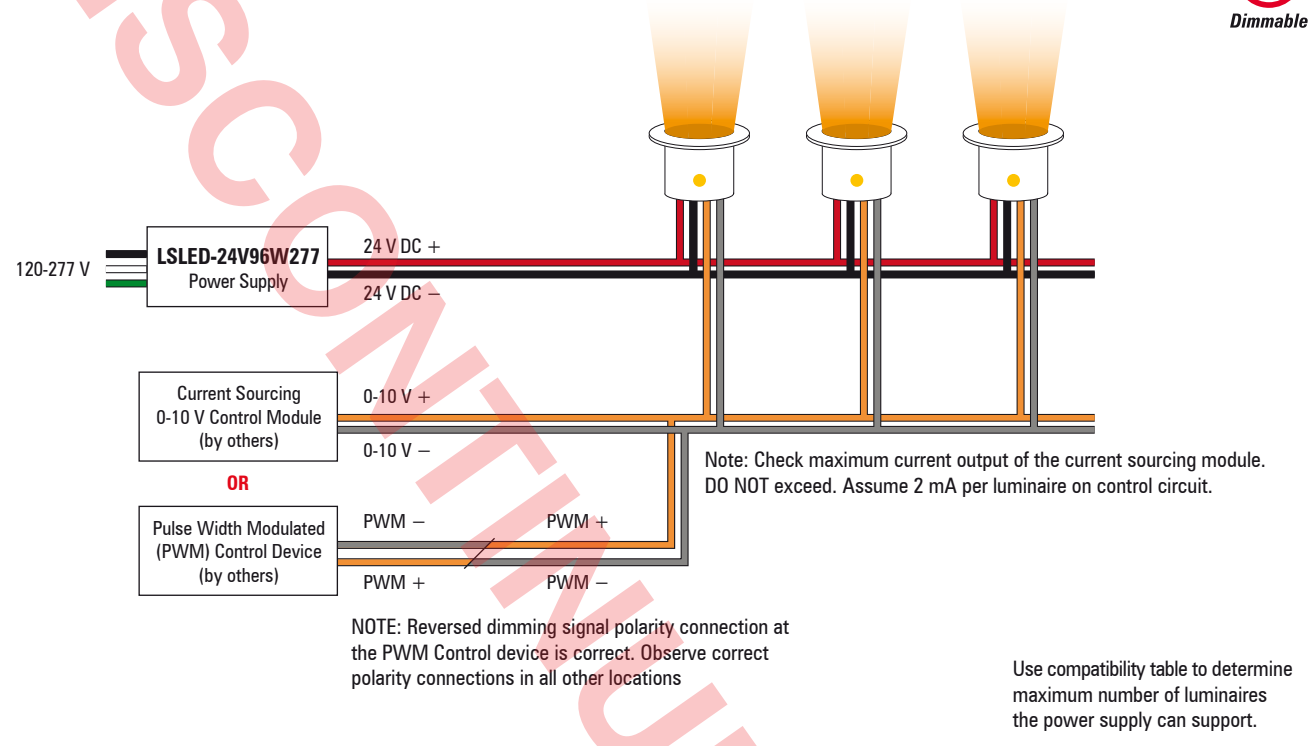
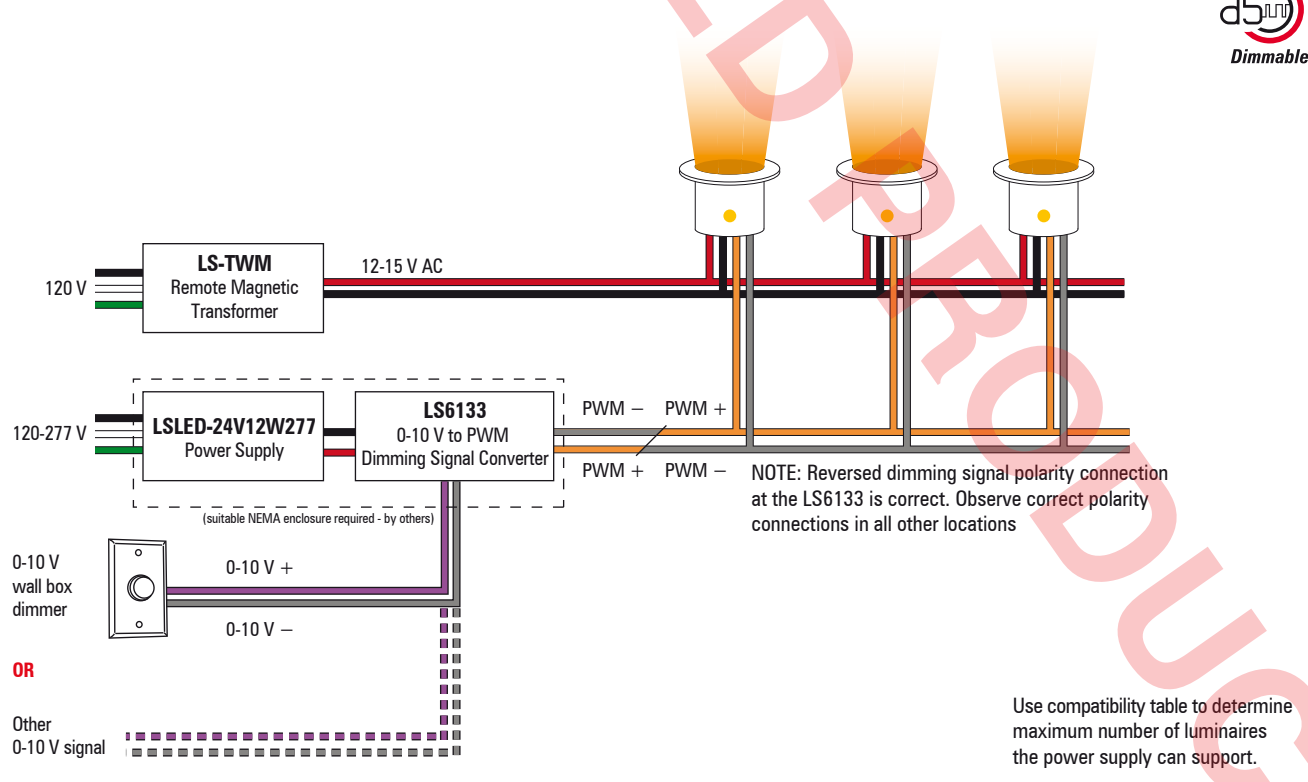


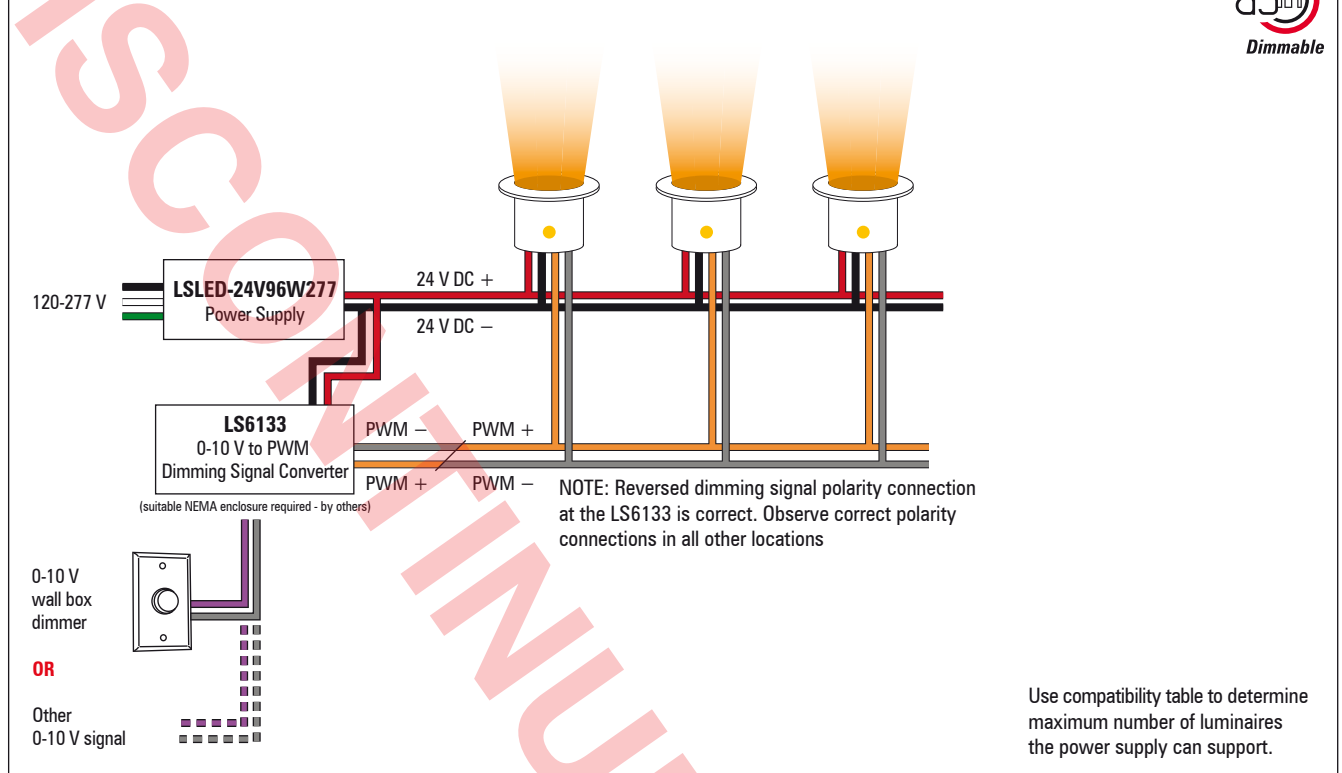
Diagram 3 - 0-10 V Dimming - Low Voltage LED Luminaire with d5 Driver on 12-15 V AC Circuit



NOTE: The above diagrams are intended to show electrical pathways between luminaires and ancillary devices. These diagrams are not intended to show type or color of cord/wire, wire gauge or approved use of the cord/wire supplied with luminaires.

Consult the luminaire-specific cutsheet or the factory for detailed specifications.

Diagram 4 - 0-10 V Dimming - Low Voltage LED Luminaire with d5 Driver on 24 V DC Circuit



NOTE: The above diagrams are intended to show electrical pathways between luminaires and ancillary devices. These diagrams are not intended to show type or color of cord/wire, wire gauge or approved use of the cord/wire supplied with luminaires.

Consult the luminaire-specific cutsheet or the factory for detailed specifications.

Transformers and Power Supplies for Low Voltage LED Luminaires

The following list of transformers and power supplies are for use with luminaires specifically described as being compatible with either 12 V AC (wirewound only) transformers or with 12-24 V DC power supplies. Compatibility will be noted in the ordering code of the luminaire concerned, and will typically be referenced by Voltage Code '13' or '13-DIM'. In the case of '13-DIM' additional components may be required. Refer to the applicable wiring diagram/s.

Compatibility with each transformer or power supply is indicated by the value mentioned, representing the maximum number of luminaires that may be powered from each transformer or power supply. Please note, this does not take into consideration voltage drop or ampacity limits of the branch circuit. For assistance, please contact factory.

	Wall Mounted Landscape Lighting Transformers			Wall Mounted Transformers				Class 2 Power Supply	Direct Burial Transformer
	LS-TWM-1-300	LS-TWM-2-600	LS-TWM-3-900	LS-TWM-50	LS-TWM-100	LS-TWM-150	LS-TWM-250	LSLED-24V96W277	LS-TDB1-300
Input Voltage	120 V, 60 Hz	120 V, 60 Hz	120 V, 60 Hz	120 V, 60 Hz	120 V, 60 Hz	120 V, 60 Hz	120 V, 60 Hz	120-277 V, 50/60 Hz	120 V, 60 Hz
Output Voltage	12/13/14/15 V 60 Hz	12/13/14/15 V 60 Hz	12/13/14/15 V 60 Hz	12 V, 60 Hz	12 V, 60 Hz	12 V, 60 Hz	12 V, 60 Hz	24 V DC	12.5 V, 60 Hz
Wattage	1 x 300 W circuit	2 x 300 W circuits	3 x 300 W circuits	50 W	100 W	150 W	250 W	96 W	300 W
LS371LED	54	108	162	9	18	27	45	30	54

Transformers for Landscape Lighting Applications

LS-TWM-1-300

Magnetic transformer - wall mounted

Input	120 V
Rating	300 W
Output	12/13/14/15 V
Output Circuits	1
Protection	Electrostatic shield, magnetic breaker
Approvals	UL, CUL
NEMA Rating	3R
Construction	Stainless steel
Dimensions	H 17.6" (447 mm) W 6.8" (173 mm) D 6.19" (157 mm)
Weight	27 lb (12.3 kg)

LS-TWM-3-900

Magnetic transformer - wall mounted

Input	120 V
Rating	900 W
Output	12/13/14/15 V
Output Circuits	3
Protection	Electrostatic shield, magnetic breaker
Approvals	UL, CUL
NEMA Rating	3R
Construction	Stainless steel
Dimensions	H 18.6" (472 mm) W 7.8" (198 mm) D 6.19" (157 mm)
Weight	34 lb (15.5 kg)

LS-TWM-2-600

Magnetic transformer - wall mounted

Input	120 V
Rating	600 W
Output	12/13/14/15 V
Output Circuits	2
Protection	Electrostatic shield, magnetic breaker
Approvals	UL, CUL
NEMA Rating	3R
Construction	Stainless steel
Dimensions	H 17.6" (447 mm) W 6.8" (173 mm) D 6.19" (157 mm)
Weight	29 lb (13.2 kg)

LS-TDB1-300

Magnetic transformer - direct burial

Input	120 V
Rating	300 W
Output	12.5 V
Output Circuits	1
Protection	Circuit breaker
Approvals	ETL (US and Canada)
NEMA Rating	12
Construction	Reinforced composite
Dimensions	H 9" (229 mm) W 9" (229 mm) D 7" (178 mm)
Weight	8 lb (3.6 kg)

Wall Mounted Transformers

LS-TWM-50

Magnetic transformer - wall mounted

Input	120 V or 240 V
Rating	50 W
Output	12 V or 24 V
Output Circuits	1
Protection	Isolation type transformer
Approvals	UL, CUL
NEMA Rating	3R
Construction	Powder coated steel
Dimensions	H 8.03" (204 mm) W 3.31" (84 mm) D 3.08" (78 mm)
Weight	4.4 lb (2 kg)

LS-TWM-150

Magnetic transformer - wall mounted

Input	120 V or 240 V
Rating	150 W
Output	12 V or 24 V
Output Circuits	1
Protection	Isolation type transformer
Approvals	UL, CUL
NEMA Rating	3R
Construction	Powder coated steel
Dimensions	H 8.03" (204 mm) W 3.31" (84 mm) D 3.08" (78 mm)
Weight	5.6 lb (2.5 kg)

LS-TWM-100

Magnetic transformer - wall mounted

Input	120 V or 240 V
Rating	100 W
Output	12 V or 24 V
Output Circuits	1
Protection	Isolation type transformer
Approvals	UL, CUL
NEMA Rating	3R
Construction	Powder coated steel
Dimensions	H 8.03" (204 mm) W 3.31" (84 mm) D 3.08" (78 mm)
Weight	4.8 lb (2.2 kg)

LS-TWM-250

Magnetic transformer - wall mounted

Input	120 V or 240 V
Rating	250 W
Output	12 V or 24 V
Output Circuits	1
Protection	Isolation type transformer
Approvals	UL, CUL
NEMA Rating	3R
Construction	Powder coated steel
Dimensions	H 8.03" (204 mm) W 3.31" (84 mm) D 3.08" (78 mm)
Weight	6.7 lb (3 kg)

Class 2 LED Power Supplies

LSLED-24V96W277

Electronic DC power supply - wall mounted

Input	120-277 V, 50/60 Hz		
Rating	96 W / 4 A		
Output	24 V DC		
Output Circuits	1		
Approvals	CSA, CSA-US		
Location	Wet location		
Dimensions	H 12.32" (313 mm)	W 2.54" (65 mm)	D 1.67" (42 mm)
Weight	2 lb (0.9 kg)		

LSLED-24V12W277

Electronic DC power supply - NEMA enclosure required (by others)

Input	120-277 V, 50/60 Hz		
Rating	12 W / 0.5 A		
Output	24 V DC		
Output Circuits	1		
Approvals	UL, CUL Recognized, Class 2		
IP rating	IP66		
Location	Wet location		
Dimensions	H 3.35" (85 mm)	W 1.42" (36 mm)	D 0.91" (23 mm)
Weight	0.282 lb (0.1 kg)		

Control Related Equipment

LS6133

0-10 V to PWM translator - NEMA enclosure required (by others)

Input	24 V DC		
Rating	96 W max		
Output	4 A max		
Output Circuits	1		
Approvals	UL, CUL Recognized, Class 2		
IP Rating	IP66		
Dimensions	H 5.2" (132 mm)	W 1.3" (33 mm)	D 1" (25 mm)
Weight	0.2 lb (0.1 kg)		

LS67100

DMX to PWM translator - dry location only

Input	24 V DC		
Rating	4 x 60 W max		
Output	4 x 2.5 A max		
Output Circuits	4		
Approvals	UL, CUL		
IP Rating	N/A		
Dimensions	H 11.25" (286 mm)	W 4.6" (117 mm)	D 3.2" (82 mm)
Weight	0.5 lb (0.2 kg)		