



The Evoca EV7 is a compact, shallow-depth in-ground luminaire, for applications requiring a very compact form factor, and features a 3 W, 6 W or 9 W LED module with output similar to a 75 W MR16. The compact size allows the luminaire to be used without appearing to dominate the architecture or landscape. For better control of light, a factory set tilt option is available, as well as dimming for single color via Lumascope's d5 driver technology.



Performance

Static White & Color <sup>1</sup>	Lumen Output (lm)			Efficacy (lm/W)			Peak Intensity (cd)		
	3 W	6 W	9 W	3 W	6 W	9 W	3 W	6 W	9 W
3,000 K (80 CRI)	305	545	845	83	73	84	3,850	6,850	5,100
4,000 K (80 CRI)	325	590	910	90	78	90	4,100	7,400	5,500
Blue (470 nm)	75	135	205	190	17	20	800	1,450	1,100

<sup>1</sup> Static white lumen output values are based on a luminaire with 14° lens, 0° tilt

Dynamic Color <sup>2</sup>	Lumen Output (lm)			Efficacy (lm/W)			Peak Intensity (cd)		
	3 W	6 W	9 W	3 W	6 W	9 W	3 W	6 W	9 W
RGB	-	-	-	-	-	-	-	-	-

<sup>2</sup> Dynamic color lumen output values are based on a luminaire with 20° lens.

<b>Beam Angles</b>	14°, 20°, 25°, 10° x 40°, 40° x 10°
--------------------	-------------------------------------

**Electrical**

<b>Power Consumption</b>	7.2 W (nominal for 6 W, 10.2 W (nominal for 9 W)	
<b>Lifetime</b>	>60,000 hrs (B10, L70, TM21)	
<b>Input Voltage</b>	Low Voltage	24 Vdc (International) 12 to 15 Vac, 60 Hz (North America)

**Control**

<b>Protocols<sup>1</sup></b>	PWM (0-10 V to PWM, DMX to PWM and DALI® to PWM converters available)
------------------------------	---

**Physical**

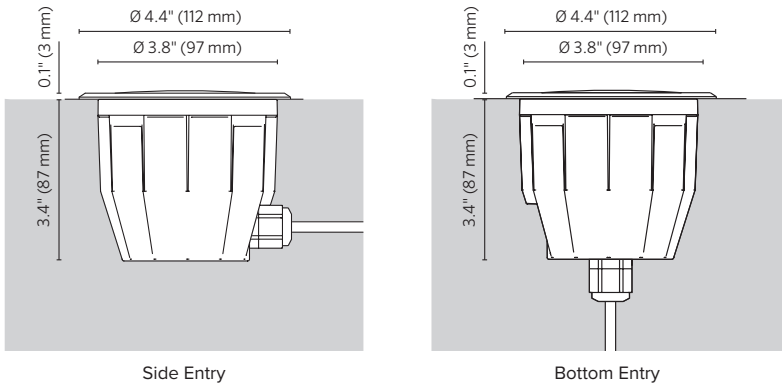
<b>Housing</b>	Marine-grade 316 stainless steel lid and high-pressure die-cast brass body
<b>Installation</b>	Direct burial (concrete, landscape, planters)
<b>Aiming Options</b>	Fixed 0° or 15° tilt
<b>Ambient Operating Temperature</b>	-4°F to 122°F (-20°C to 50°C)
<b>Surface Temperature</b>	≤ 149°F (65°C)
<b>Weight</b>	3.5 lbs (1.6 kg)

**Certification & Compliance**

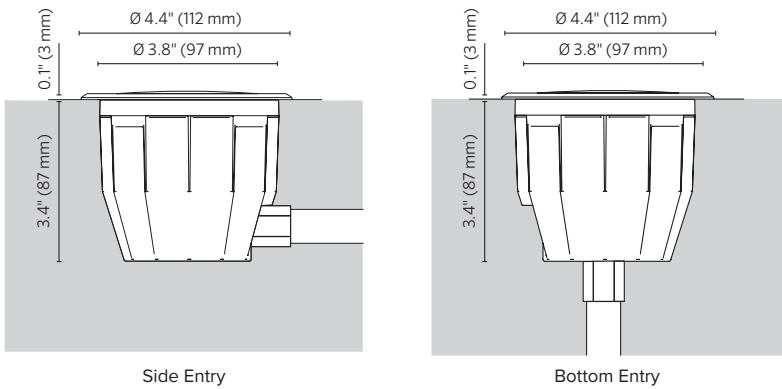
<b>IP Rating</b>	IP68
<b>IK Rating</b>	IK7
<b>Static Load Rating</b>	1,650 lb (750 kg)
<b>Environment</b>	Dry, Damp, Wet locations
<b>Certifications</b>	ETL, CE, UKCA, RCM

Dimensions

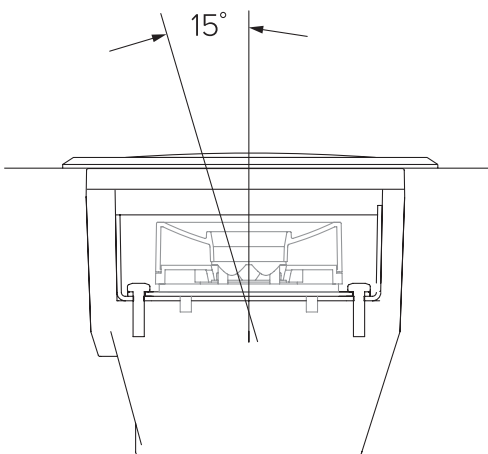
International Market



North American Market

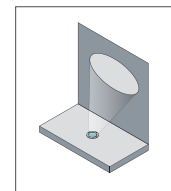
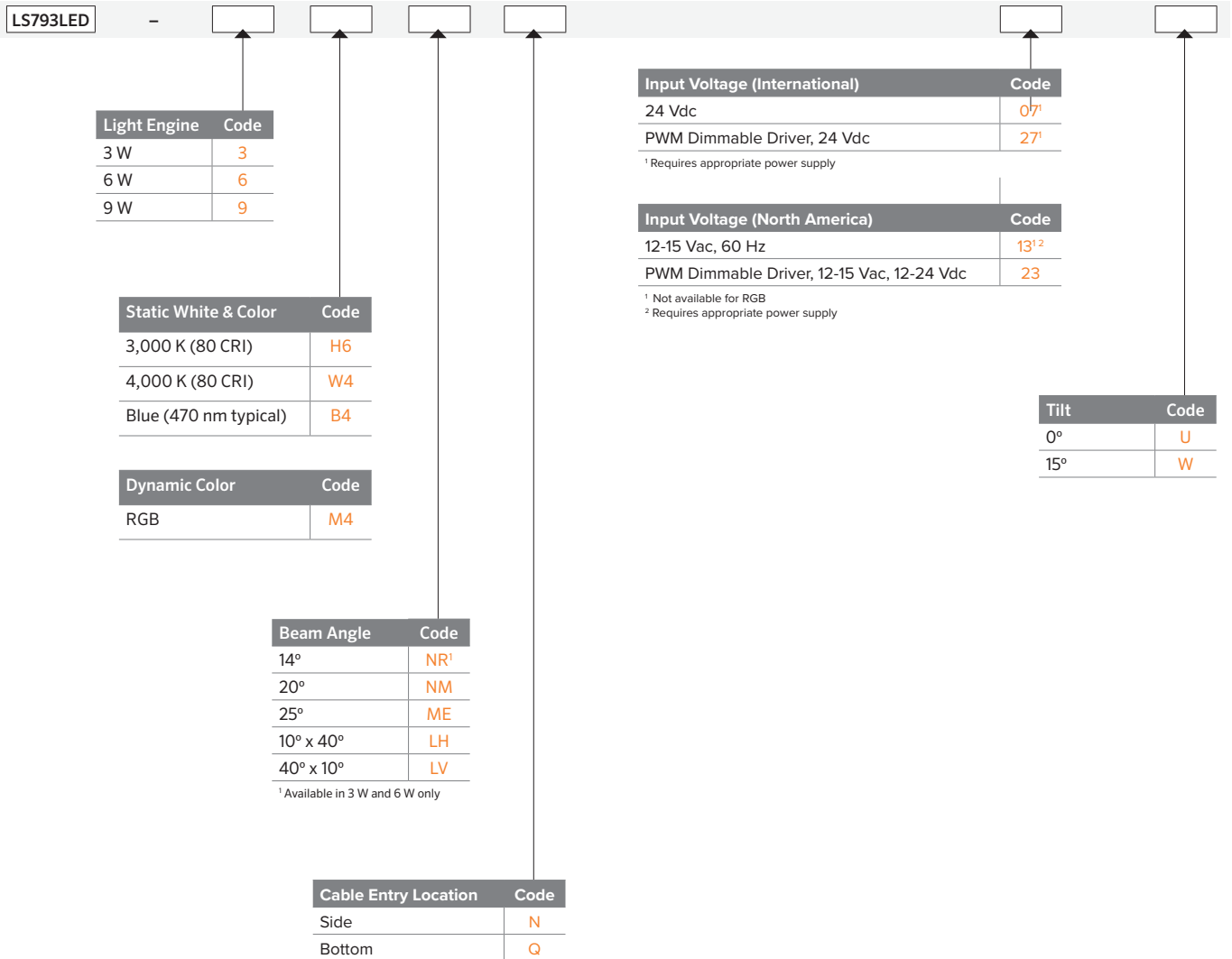


Luminaire Tilt

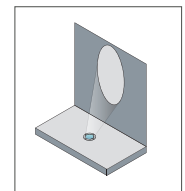


Luminaire is factory set at 0° or 15°.

Specification Matrix



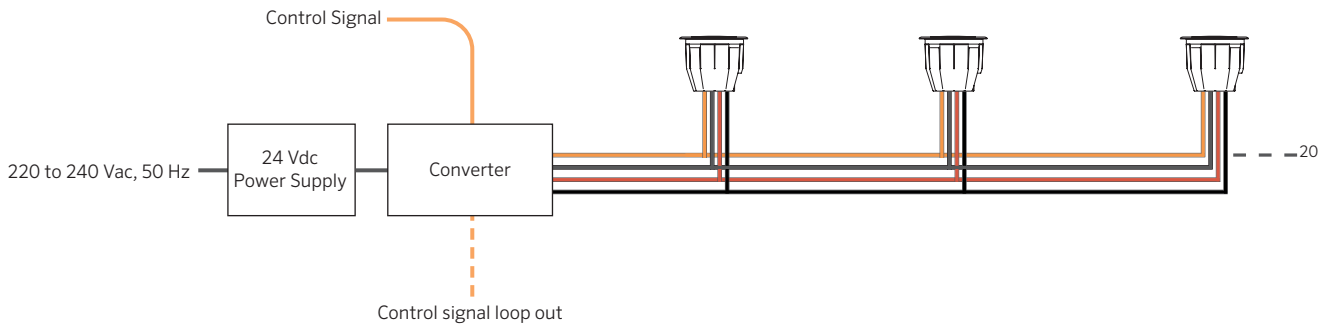
Beam Orientation for the "LH" optical system



Beam Orientation for the "LV" optical system

Network Topology – Static Colour (DMX / DALI®)

International Market



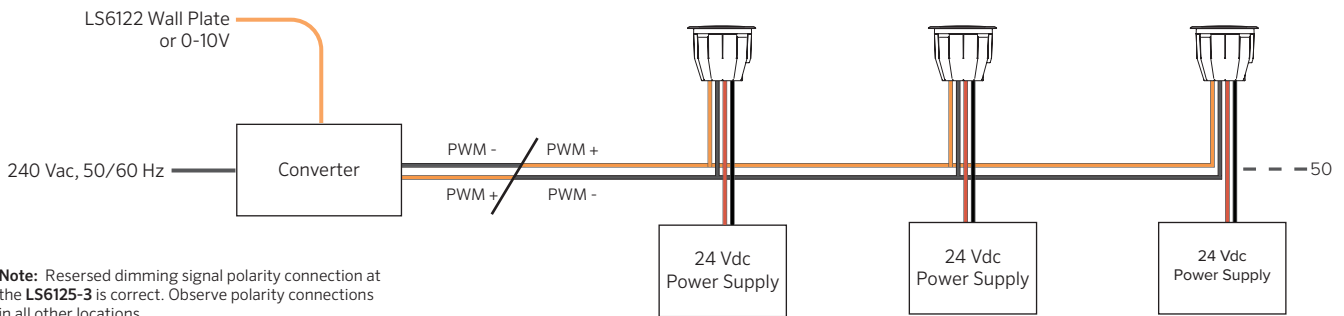
Up to 20 luminaires per run under the following conditions:

- Up to three (3) individually addressed dimmable channels
- Up to twenty (20) individually addressed and controlled together
- Luminaires driven by integral LED drivers
- Luminaires powered through individual power supplies or
- Single luminaire powered through LS67100 PWM controller
- Refer to 'Maximum Circuit Load' table for circuit limitations
- Always observe local electrical codes for branch circuit current limitations

Control Protocols

- DMX** For DMX control signal, use LS67100 DMX to PWM converter
- DALI** For DALI control signal, use LSLED-RGBDIM-DALI converter

Network Topology – Static Colour (0-10 V)



**Note:** Reserred dimming signal polarity connection at the LS6125-3 is correct. Observe polarity connections in all other locations.

Up to 50 luminaires per run under the following conditions:

- Stand-alone static color dimming solution
- Up to fifty (50) dimmed together
- Luminaires driven by integral LED drivers using LS6122 wall plate dimmer
- Luminaires powered through individual or share power supplies
- Refer to 'Maximum Circuit Load' table for circuit limitations
- Always observe local electrical codes for branch circuit current limitations

Control Protocols

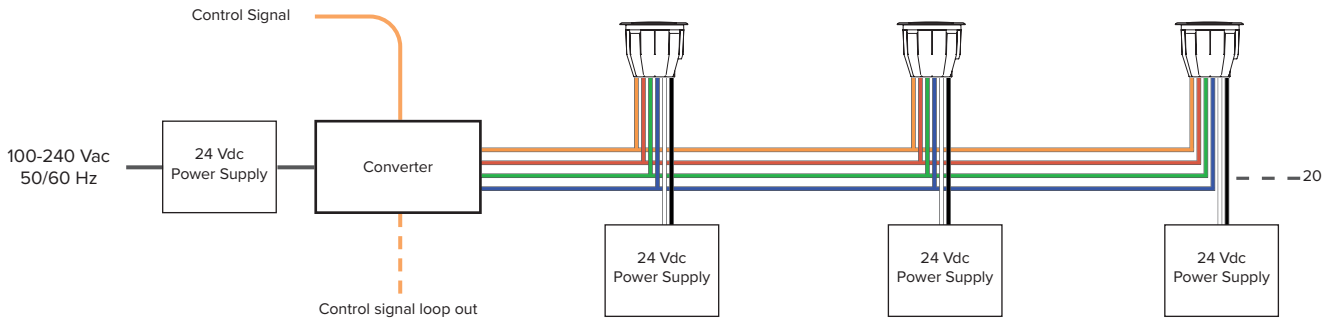
- 0-10 V** For 0-10 V control signal, use LS6125-2 0-10 V to PWM converter

Maximum Circuit Load

	LSLED40W	LSLED120W	LSLED240W	LSLED320W	LSLED480W	LSLED600W
Output Voltage	24 Vdc	24 Vdc	24 Vdc	24 Vdc	24 Vdc	24 Vdc
Wattage	40 W	120 W	240 W	320 W	480 W	600 W
LS793LED, 3 W	7	22	45	60	90	113
LS793LED, 6 W	3	11	22	30	45	56
LS793LED, 9 W	2	8	16	22	33	42

Network Topology – Dynamic Colour (DMX / DALI)

International Market



Up to 20 luminaires per run under the following conditions:

- Up to three (3) individually addressed dimmable channels
- Up to twenty (20) individually addressed and controlled together
- Luminaires driven by integral LED drivers
- Luminaires powered through individual power supplies or
- Single luminaire powered through LS67100 PWM controller
- Refer to 'Maximum Circuit Load' table for circuit limitations
- Always observe local electrical codes for branch circuit current limitations

Control Protocols

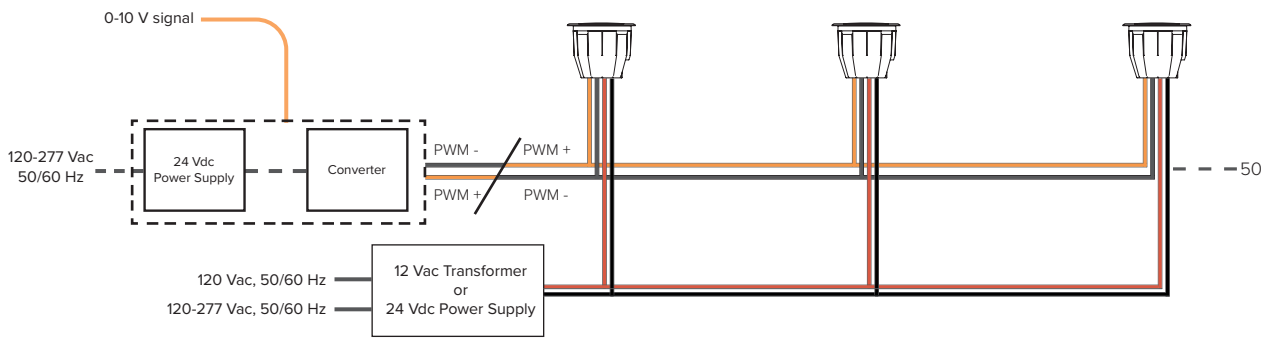
- DMX For DMX control signal, use LS67100 DMX to PWM converter
- DALI For DALI control signal, use LSLED-RGBDIM-DALI converter

Maximum Circuit Load

	LSLED40W	LSLED120W	LSLED240W	LSLED320W	LSLED480W	LSLED600W
Output Voltage	24 Vdc	24 Vdc	24 Vdc	24 Vdc	24 Vdc	24 Vdc
Wattage	40 W	120 W	240 W	320 W	480 W	600 W
LS793LED, 3 W	7	22	45	60	90	113
LS793LED, 6 W	3	11	22	30	45	56
LS793LED, 9 W	2	8	16	22	33	42

Network Topology – Static Colour (0-10 V)

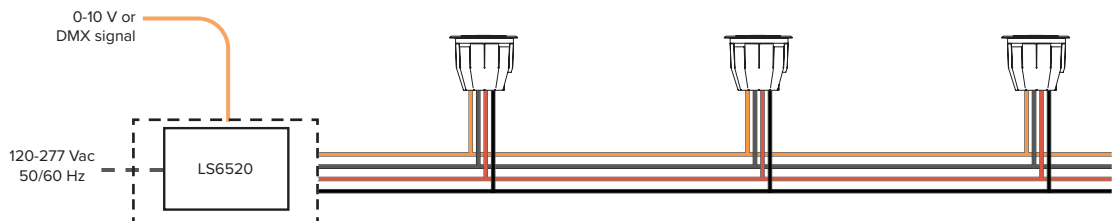
North America Market



Control Protocols

0-10 V For 0-10 V control signal, use LS6133 0-10 V to PWM converter

Network Topology – Static Colour

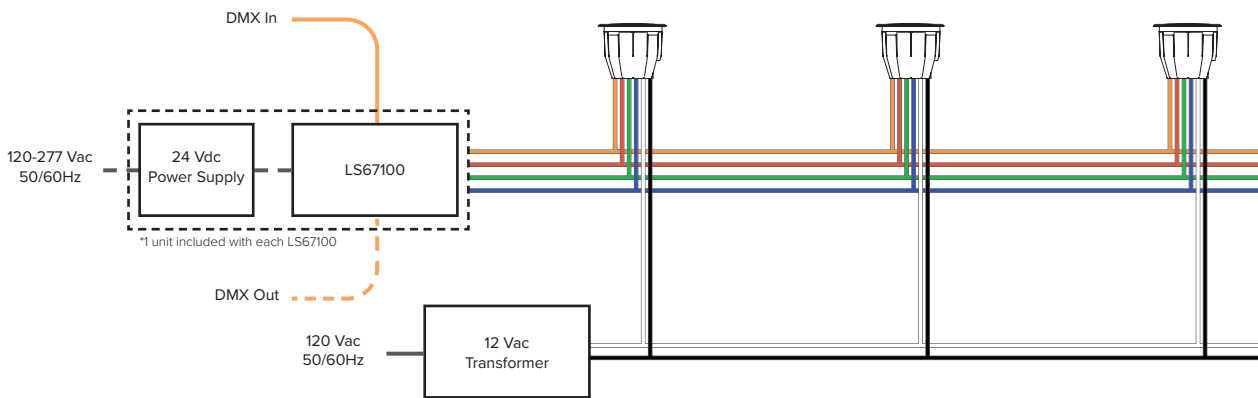


Maximum Circuit Load

	LSLED40W	LSLED120W	LSLED240W	LSLED320W	LSLED480W	LSLED600W
Output Voltage	24 Vdc	24 Vdc	24 Vdc	24 Vdc	24 Vdc	24 Vdc
Wattage	40 W	120 W	240 W	320 W	480 W	600 W
LS793LED, 3 W	7	22	45	60	90	113
LS793LED, 6 W	3	11	22	30	45	56
LS793LED, 9 W	2	8	16	22	33	42

Network Topology – Dynamic Colour (DMX) for 12-15 Vac Circuit

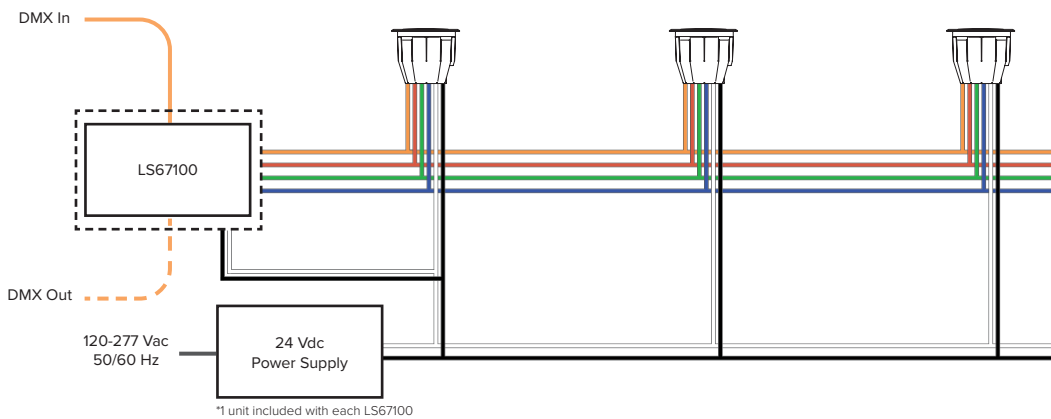
North American Market



Control Protocols

DMX For DMX control signal, use LS67100 DMX to PWM converter

Network Topology – Dynamic Color (DMX) for 24 Vdc Circuit



Control Protocols

DMX For DMX control signal, use LS67100 DMX to PWM converter

Maximum Circuit Load

	LSLED40W	LSLED120W	LSLED240W	LSLED320W	LSLED480W	LSLED600W	LS6520		LS6510	
Output Voltage	24 Vdc	24 Vdc	24 Vdc	24 Vdc	24 Vdc	24 Vdc	24 Vdc	24 Vdc	24 Vdc	24 Vdc
Wattage	40 W	120 W	240 W	320 W	480 W	600 W	240 W	120 W	240 W	120 W
LS793LED, 3 W	7	22	45	60	90	113	45	22	45	22
LS793LED, 6 W	3	11	22	30	45	56	22	11	22	11
LS793LED, 9 W	2	8	16	22	33	42	16	8	16	8