

## LS275LED Star II

Underwater



The LS275LED is a compact, surface mounted fountain light with a long history in high performance applications. Constructed of high pressure die-cast copper alloy, this luminaire is best known for its corrosion resistance and flawless performance. The LED allows for the creative introduction of color and improved energy efficiency, and now features new Lumascope d5 driver technology for advanced dimming and control options.

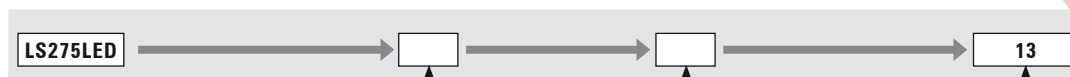
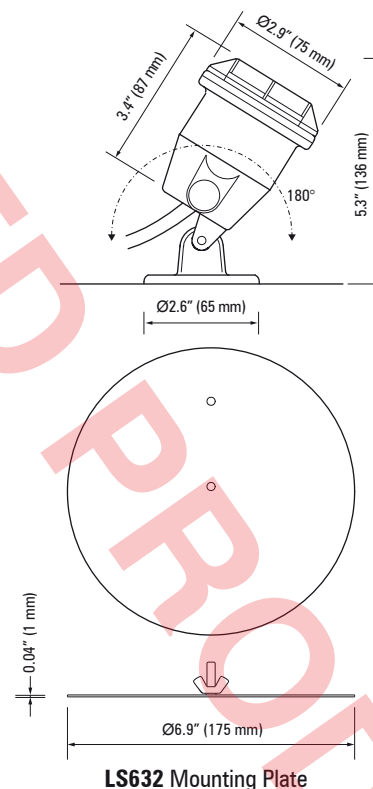
### Specifications

<b>Lamp Source</b>	3 W or 6 W LED <input type="checkbox"/> White (4 300 K typical) <input type="checkbox"/> Warm white (3 000 K typical) <input type="checkbox"/> Blue (470 nm) <i>Other colors by request</i>
<b>Approved Use</b>	Submersible - fountains only
<b>Control Options</b>	0-10 V (current sourcing) PWM On-site or factory-programmable brightness
<b>IP Rating</b>	IP68 to 5' (1.5 m)
<b>Construction</b>	Die-cast copper alloy
<b>Standard Inclusions</b>	<b>MicroAntiLeach™</b> wire entry Thermal cutout 16.4' (5 m) underwater cord <i>For extra length consult factory</i>
<b>Accessories</b>	<b>LS632</b> mounting plate
<b>Remote Transformers</b>	Refer to Technical Data section <i>Order separately</i> for application specific options
<b>Ambient Operating Temperature</b>	-40 °F to 122 °F (-40 °C to +50 °C)
<b>Photometrics</b>	Refer to <a href="http://www.lumascap.com">www.lumascap.com</a>

*Any luminaire can become hot - take care with appropriate use and placement*



LS275LED Star II



LAMP				OPTICAL SYSTEM			INPUT VOLTAGE	
Description	Wattage	Color	Code	Beam	Code	Description	Code	
LED	3 W	White (4 300 K typ.)	<b>3W4</b>	Narrow Medium	25°	12-15 V, 60 Hz	<b>13<sup>(1)</sup></b>	
		Warm white (3 000 K typ.)	<b>3H6</b>	Medium	30°	0-10 V or PWM Dimmable Driver, 12-15 V, 60 Hz	<b>13-DIM<sup>(1)</sup></b>	
		Blue (470 nm)	<b>3B4</b>	Wide	40°			
	6 W	White (4 300 K typ.)	<b>6W4</b>					
		Warm white (3 000 K typ.)	<b>6H6</b>					
		Blue (470 nm)	<b>6B4</b>					

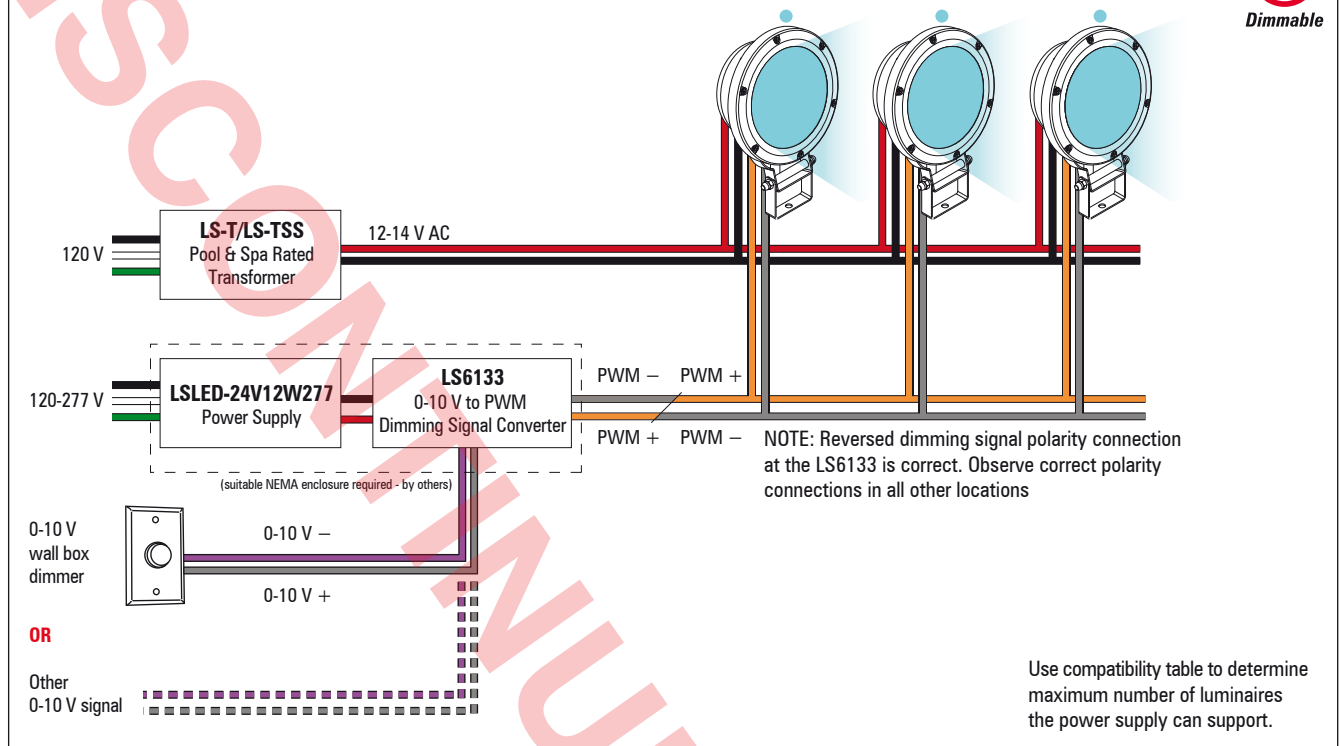
<sup>(1)</sup> Requires appropriate transformer.

#### Dimmable Wiring Diagram Reference

Input Voltage	LED Color	Control Type	Wiring Diagram
13-DIM	Single Color	PWM	5

Diagram 5 - 0-10 V Dimming - Low Voltage Submersible LED Luminaire with d5 Driver on 12-14 V AC Circuit

Please note: The use of a GFCI may be required. Consult local wiring rules.



NOTE: The above diagrams are intended to show electrical pathways between luminaires and ancillary devices. These diagrams are not intended to show type or color of cord/wire, wire gauge or approved use of the cord/wire supplied with luminaires.

**Consult the luminaire-specific cutsheet or the factory for detailed specifications.**

## Transformers for Submersible & Swimming Pool-rated LED Luminaires

The following list of transformers are for use with submersible and/or pool rated luminaires specifically described as being compatible with either 12 V AC (wirewound only) transformers. Compatibility will be noted in the ordering code of the luminaire concerned, and will typically be referenced by Voltage Code '13' or '13-DIM'. In the case of '13-DIM' additional components may be required. Refer to the applicable wiring diagram/s.

Compatibility with each transformer or power supply is indicated by the value mentioned, representing the maximum number of luminaires that may be powered from each transformer or power supply. Please note, this does not take into consideration voltage drop or ampacity limits of the branch circuit. For assistance, please contact factory.

	Pool, Spa & Fountain Transformers					
	LS-T-100	LS-TSS-100	LS-T-300	LS-TSS-300	LS-T-500	LS-TSS-500
<b>Input Voltage</b>	120 V, 60 Hz	120 V, 60 Hz	120 V, 60 Hz	120 V, 60 Hz	120 V, 60 Hz	120 V, 60 Hz
<b>Output Voltage</b>	12/13/14 V 60 Hz	12/13/14 V 60 Hz	12/13/14 V 60 Hz	12/13/14 V 60 Hz	12/13/14 V 60 Hz	12/13/14 V 60 Hz
<b>Wattage</b>	100 W	100 W	300 W	300 W	500 W	500 W
<b>LS275LED, 3 Watt</b>	14	14	42	42	70	70
<b>LS275LED, 6 Watt</b>	7	7	23	23	38	38

## Pool, Spa and Fountain Transformers

**LS-T-100 / LS-TSS-100**

Magnetic transformer - wall mounted

<b>Input</b>	120 V
<b>Rating</b>	100 W
<b>Output</b>	12/13/14 V
<b>Output Circuits</b>	1
<b>Protection</b>	Electrostatic shield, short circuit and over-voltage breaker
<b>Approvals</b>	UL, CUL
<b>NEMA Rating</b>	3R
<b>Construction</b>	Powder coated steel / stainless steel (LS-TSS-100)
<b>Dimensions</b>	<b>H</b> 9.06" (230 mm) <b>W</b> 5.06" (129 mm) <b>D</b> 4.59" (117 mm)
<b>Weight</b>	12.5 lb (5.7 kg)

**LS-T-500 / LS-TSS-500**

Magnetic transformer - wall mounted

<b>Input</b>	120 V
<b>Rating</b>	500 W
<b>Output</b>	12/13/14 V
<b>Output Circuits</b>	1
<b>Protection</b>	Electrostatic shield, short circuit and over-voltage breaker
<b>Approvals</b>	UL, CUL
<b>NEMA Rating</b>	3R
<b>Construction</b>	Powder coated steel / stainless steel (LS-TSS-500)
<b>Dimensions</b>	<b>H</b> 9.06" (230 mm) <b>W</b> 5.06" (129 mm) <b>D</b> 4.59" (117 mm)
<b>Weight</b>	14 lb (6.4 kg)

**LS-T-300 / LS-TSS-300**

Magnetic transformer - wall mounted

<b>Input</b>	120 V
<b>Rating</b>	300 W
<b>Output</b>	12/13/14 V
<b>Output Circuits</b>	1
<b>Protection</b>	Electrostatic shield, short circuit and over-voltage breaker
<b>Approvals</b>	UL, CUL
<b>NEMA Rating</b>	3R
<b>Construction</b>	Powder coated steel / stainless steel (LS-TSS-300)
<b>Dimensions</b>	<b>H</b> 9.06" (230 mm) <b>W</b> 5.06" (129 mm) <b>D</b> 4.59" (117 mm)
<b>Weight</b>	13 lb (5.9 kg)

## Control Related Equipment

**LS6133**

0-10 V to PWM translator - NEMA enclosure required (by others)

<b>Input</b>	24 V DC
<b>Rating</b>	96 W max
<b>Output</b>	4 A max
<b>Output Circuits</b>	1
<b>Approvals</b>	UL, CUL Recognized, Class 2
<b>IP Rating</b>	IP66
<b>Dimensions</b>	<b>H</b> 5.2" (132 mm) <b>W</b> 1.3" (33 mm) <b>D</b> 1" (25 mm)
<b>Weight</b>	0.2 lb (0.1 kg)

**LS67100**

DMX to PWM translator - dry location only

<b>Input</b>	24 V DC
<b>Rating</b>	4 x 60 W max
<b>Output</b>	4 x 2.5 A max
<b>Output Circuits</b>	4
<b>Approvals</b>	UL, CUL
<b>IP Rating</b>	N/A
<b>Dimensions</b>	<b>H</b> 11.25" (286 mm) <b>W</b> 4.6" (117 mm) <b>D</b> 3.2" (82 mm)
<b>Weight</b>	0.5 lb (0.2 kg)