

## LS121LED Cassia

Wallmount



The LS121LED is a compact, fixed position, direct/indirect accent used for grazing walls or other accent illumination tasks. The luminaire is constructed from either copper or powder coated aluminum, providing a variety of aesthetic options. This luminaire is ideal for use in modern architectural designs, and now features new Lumascape d5 driver technology for advanced dimming and control options.

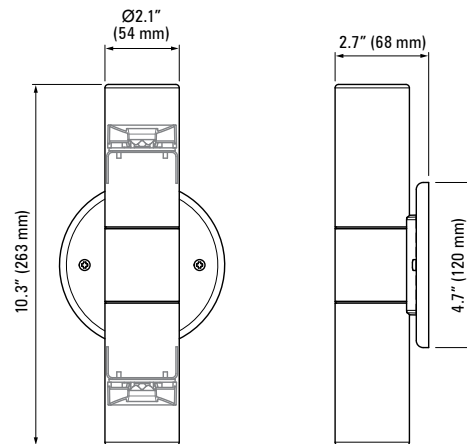
### Specifications

<b>Lamp Source</b>	2 x 6 W LED <input type="checkbox"/> White (4 300 K typical) <input type="checkbox"/> Warm white (3 000 K typical) <input type="checkbox"/> Blue (470 nm)
<b>Lumen Output</b>	2 x 512lm (2 x 6W, 4000K, 14°)
<b>Approved Use</b>	Suitable for wet locations
<b>Control Options</b>	0-10 V (current sourcing) PWM On-site or factory-programmable brightness
<b>IP Rating</b>	IP65
<b>Construction</b>	Powder coated aluminum <input type="checkbox"/> Black <input type="checkbox"/> Silver Polished copper
<b>Installation Type</b>	Wall mount
<b>Remote Transformers / Power Supplies</b>	<b>LSLED-15V20W277</b> J-box power supply for non-dimming applications Refer to Technical Data section for application specific options <i>Order separately</i>
<b>Ambient Operating Temperature</b>	-4 °F to 104 (-20 °C to 40 °C)
<b>Photometrics</b>	Refer to <a href="http://www.lumascape.com">www.lumascape.com</a>

Any luminaire can become hot - take care with appropriate use and placement



LS121LED Cassia



LS121LED				OPTICAL SYSTEM		INPUT VOLTAGE		FINISH		
Description	Wattage	Color	Code	Beam	Code	Description	Code	Description	Material	Code
LED	2 x 6 W	White (4 300 K typical)	<b>12W4</b>	Narrow 14°	<b>NR</b>	0-10 V or PWM Dimmable Driver, 12-15 V, 60 Hz or 12-24 V DC <sup>(1)</sup> Requires appropriate transformer.	<b>23<sup>(1)</sup></b>	Black, powder coated	Aluminum	<b>BL</b>
		Warm white (3 000 K typical)	<b>12H6</b>	Narrow Medium 25°	<b>NM</b>			Silver, powder coated	Aluminum	<b>SL</b>
		Blue (470 nm)	<b>12B4</b>	Medium 30°	<b>ME</b>			Polished	Copper	<b>CU</b>
				Wide 40°	<b>WD</b>					

### Dimmable Wiring Diagram Reference

Input Voltage	LED Color	Control Type	Wiring Diagram
23	Single Color	PWM	2,3,4

Diagram 2 - 0-10 V Dimming Via Current Sourcing Module, or Pulse Width Modulated Dimming (PWM) - Low Voltage LED Luminaire with d5 Driver on 24 V DC Circuit

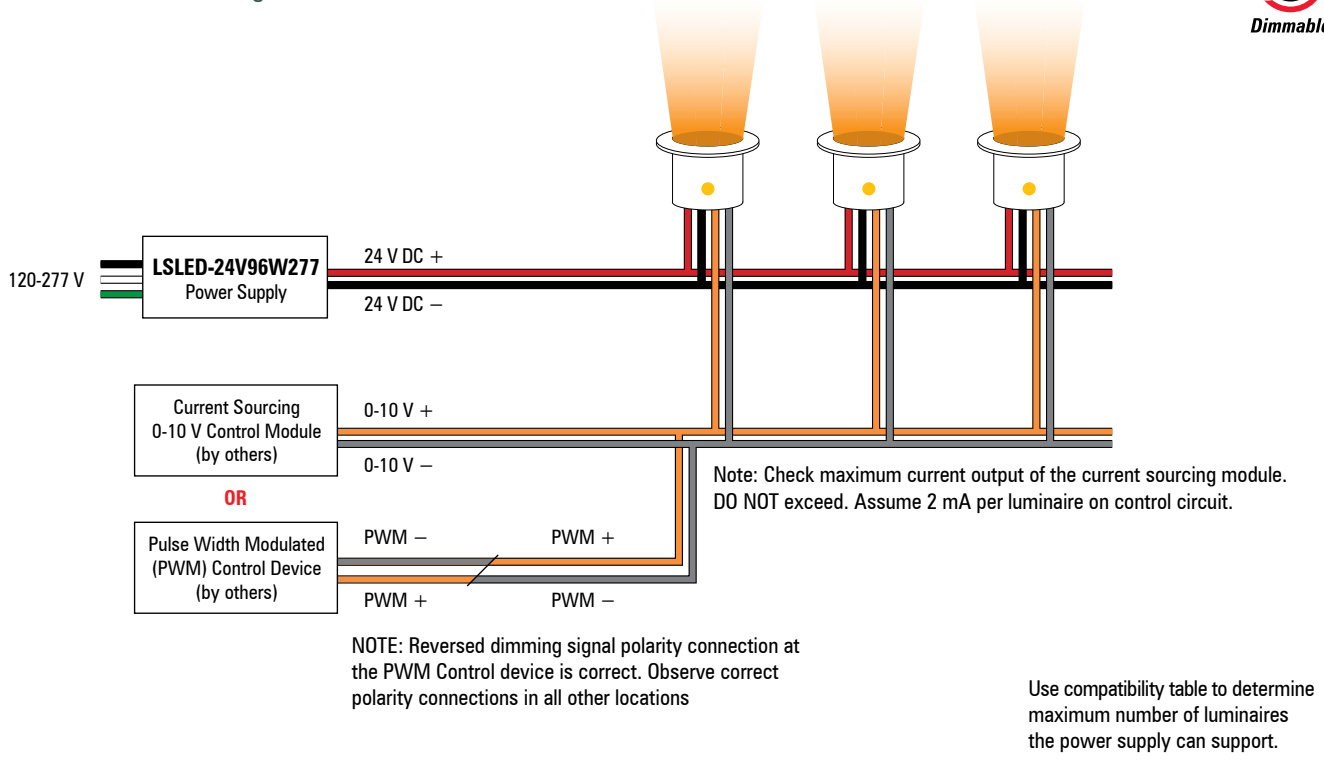
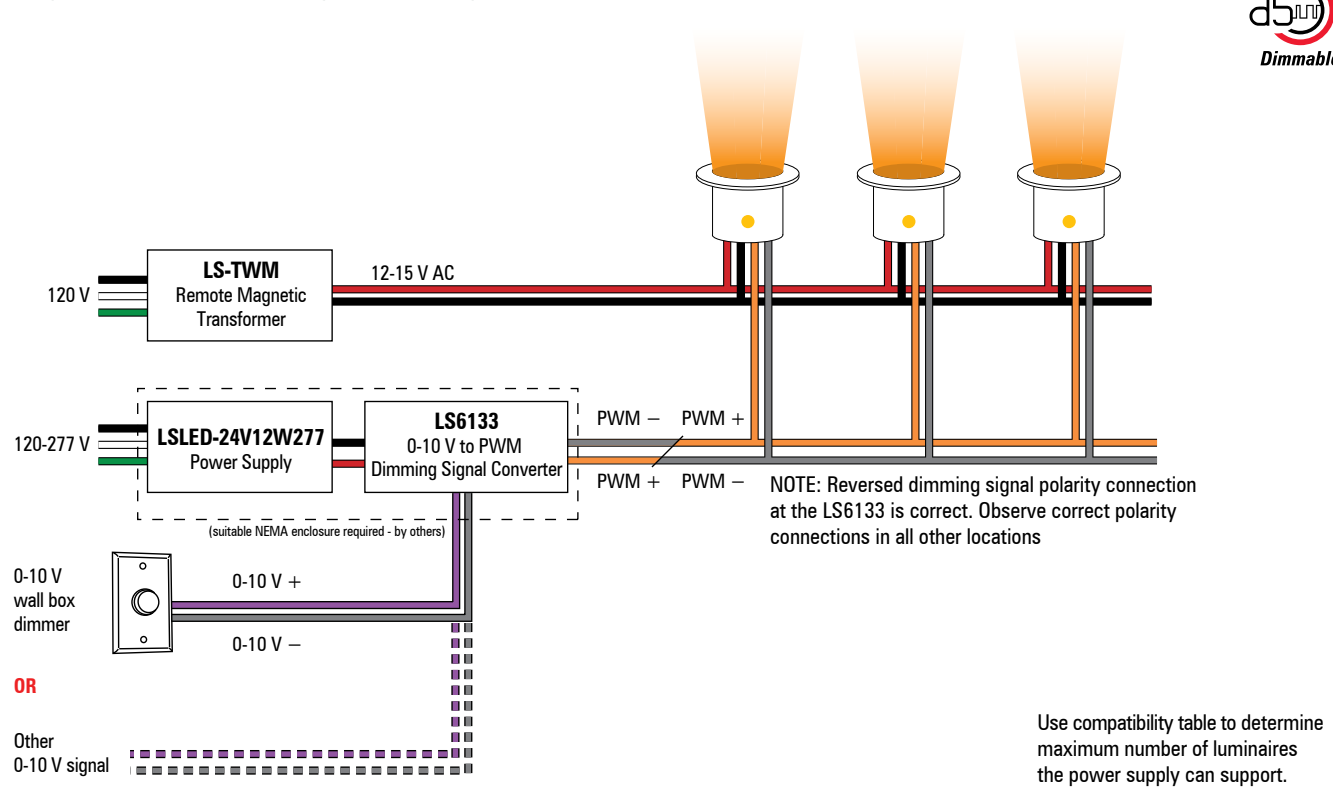


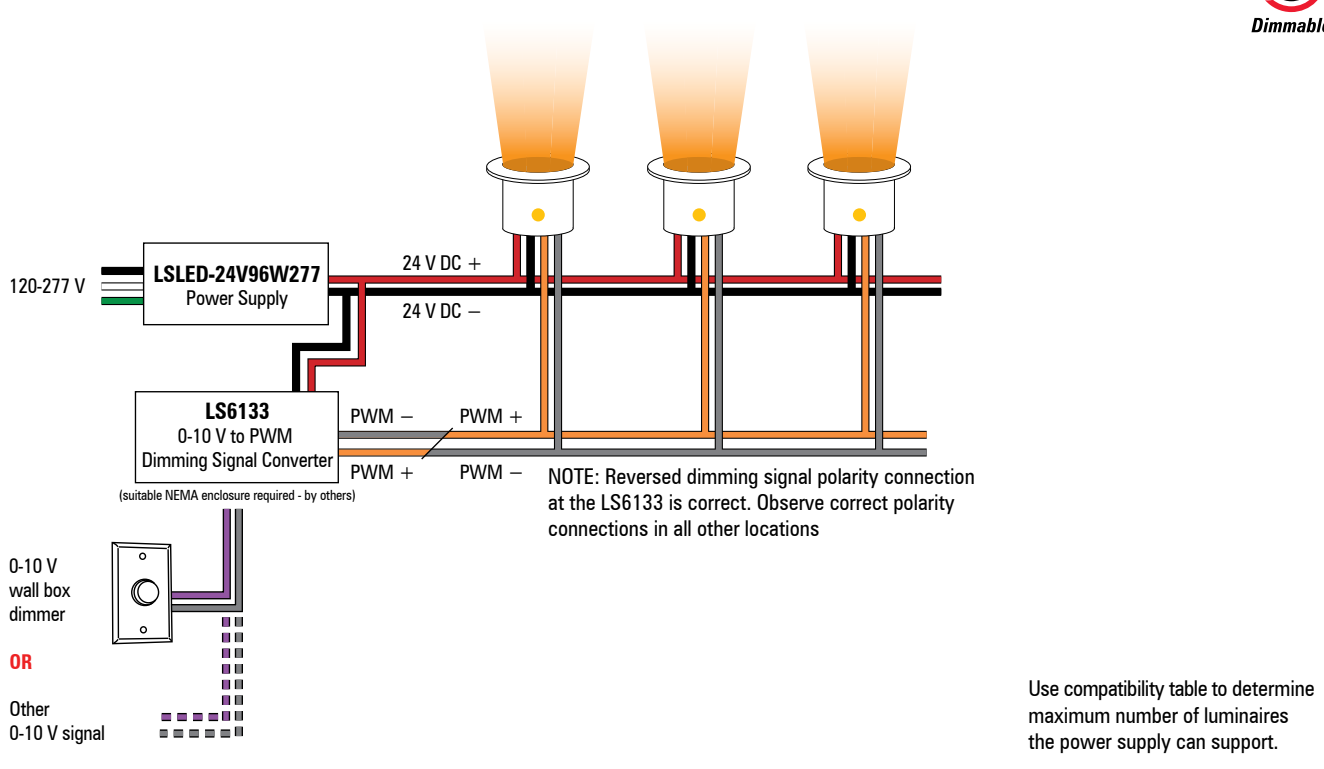
Diagram 3 - 0-10 V Dimming - Low Voltage LED Luminaire with d5 Driver on 12-15 V AC Circuit



NOTE: The above diagrams are intended to show electrical pathways between luminaires and ancillary devices. These diagrams are not intended to show type or color of cord/wire, wire gauge or approved use of the cord/wire supplied with luminaires.

**Consult the luminaire-specific cutsheet or the factory for detailed specifications.**

Diagram 4 - 0-10 V Dimming - Low Voltage LED Luminaire with d5 Driver on 24 V DC Circuit



NOTE: The above diagrams are intended to show electrical pathways between luminaires and ancillary devices. These diagrams are not intended to show type or color of cord/wire, wire gauge or approved use of the cord/wire supplied with luminaires.

**Consult the luminaire-specific cutsheet or the factory for detailed specifications.**