

IMPORTANT INSTRUCTIONS

For Installation of fitting LS333ANS/LS333ANS-LED

Warning: The Luminaire should only be used complete with its protective shield (cover)

Lumascope USA Inc.
1300 Industrial Rd., Unit #19
San Carlos, CA 94070, USA
T 1-(650)-595-LUMA(5862)
F 1-(650)-595-5820
E info@lumascope.com
W www.lumascope.com
Free Call 1-866-695-LUMA(5862) US & Canada

WARNING

DO NOT SHORTEN, INTERFERE OR DISCONNECT CABLE FROM FITTING. WARRANTY WILL BE VOID IF CABLE ASSEMBLY IS TAMPERED WITH.

1 INSTALLATION - WET NICHE

- To aid installation of the cable the number of elbows and bends should be kept to a bare minimum.
- Check cable length required taking into account voltage drop and distance to transformer.
- Except when the fixture is installed in an area of the swimming pool that is not used for swimming and the lens is adequately guarded to keep any person from contacting it, the fixture shall be installed in or on a wall of the pool, with the top of the lens opening not less than 18 in. below the normal water level of the pool.
- Use only with rigid PVC conduit, Liquidtight flexible nonmetallic or equivalent.
- Connect to a suitable 12 V AC pool and spa rated transformer. Follow NEC wiring rules for connection and location of transformer. Do not join cable underwater. Use in conjunction with an approved Transformer.
- Fixture is only suitable for direct conduit entry to forming shell.
- Locate niche in pool and wire to reinforcing bars. Ensure a good connection between earth stud on the back of the fixture and the reinforcing bars. The conduit entry should be at top of niche. Although some variation is accommodated by the outer cover system on the fixture, care should be taken to position the niche level and to allow for pool finishing materials (fig 1). Connect conduit to conduit entry with suitable conduit sealant. Run the conduit above water level, to site of 12 V AC transformer.
- Fit fibreboard shield to opening of niche before concreting. Ensure no concrete enters niche.
- Encase niche and conduit in concrete. Once in place, finish surface of pool flush with front of niche.
- Feed cable into niche, allowing sufficient free cable in niche to allow the fitting to be placed on the poolside for servicing. **A maximum of 4'3" of cable can be coiled inside the niche.**
- Test the fitting for correct operation.
- Install outer cover and insert screws through seal.
- Coil free cable inside niche and install fitting in niche by screwing long outer cover screws into niche brackets. Coil cable inside fitting with care. Do not double coils over, or fitting will be difficult to remove from niche.

IMPORTANT: DO NOT RUN ASSEMBLED FIXTURE DRY. Pool should be full before lighting.

Note:

- Do not locate fitting near heat sources.
- Connect to 12 V AC input.
- Chlorine levels must be kept below 4 parts per million. Higher levels may cause corrosion to the fixture and void warranty.

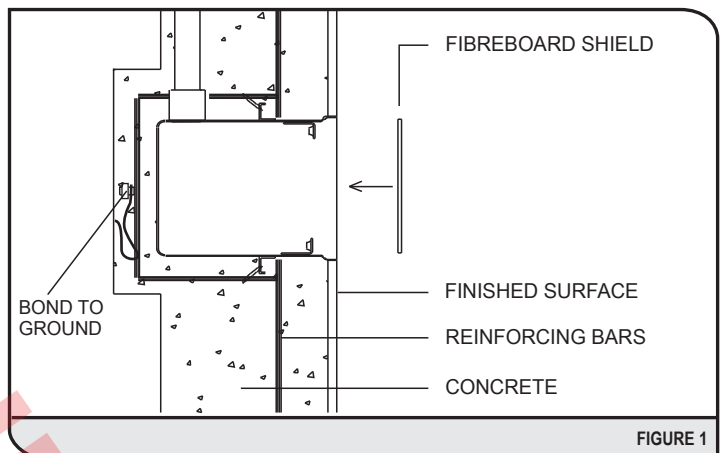


FIGURE 1

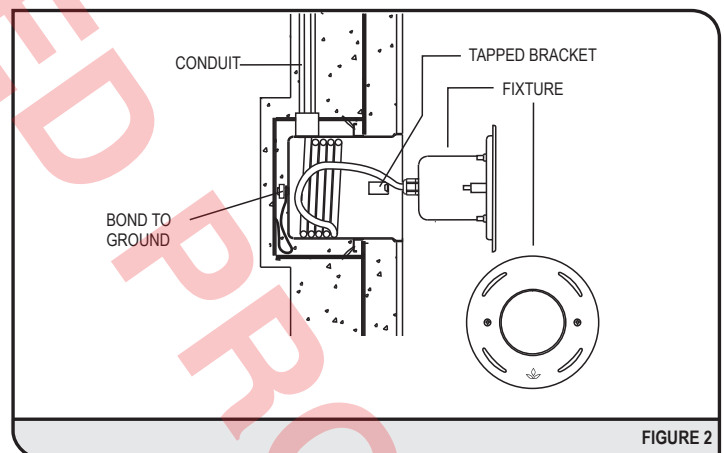


FIGURE 2