



The Erden E6 Foundation is a shallow-depth medium powered in-ground that combines technology and performance in a modern shallow form factor. Packed with features including **EasyGlow™** visual comfort technologies. Available with integrated DALI control, 0-10 V dimming or as non-dimmable.

Performance

Static White & Color ¹	Lumen Output (lm)	Efficacy (lm/W)	Peak Intensity (cd)
● 2,700 K (80 CRI)	1,990	80	43,400
● 3,000 K (80 CRI)	2,080	84	45,200
○ 3,500 K (80 CRI)	2,245	91	48,900
● 4,000 K (80 CRI)	2,245	91	48,900
● 5,000 K (70 CRI)	2,080	84	45,200

¹ Lumen output values are based on a 10° lens.

Beam Angles	10°, 13°, 20°, 26°, 47°, 10° x 40°, 40° x 10°, 20° x 60°, 60° x 20°
--------------------	---



Products and specifications are subject to change without notice.
LS3062-231121

Electrical

LED Power	24 W
Power Consumption	25 W
Lifetime	>60,000 hrs (B10, L70)
Input Voltage	International 220 to 240 Vac, 50 Hz North America 120/277 Vac, 60 Hz
Earth Leakage	0.15 mA @ 120 V, 0.17 mA @ 240 V, 0.15 mA @ 277 V
Thermal Management	CoolDrive™ onboard thermal monitoring and control

Control

Protocols	Dali 2 (International), 0-10 V (North America), Non-Dimmable
-----------	--

Physical

Housing	Marine-grade 316 stainless steel housing, high-strength glass, teflon-coated cover screws and marine-grade 316 stainless steel cover (polished or brushed finish).
Installation	Pre-Installation blockout for concrete pour, drive-over and general use applications. Mounting collar for decks and grates. Direct burial for landscapes, planters and special applications.
Mounting Accessories	LS6052-K Pre-Installation concrete blockout LS640-2 Mounting collar for decks and grates
Adjustable	-20° to +20° tilt, 360° rotation
Ambient Operating Temperature	-4°F to 122°F (-20°C to 50°C)
Surface Temperature	≤149°F (65°C)
Weight	8.8 lbs (4.0 kg)
Drive-Over	With OptiClear lens and pre-installation kit (LS6052-K)

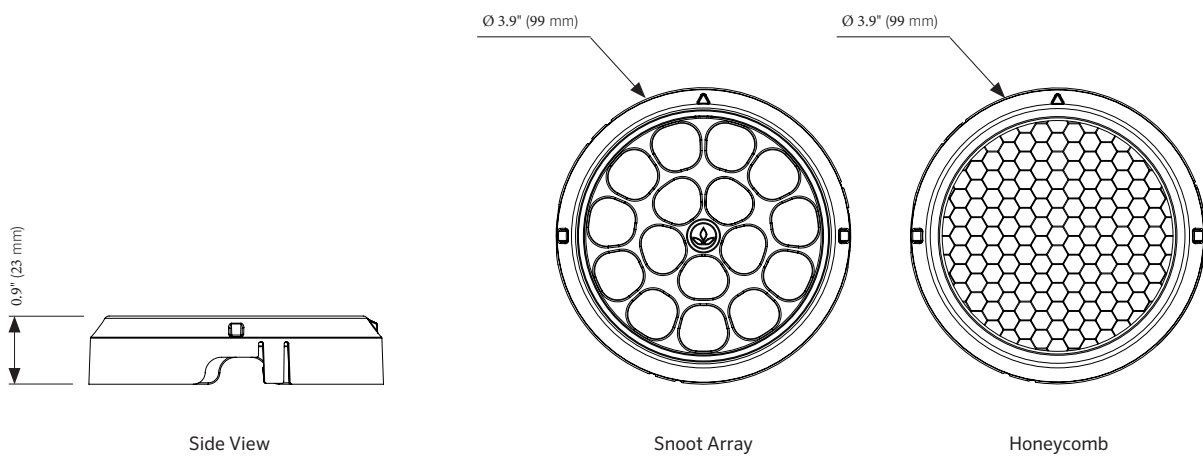
Certification & Compliance

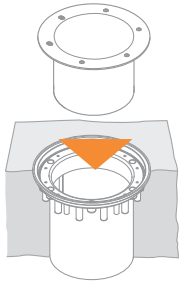
IP Rating	IP68
IK Rating	IK10
Static Load Rating	9,259 lbs (4,200 kg)
Environment	Dry, Damp, Wet locations Inherently protected Suitable for use in poured concrete
Certifications	ETL, CE, RCM

Accessories



Technical Drawings



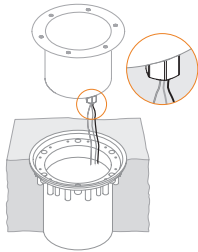


Pre-Installation Blockout

This type of installation requires the **LS6052-K** Pre-Installation Kit (ordered separately), which acts as a concrete blockout and is intended for installation before the luminaire. This method ensures the luminaire itself is not damaged during concreting or other site works.

Used for	Drive over applications General use applications Concrete pour applications where luminaire is to be installed after site work has been completed.
Benefits	Easy removal for servicing
Accessories	LS6052-K Pre-Installation Blockout

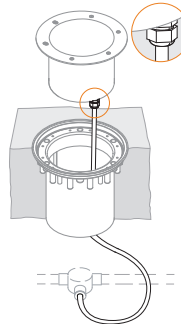
Connection type '82'
North American market only



1/2" NPT Adapter

The luminaire is factory-fitted with 6.5' (2.0 m) hookup wire. Ensure terminations can be made within this length. For other length options, consult Lumascape.

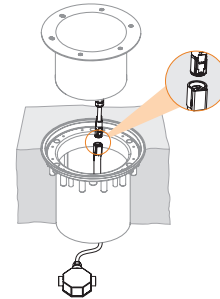
Connection type '84'



Flexible Cable

For connections to the branch circuit via junction box (by others) or other approved method. 9.8' (3 m) length. For other length options, contact Lumascape.

Connection type '77/87'



IP68 Connector & Junction Box

The luminaire is fitted with an IP68 connector, which attaches directly to the cable supplied with LS644-K without the use of any tools. The cable is 3' (1 m) in length and is factory assembled with a junction box.

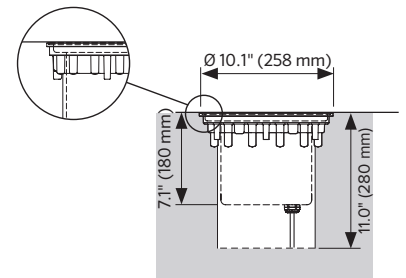
Flush Cover Options

Flush covers for pre-installation, use special seals and support bushes to ensure static loads up to 9,259 lbs (4,200 kg) are properly supported. To achieve this drive-over rating, OptiClear™ or GripGlass™ must be used.



Pre-Installation Blockout Round Flush Cover

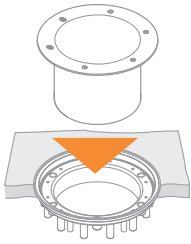
- SS316: Polished
- SS316: Brushed



Specification

Use the table below to specify your Pre-Installation Blockout.

LS6052-K	-					
Connection Type		Code				
Flexible cable, single entry, for hardwired installations (International) or Hookup wire and 1/2" NPT (82), single entry, for hard wired installations (North America only)		84				
Flexible cable, single entry, for connectorized installations (non-dimming applications only)		87				
			Input Voltage	Code		
			220-240 Vac, 50 Hz (International)	01		
			120/277 Vac, 60 Hz (North America)	09		
			Input Voltage	Code	Control	Code
Flexible cable, single entry, for connectorized installations	77		220-240 Vac, 50 Hz (International)	01	DALI (International)	DL
			120/277 Vac, 60 Hz (North America)	09	0-10 V (North America)	AH



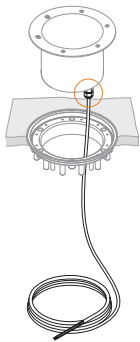
Mounting Collar for decks and grates

This type of installation requires the LS640-2 Mounting Collar (ordered separately), to support the installation in decks, grates and hollow floors with sufficient ventilation.

Not available in North America.

Used for	Decks and grates Hollow floors with sufficient ventilation
Benefits	Easy installation in decks, grates and hollow floors
Accessories	LS640-2 Mounting Collar

Connection type '84'



Flexible Cable

For connections to the branch circuit via junction box (by others) or other approved method. 6.5' (2 m) length. For other length options, contact Lumascape.

Specification

Use the table below to specify your Mounting Collar.

	LS640-2
Connection Type	Code
Mounting Collar for use with hard wire connections only	LS640-2

For more information and other cable entry options, contact Lumascape.

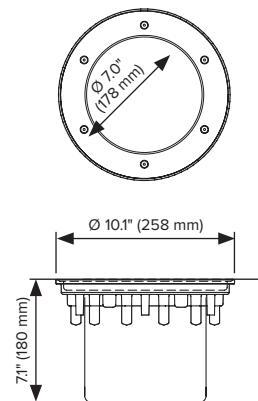
Flush Cover Options

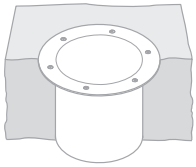
Flush covers for mounting collar use special seals and support brushes.



Pre-Installation Blockout Round Flush Cover

- SS316: Polished
- SS316: Brushed



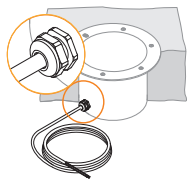


Direct Burial

Luminaire is put directly into soil or concrete.

Used for	Landscaping areas Applications where depth is restricted Rate for use in concrete pour applications Economical options
Benefits	Easy removal for servicing
Restrictions	Not as easy to remove for service as pre-installation version Not suitable for drive-over (requires pre-installation kit)

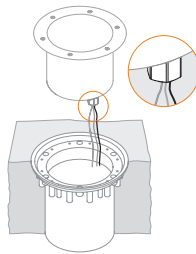
Connection type '84'



Flexible Cable

For connections to the branch circuit via junction box (by others) or other approved method. 9.8' (3 m) length. For other length options, contact Lumascape.

Connection type '82'
North American market only



1/2" NPT Adapter

The luminaire is factory-fitted with 6.5' (2 m) hookup wire. Ensure terminations can be made within this length. For other length options, consult Lumascape.

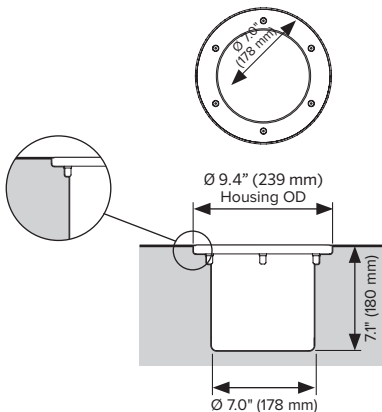
Recessed Cover Options

Use recessed cover for installation in soil, grass, pavers and other uneven surfaces where no cover overhang is required.



Round Recessed Cover

- SS316: Polished
- SS316: Brushed



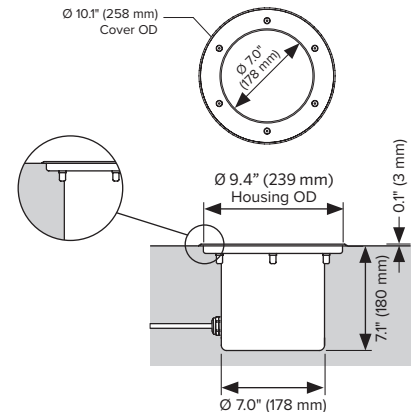
Flush Cover Options

Use flush covers for installation in fine finished surfaces such as granite and marble. Can also be used in some suspended applications to conceal gaps between the luminaire and the surrounding surface.

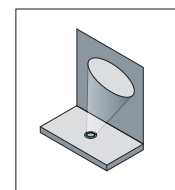
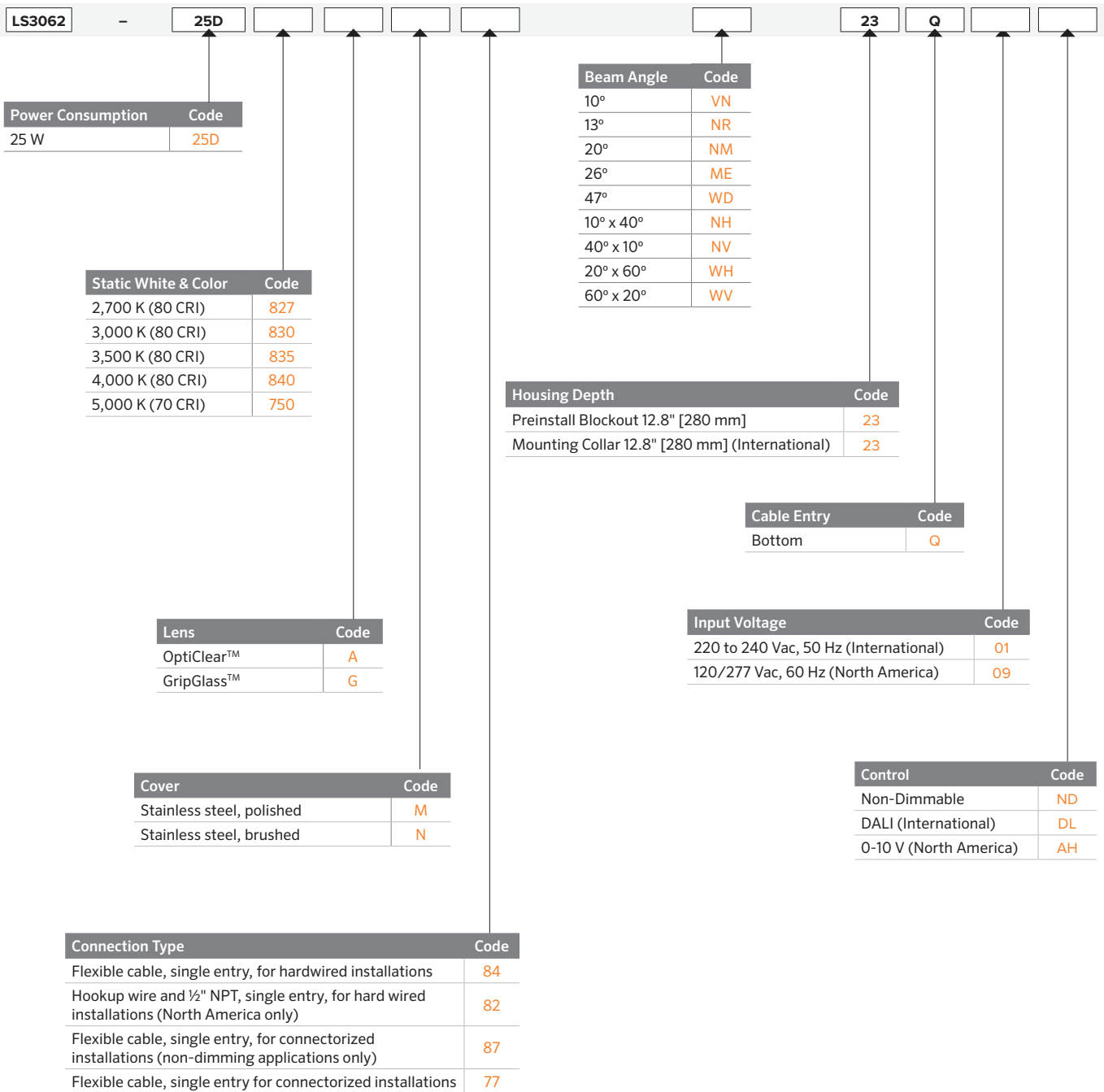


Round Flush Cover

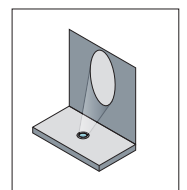
- SS316: Polished
- SS316: Brushed



Pre-Installation Specification Matrix

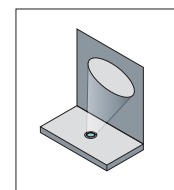
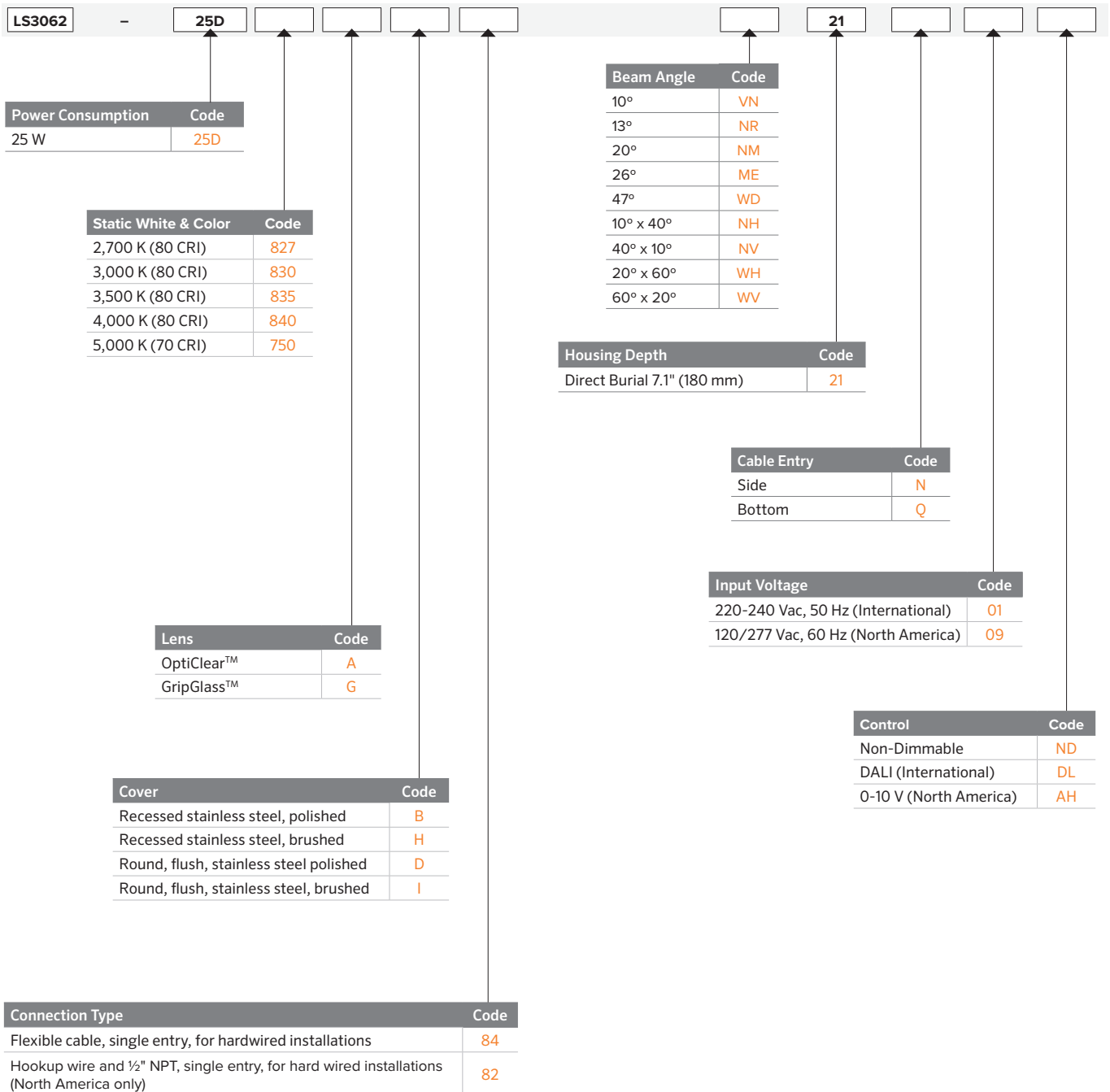


Beam Orientation for the "NH" and "WH" optical system

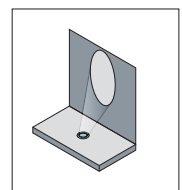


Beam Orientation for the "NV" and "WV" optical system

Direct Burial Specification Matrix

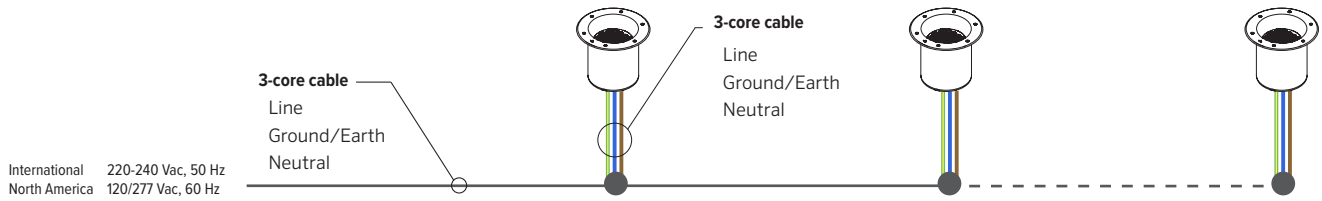


Beam Orientation for the "NH" and "WH" optical system

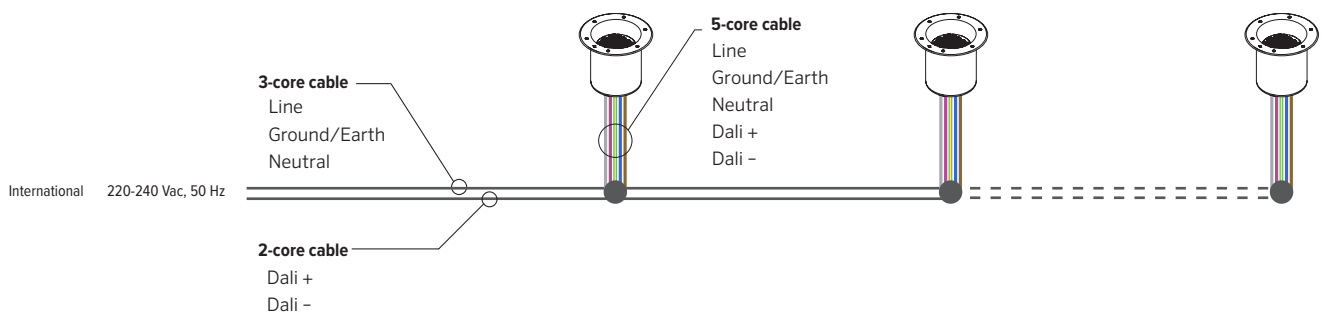


Beam Orientation for the "NV" and "WV" optical system

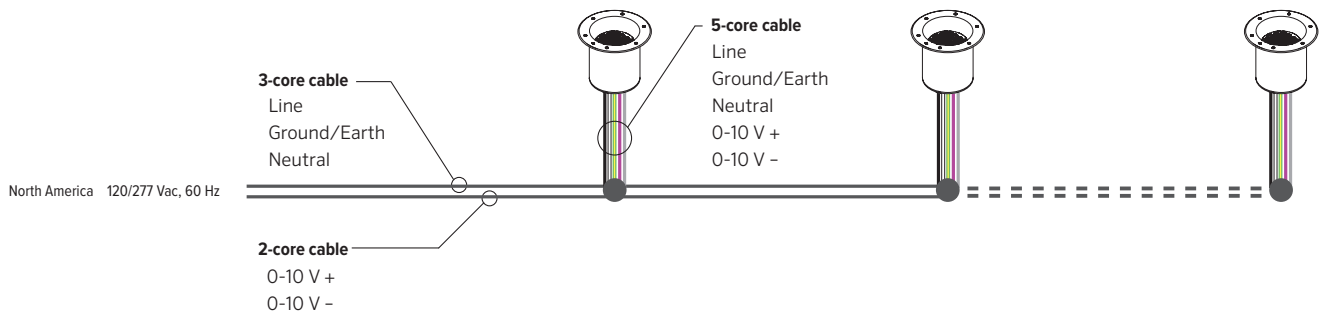
Network Topology – Line Voltage 220 to 240 Vac, 120/277 Vac Non-Dimmable



Network Topology – Line Voltage 220 to 240 Vac DALI



Network Topology – Line Voltage 120/277 Vac 0-10 V



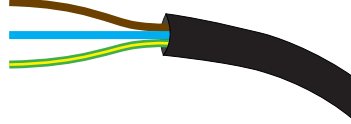
NOTE:

For all luminaire wire colors and designations see page 10.

Luminaire Wire Colors & Designations

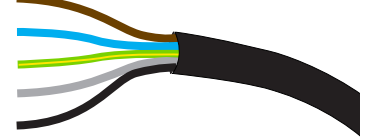
Non-Dimmable Line Voltage 220-240 Vac - International

Designation	Color
Line	Brown
Neutral	Blue
Ground/Earth	Green / Yellow



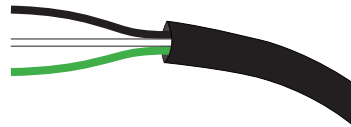
DALI Line Voltage 220-240 Vac - International

Designation	Color
Line	Brown
Neutral	Blue
Ground/Earth	Green / Yellow
DALI +	Grey
DALI -	Black



Non-Dimmable Line Voltage 120/277 Vac - North America

Designation	Color
Line	Black
Neutral	White
Ground/Earth	Green/Yellow



0-10 V Line Voltage 120/277 Vac - North America

Designation	Color
Active	Black
Neutral	White
Ground/Earth	Green / Yellow
0-10 V +	Purple
0-10 V -	Pink or Gray

