

LS265LED Tristar

Underwater



The LS265LED is a high performance fountain light utilizing LED technology. The durable Lumascape 316 marine grade stainless steel housing and long life LED are an ideal combination. The Tristar is designed to operate on pool and spa rated magnetic transformers making the installation as simple as other low voltage underwater luminaires. The LS265LED has the added advantage of being supplied factory sealed, with no requirement to open the luminaire during installation. This luminaire can also operate in very shallow water.

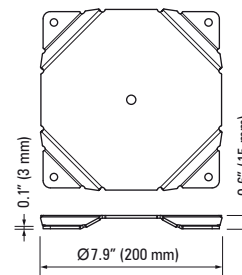
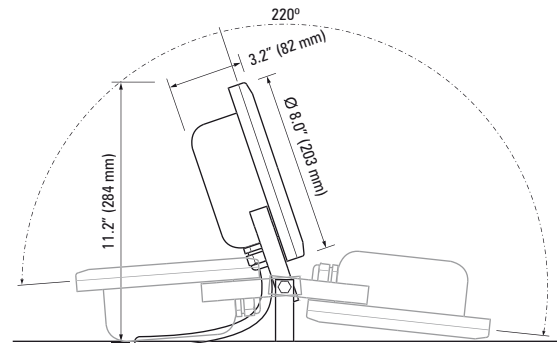
Specifications

| | |
|---|---|
| Lamp Source | 28 W LED □ White (4 300 K typical) ■ Warm white (3 000 K typical) ■ Blue (470 nm) <i>Other colors by request</i> ■ RGB |
| Approved Use | Submersible - fountains only |
| Control Options | PWM |
| IP Rating | IP68 to 6' (2 m) |
| Construction | 316 marine grade stainless steel |
| Standard Inclusions | Teflon coated cover screws MicroAntiLeach™ wire entry 16.4' (5 m) underwater cord <i>For extra length consult factory</i> |
| Accessories | LS6074 mounting plate |
| Remote Transformers <i>Order separately</i> | Refer to Technical Data section for application specific options |
| Ambient Operating Temperature | -22 °F to 104 °F (-30 °C to +40 °C) |
| Photometrics | Refer to www.lumascap.com |

Any luminaire can become hot - take care with appropriate use and placement



LS265LED Tristar
 Underwater version



LS6074 Mounting Plate

| LAMP | | | | OPTICAL SYSTEM | | | INPUT VOLTAGE | |
|-------------|---------|---------------------------|-------------|-------------------|-----------|--------------------------|--|------------------------------|
| Description | Wattage | Color | Code | Beam | | Code | Description | Code |
| LED | 28 W | White (4 300 K typ.) | 28W4 | Narrow Medium | 25° | NM | 12-15 V, 60 Hz | 13 ⁽¹⁾ |
| | | Warm white (3 000 K typ.) | 28H6 | Medium | 30° | ME ⁽¹⁾ | PWM Dimmable Driver, 12-15 V, 60 Hz | 13-DIM ⁽¹⁾ |
| | | Blue (470 nm) | 28B4 | Linear Horizontal | 40° x 20° | LH ⁽²⁾ | | |
| | | RGB | 28M4 | Linear Vertical | 20° x 40° | LV ⁽²⁾ | | |

⁽¹⁾ Recommended for best RGB color mixing.
⁽²⁾ Refer to beam orientation diagram.

Dimmable Wiring Diagram Reference

| Input Voltage | LED Color | Control Type | Wiring Diagram |
|---------------|--------------|--------------|----------------|
| 13-DIM | Single Color | PWM | 7 |
| 13-DIM | RGB | PWM | 10 |

Photometrics

Photometric data is based on test results from a NIST traceable testing lab. IES data is available at www.lumascap.com.

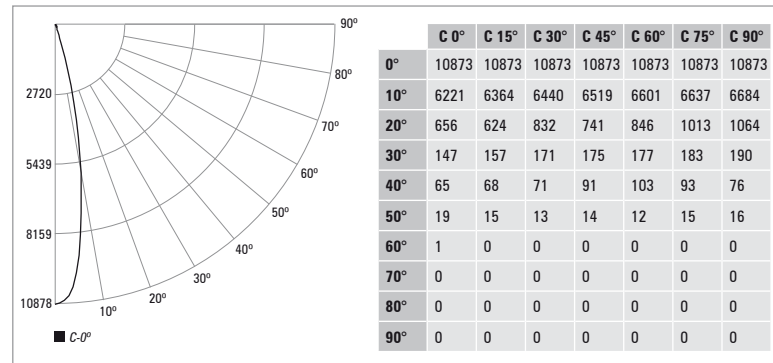
Note: No depreciation factor is applied to the data shown.

LS265LED 4 300 K⁽¹⁾ 25° Beam Angle

| | |
|-------------|---------|
| Power Input | 33 W |
| Lumens | 1923 |
| Efficacy | 58 lm/W |

⁽¹⁾ To approximate warm white data, multiply by 0.84. Refer web site for IES files for all color temperatures.

Polar Candela Distribution



Illuminance at Distance

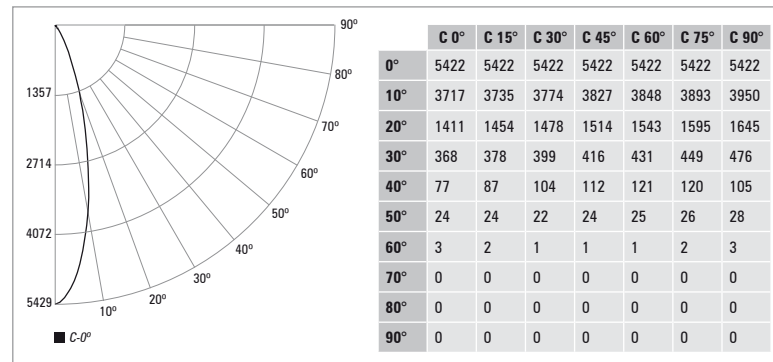
| ft | Center Beam fc | Beam Ø |
|----|----------------|--------|
| 5 | 434.9 | 2 ft |
| 10 | 108.7 | 4 ft |
| 15 | 48.3 | 7 ft |
| 25 | 17.4 | 11 ft |
| 30 | 12.1 | 13 ft |
| 40 | 6.8 | 18 ft |
| 50 | 4.3 | 22 ft |

LS265LED 4 300 K⁽¹⁾ 30° Beam Angle

| | |
|-------------|---------|
| Power Input | 32.4 W |
| Lumens | 1713 |
| Efficacy | 53 lm/W |

⁽¹⁾ To approximate warm white data, multiply by 0.84. Refer web site for IES files for all color temperatures.

Polar Candela Distribution



Illuminance at Distance

| ft | Center Beam fc | Beam Ø |
|----|----------------|--------|
| 5 | 216.9 | 2 ft |
| 10 | 54.2 | 5 ft |
| 15 | 24.1 | 8 ft |
| 25 | 8.7 | 13 ft |
| 30 | 6 | 16 ft |
| 40 | 3.4 | 21 ft |
| 50 | 2.2 | 27 ft |

Beam Orientations

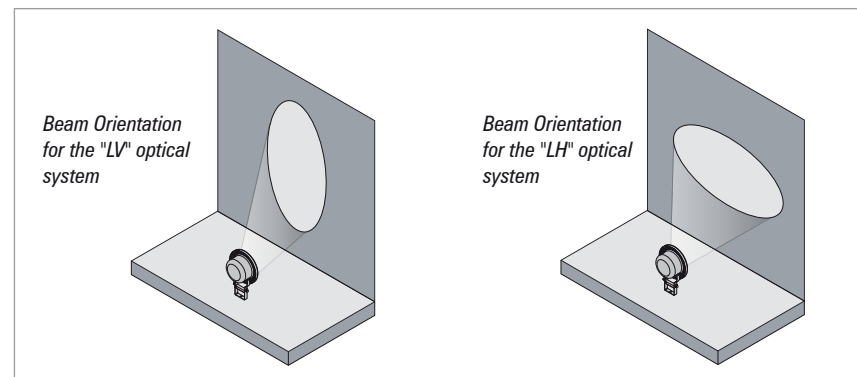


Diagram 7 - 0-10 V Dimming - Low Voltage Submersible LED Luminaire on 12-14 V AC Circuit

Please note: the use of a GFCI may be required. Consult local wiring rules.

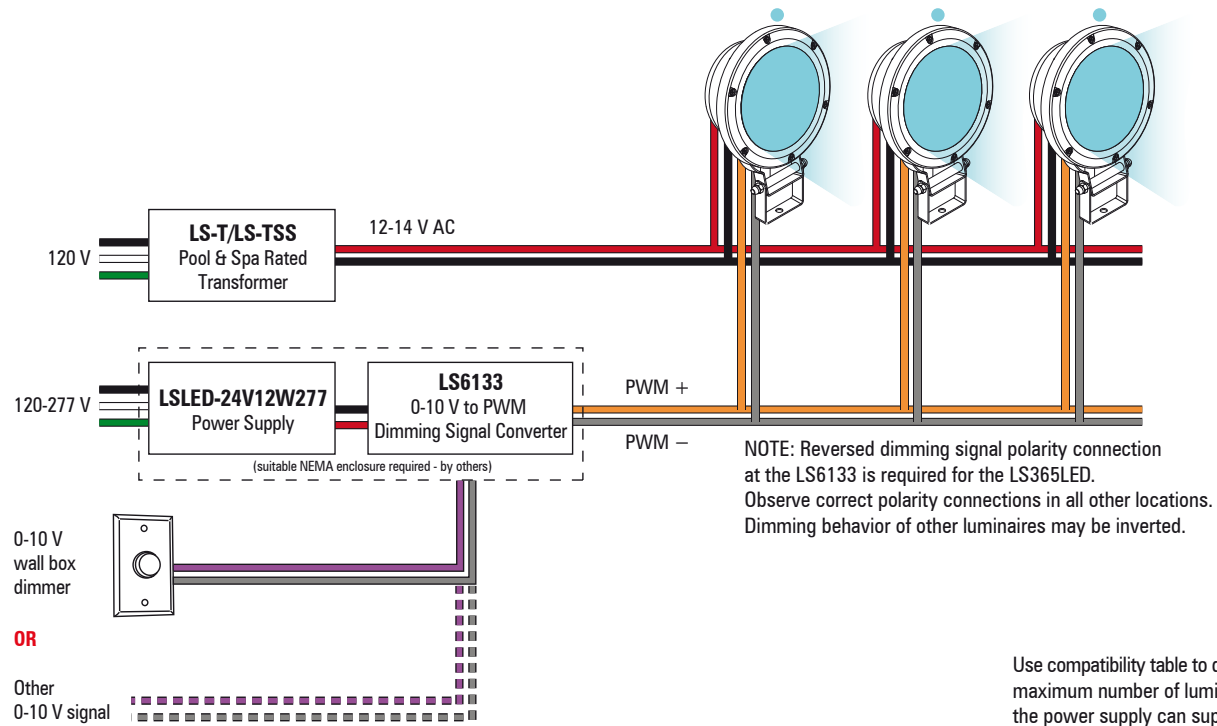
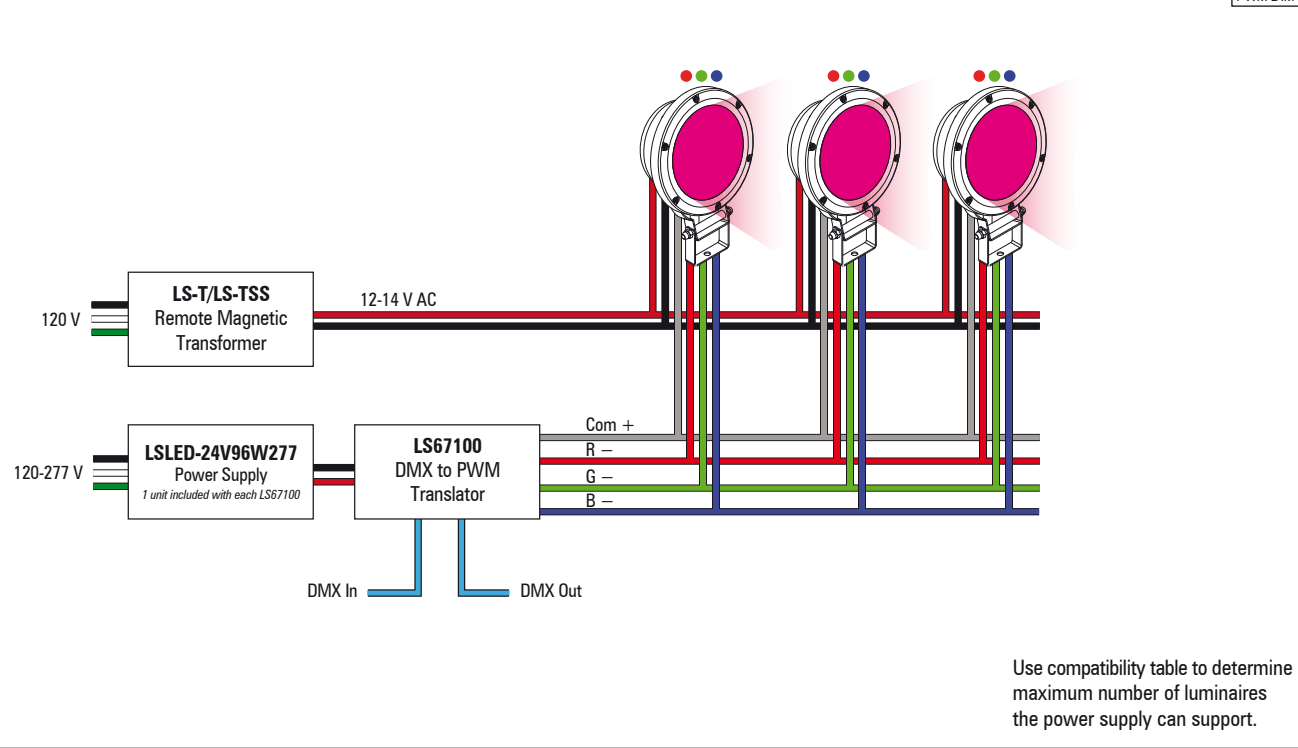


Diagram 10 - RGB via DMX for Low Voltage Submersible LED Luminaire on 12-14 V AC Circuit

Please note: the use of a GFCI may be required. Consult local wiring rules.



NOTE: The above diagrams are intended to show electrical pathways between luminaires and ancillary devices. These diagrams are not intended to show type or color of cord/wire, wire gauge or approved use of the cord/wire supplied with luminaires.

Consult the luminaire-specific cutsheet or the factory for detailed specifications.

Transformers for Submersible & Swimming Pool-rated LED Luminaires

The following list of transformers are for use with submersible and/or pool rated luminaires specifically described as being compatible with either 12 V AC (wirewound only) transformers. Compatibility will be noted in the ordering code of the luminaire concerned, and will typically be referenced by Voltage Code '13' or '13-DIM'. In the case of '13-DIM' additional components may be required. Refer to the applicable wiring diagram/s.

Compatibility with each transformer or power supply is indicated by the value mentioned, representing the maximum number of luminaires that may be powered from each transformer or power supply. Please note, this does not take into consideration voltage drop or ampacity limits of the branch circuit. For assistance, please contact factory.

| | Pool, Spa & Fountain Transformers | | | | | |
|-----------------------|-----------------------------------|------------------|------------------|------------------|------------------|------------------|
| | LS-T-100 | LS-TSS-100 | LS-T-300 | LS-TSS-300 | LS-T-500 | LS-TSS-500 |
| Input Voltage | 120 V, 60 Hz | 120 V, 60 Hz | 120 V, 60 Hz | 120 V, 60 Hz | 120 V, 60 Hz | 120 V, 60 Hz |
| Output Voltage | 12/13/14 V 60 Hz | 12/13/14 V 60 Hz | 12/13/14 V 60 Hz | 12/13/14 V 60 Hz | 12/13/14 V 60 Hz | 12/13/14 V 60 Hz |
| Wattage | 100 W | 100 W | 300 W | 300 W | 500 W | 500 W |
| LS265LED | 1 | 1 | 5 | 5 | 8 | 8 |



Pool, Spa and Fountain Transformers

LS-T-100 / LS-TSS-100

Magnetic transformer - wall mounted

| | |
|------------------------|---|
| Input | 120 V |
| Rating | 100 W |
| Output | 12/13/14 V |
| Output Circuits | 1 |
| Protection | Electrostatic shield, short circuit and over-voltage breaker |
| Approvals | UL, CUL |
| NEMA Rating | 3R |
| Construction | Powder coated steel / stainless steel (LS-TSS-100) |
| Dimensions | H 9.06" (230 mm) W 5.06" (129 mm) D 4.59" (117 mm) |
| Weight | 12.5 lb (5.7 kg) |

LS-T-500 / LS-TSS-500

Magnetic transformer - wall mounted

| | |
|------------------------|---|
| Input | 120 V |
| Rating | 500 W |
| Output | 12/13/14 V |
| Output Circuits | 1 |
| Protection | Electrostatic shield, short circuit and over-voltage breaker |
| Approvals | UL, CUL |
| NEMA Rating | 3R |
| Construction | Powder coated steel / stainless steel (LS-TSS-500) |
| Dimensions | H 9.06" (230 mm) W 5.06" (129 mm) D 4.59" (117 mm) |
| Weight | 14 lb (6.4 kg) |

Control Related Equipment

LS6133

0-10 V to PWM translator - NEMA enclosure required (by others)

| | |
|------------------------|--|
| Input | 24 V DC |
| Rating | 96 W max |
| Output | 4 A max |
| Output Circuits | 1 |
| Approvals | UL, CUL Recognized, Class 2 |
| IP Rating | IP66 |
| Dimensions | H 5.2" (132 mm) W 1.3" (33 mm) D 1" (25 mm) |
| Weight | 0.2 lb (0.1 kg) |

LS-T-300 / LS-TSS-300

Magnetic transformer - wall mounted

| | |
|------------------------|---|
| Input | 120 V |
| Rating | 300 W |
| Output | 12/13/14 V |
| Output Circuits | 1 |
| Protection | Electrostatic shield, short circuit and over-voltage breaker |
| Approvals | UL, CUL |
| NEMA Rating | 3R |
| Construction | Powder coated steel / stainless steel (LS-TSS-300) |
| Dimensions | H 9.06" (230 mm) W 5.06" (129 mm) D 4.59" (117 mm) |
| Weight | 13 lb (5.9 kg) |

LS67100

DMX to PWM translator - dry location only

| | |
|------------------------|---|
| Input | 24 V DC |
| Rating | 4 x 60 W max |
| Output | 4 x 2.5 A max |
| Output Circuits | 4 |
| Approvals | UL, CUL |
| IP Rating | N/A |
| Dimensions | H 11.25" (286 mm) W 4.6" (117 mm) D 3.2" (82 mm) |
| Weight | 0.5 lb (0.2 kg) |