



The Erden E6 Foundation is a shallow-depth medium powered in-ground that combines technology and performance in a modern shallow form factor. Packed with features including **EasyGlow™** visual comfort technologies. Available with integrated DALI control, 0-10 V dimming or as non-dimmable.

Performance

Static White & Color <sup>1</sup>	Lumen Output (lm)	Efficacy (lm/W)	Peak Intensity (cd)
● 2,700 K (80 CRI)	1,990	80	43,400
● 3,000 K (80 CRI)	2,080	84	45,200
○ 3,500 K (80 CRI)	2,245	91	48,900
● 4,000 K (80 CRI)	2,245	91	48,900
● 5,000 K (70 CRI)	2,080	84	45,200

<sup>1</sup> Lumen output values are based on a 10° lens.

<b>Beam Angles</b>	10°, 13°, 20°, 26°, 47°, 10° x 40°, 40° x 10°, 20° x 60°, 60° x 20°
--------------------	---



Products and specifications are subject to change without notice.  
LS3062\_250131

### Electrical

<b>LED Power</b>	24 W
<b>Power Consumption</b>	25 W
<b>Lifetime</b>	>60,000 hrs (B10, L70)
<b>Input Voltage</b>	220-240 Vac, 50 Hz (International) 120/277 Vac, 60 Hz (North America)
<b>Earth Leakage</b>	0.15 mA @ 120 V, 0.17 mA @ 240 V, 0.15 mA @ 277 V
<b>Thermal Management</b>	CoolDrive™ onboard thermal monitoring and control

### Control

<b>Protocols</b>	Dali 2 (International), 0-10 V (North America), Non-Dimmable
------------------	--

### Physical

<b>Housing</b>	Marine-grade 316 stainless steel housing, high-strength glass, teflon-coated cover screws and marine-grade 316 stainless steel cover (polished or brushed finish).
<b>Installation</b>	Pre-Installation blackout for concrete pour, drive-over and general use applications. Mounting collar for decks and grates. Direct burial for landscapes, planters and special applications.
<b>Mounting Accessories</b>	<b>LS6052-K</b> Pre-Installation concrete blackout <b>LS640-2</b> Mounting collar for decks and grates
<b>Adjustable</b>	-20° to +20° tilt, 360° rotation
<b>Ambient Operating Temperature</b>	-4°F to 122°F (-20°C to 50°C)
<b>Surface Temperature</b>	≤149°F (65°C)
<b>Weight</b>	8.8 lbs (4.0 kg)
<b>Drive-Over</b>	With OptiClear lens and pre-installation kit (LS6052-K)

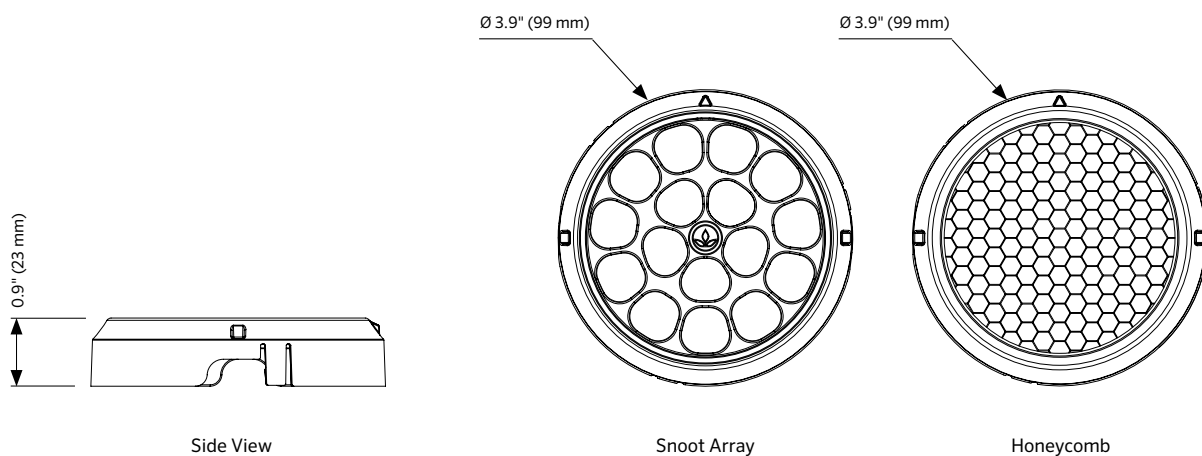
### Certification & Compliance

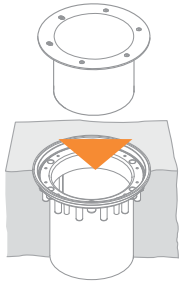
<b>IP Rating</b>	IP68
<b>IK Rating</b>	IK10
<b>Static Load Rating</b>	9,259 lbs (4,200 kg)
<b>Environment</b>	Dry, Damp, Wet locations Inherently protected Suitable for use in poured concrete
<b>Certifications</b>	ETL, CE, RCM

Accessories



Technical Drawings



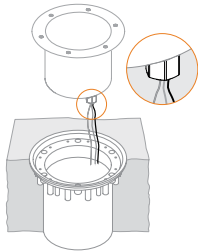


**Pre-Installation Blockout**

This type of installation requires the **LS6052-K** Pre-Installation Kit (ordered separately), which acts as a concrete blockout and is intended for installation before the luminaire. This method ensures the luminaire itself is not damaged during concreting or other site works.

<b>Used for</b>	Drive over applications General use applications Concrete pour applications where luminaire is to be installed after site work has been completed.
<b>Benefits</b>	Easy removal for servicing
<b>Accessories</b>	<b>LS6052-K</b> Pre-Installation Blockout

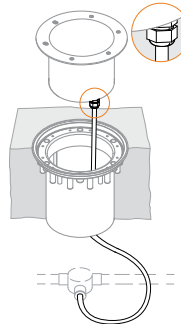
**Connection type '82'**  
North American market only



**1/2" NPT Adapter**

The luminaire is factory-fitted with 6.5' (2.0 m) hookup wire. Ensure terminations can be made within this length. For other length options, consult Lumascape.

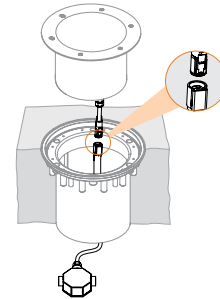
**Connection type '84'**



**Flexible Cable**

For connections to the branch circuit via junction box (by others) or other approved method. 6.5' (2 m) length. For other length options, contact Lumascape.

**Connection type '77/87'**



**IP68 Connector & Junction Box**

The luminaire is fitted with an IP68 connector, which attaches directly to the cable supplied with LS644-K without the use of any tools. The cable is 3' (1 m) in length and is factory assembled with a junction box.

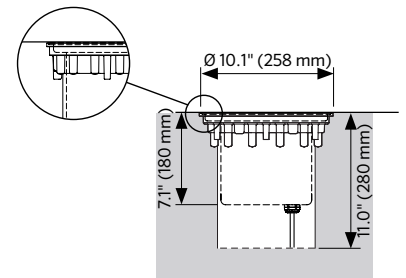
**Flush Cover Options**

Flush covers for pre-installation, use special seals and support bushes to ensure static loads up to 9,259 lbs (4,200 kg) are properly supported. To achieve this drive-over rating, OptiClear™ or GripGlass™ must be used.



**Pre-Installation Blockout Round Flush Cover**

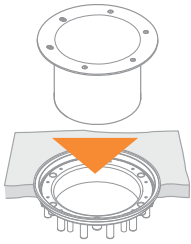
- SS316: Polished
- SS316: Brushed



**Specification**

Use the table below to specify your Pre-Installation Blockout.

<b>LS6052-K</b>	-				
<b>Connection Type</b>		<b>Code</b>			
Flexible cable, single entry, for hardwired installations (International) or Hookup wire and 1/2" NPT (82), single entry, for hard wired installations (North America only)		<b>84</b>			
Flexible cable, single entry, for connectorized installations (non-dimming applications only)		<b>87</b>			
			<b>Input Voltage</b>	<b>Code</b>	
			220-240 Vac, 50 Hz (International)	<b>01</b>	
			120/277 Vac, 60 Hz (North America)	<b>09</b>	
			<b>Input Voltage</b>	<b>Code</b>	<b>Control</b>
			220-240 Vac, 50 Hz (International)	<b>01</b>	DALI (International)
			120/277 Vac, 60 Hz (North America)	<b>09</b>	0-10 V (North America)
					<b>Code</b>
					<b>DL</b>
					<b>AH</b>



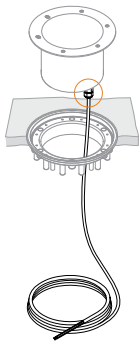
**Mounting Collar for decks and grates**

This type of installation requires the LS640-2 Mounting Collar (ordered separately), to support the installation in decks, grates and hollow floors with sufficient ventilation.

*Not available in North America.*

<b>Used for</b>	Decks and grates Hollow floors with sufficient ventilation
<b>Benefits</b>	Easy installation in decks, grates and hollow floors
<b>Accessories</b>	LS640-2 Mounting Collar

**Connection type '84'**



**Flexible Cable**

For connections to the branch circuit via junction box (by others) or other approved method. 6.5' (2 m) length. For other length options, contact Lumascape.

**Specification**

Use the table below to specify your Mounting Collar.

	LS640-2
Connection Type	Code
Mounting Collar for use with hard wire connections only	LS640-2

For more information and other cable entry options, contact Lumascape.

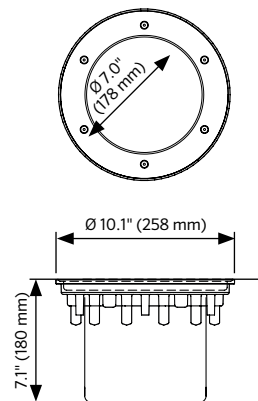
**Flush Cover Options**

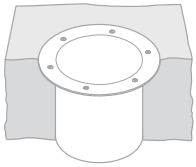
Flush covers for mounting collar use special seals and support brushes.



**Pre-Installation Blockout Round Flush Cover**

- SS316: Polished
- SS316: Brushed



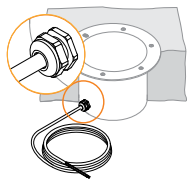


**Direct Burial**

Luminaire is put directly into soil or concrete.

<b>Used for</b>	Landscaping areas Applications where depth is restricted Rate for use in concrete pour applications Economical options
<b>Benefits</b>	Easy removal for servicing
<b>Restrictions</b>	Not as easy to remove for service as pre-installation version Not suitable for drive-over (requires pre-installation kit)

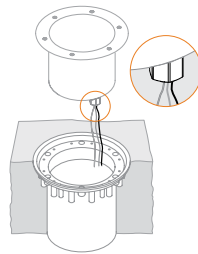
**Connection type '84'**



**Flexible Cable**

For connections to the branch circuit via junction box (by others) or other approved method. 6.5' (2 m) length. For other length options, contact Lumascape.

**Connection type '82'**  
North American market only



**1/2" NPT Adapter**

The luminaire is factory-fitted with 6.5' (2 m) hookup wire. Ensure terminations can be made within this length. For other length options, consult Lumascape.

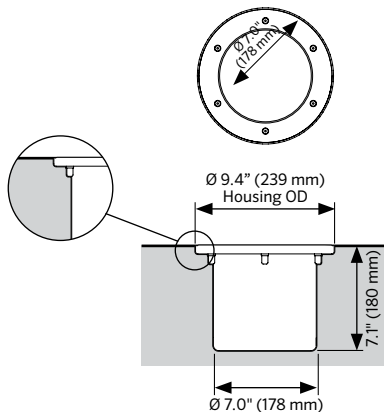
**Recessed Cover Options**

Use recessed cover for installation in soil, grass, pavers and other uneven surfaces where no cover overhang is required.



**Round Recessed Cover**

- SS316: Polished
- SS316: Brushed



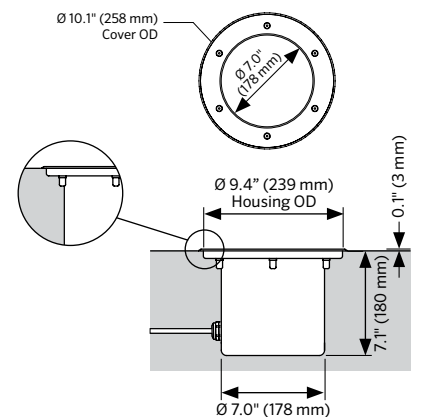
**Flush Cover Options**

Use flush covers for installation in fine finished surfaces such as granite and marble. Can also be used in some suspended applications to conceal gaps between the luminaire and the surrounding surface.



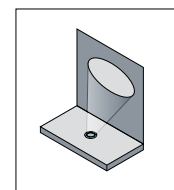
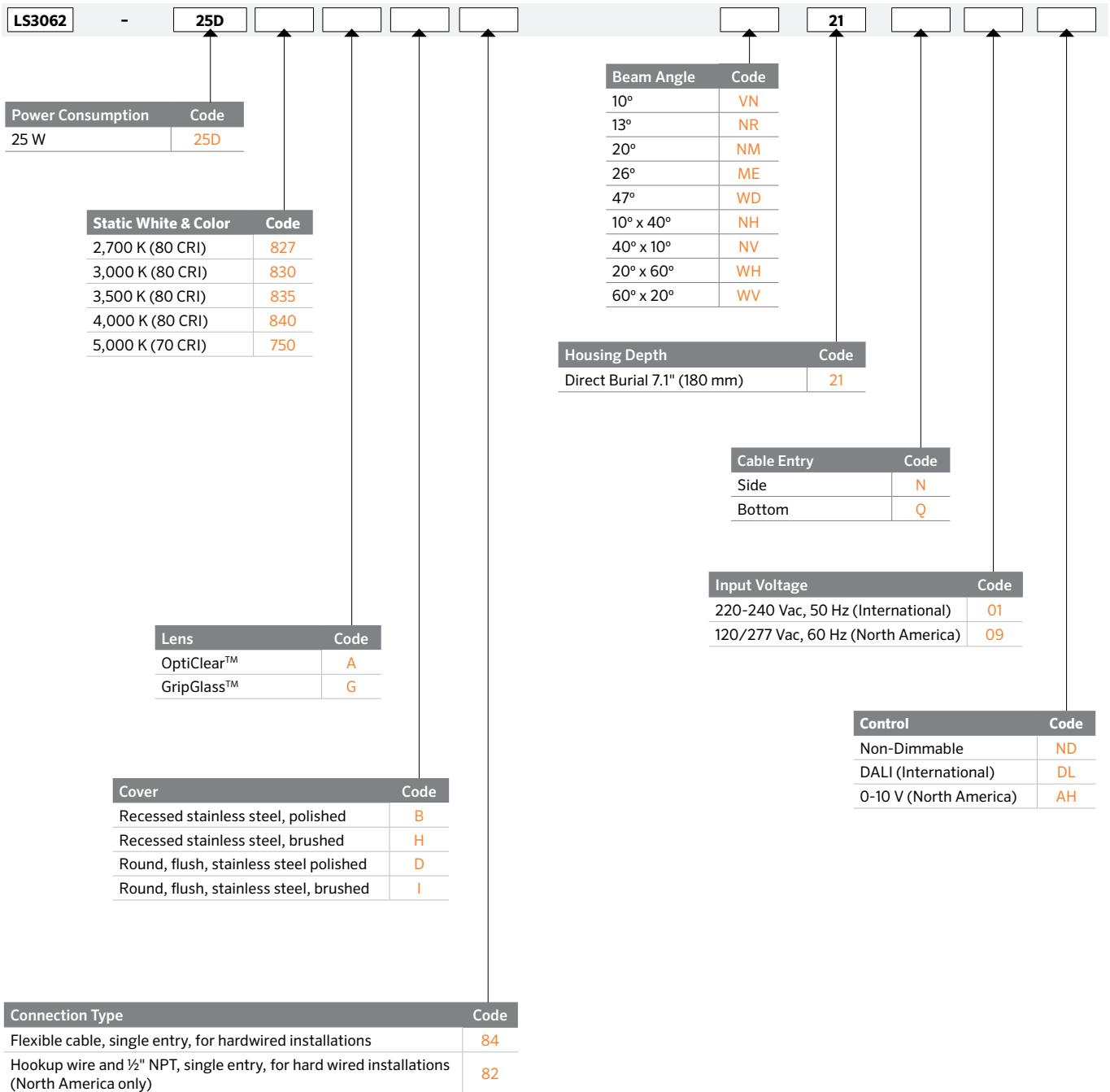
**Round Flush Cover**

- SS316: Polished
- SS316: Brushed

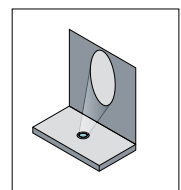




Direct Burial Specification Matrix



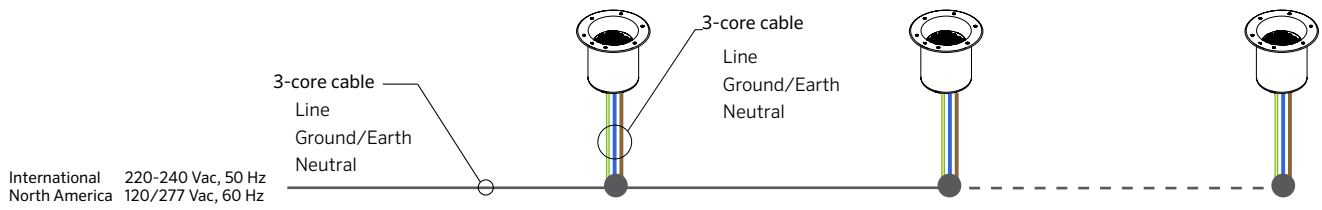
Beam Orientation for the "NH" and "WH" optical system



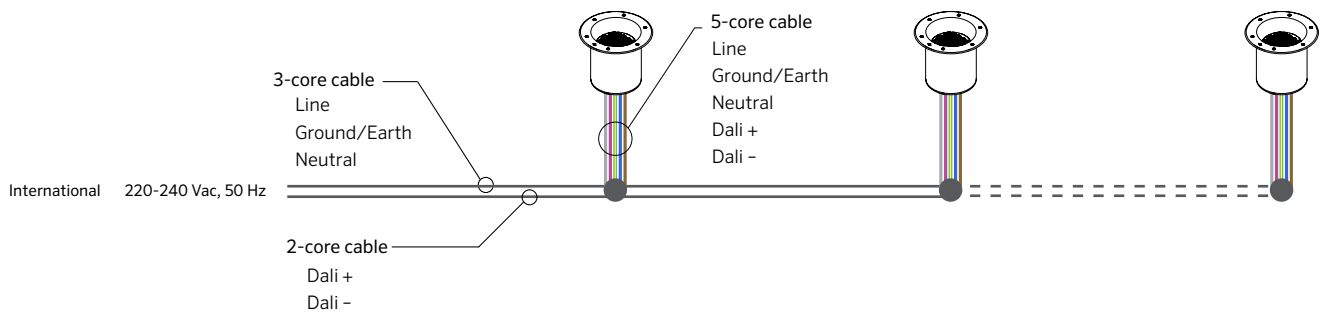
Beam Orientation for the "NV" and "WV" optical system



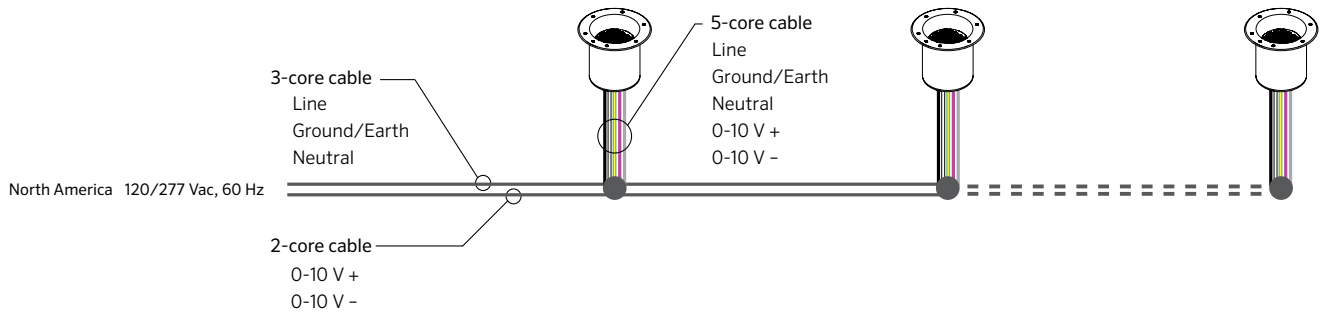
Network Topology - Line Voltage 220-240 Vac, 120/277 Vac Non-Dimmable



Network Topology - Line Voltage 220-240 Vac DALI



Network Topology - Line Voltage 120/277 Vac 0-10 V



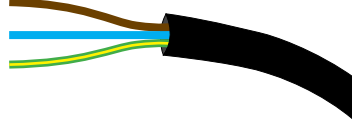
**NOTE:**

For all luminaire wire colors and designations see page 10.

Luminaire Wire Colors & Designations

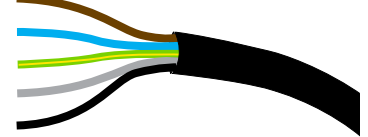
Non-Dimmable Line Voltage 220-240 Vac - International

Designation	Color
Line	Brown
Neutral	Blue
Ground/Earth	Green / Yellow



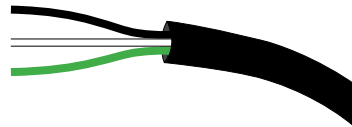
DALI Line Voltage 220-240 Vac - International

Designation	Color
Line	Brown
Neutral	Blue
Ground/Earth	Green / Yellow
DALI +	Grey
DALI -	Black



Non-Dimmable Line Voltage 120/277 Vac - North America

Designation	Color
Line	Black
Neutral	White
Ground/Earth	Green/Yellow



0-10 V Line Voltage 120/277 Vac - North America

Designation	Color
Active	Black
Neutral	White
Ground/Earth	Green / Yellow
0-10 V +	Purple
0-10 V -	Pink or Gray

