



The Erden E2, Foundation is a high-performance compact stainless steel in-ground luminaire that delivers over 920 lumens in DALI, 0-10V, and non-dimmable control options. Available in 2700K, 3000K, 3500K and 4000K static white, it features adjustable tilt (-5° to 15°) and 360° rotatability for precise aiming, along with a special emissivity coating for efficient heat dissipation, improving thermal management and operational efficiency. Its polished or brushed stainless steel lid options and flexible installation choices, such as pre-install kits or direct burial, make it adaptable for various projects while ensuring exceptional performance and durability.

Performance

Static White & Colour ¹	Lumen Output (lm)	Efficacy (lm/W)	Peak Intensity (cd)
● 2,700 K (80 CRI)	820	87	11,200
● 3,000 K (80 CRI)	860	90	11,600
○ 3,500 K (80 CRI)	860	90	11,600
● 4,000 K (80 CRI)	920	97	12,500

¹ Lumen output is based on 14° lens.

Beam Angles	14°, 25°, 35°, 50°, 10° x 40°, 40° x 10°, 20° x 60°, 60° x 20°
--------------------	--



Products and specifications are subject to change without notice.
LS3022-250205

Electrical

Consumption	≤11 W maximum	
Lifetime	TBA	
Input Voltage	International North America Low Voltage	220-240 Vac, 50 Hz 120/277 Vac, 60 Hz 24 Vdc
Earth Leakage	0.3 mA @ 120 V, 0.4 mA @ 240 V, 0.6 mA @ 277 V	
Thermal Management	CoolDrive™ onboard thermal protection.	

Control

Protocols¹	DALI® ² (CE), 0-10 V ² (UL), Non-Dimmable	
PWM Frequency	2 kHz flicker-free dimming to 0.1%	
Systems	Range of third-party controllers	

¹ Some protocols require additional hardware. For more information contact Lumascape.

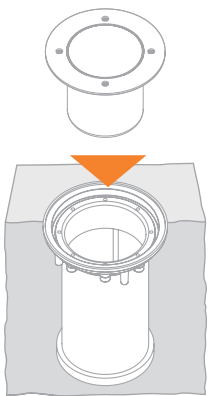
² Not available for color-changing.

Physical

Housing	Marine-grade 316 stainless-steel housing, high-strength glass, teflon coated cover screws, marine-grade 316 stainless-steel cover (polished or brushed finish).	
Installation	Pre-Installation Blockout for concrete pour, drive-over and general use applications Direct Burial for landscapes, planters and special applications	
Mounting Accessories	LS647-K Pre-Installation Concrete Blockout	
Adjustable	-5° to +15° tilt, 360° rotation	
Ambient Operating Temperature	-4°F to +122°F (-20°C to +50°C)	
Surface Temperature	≤ 149°F (65°C)	
Weight	4.4 lbs (2.0 kg)	
Drive-Over	With OptiClear lens and pre-installation kit (LS647-K)	

Certification & Compliance

IP Rating	IP68	
IK Rating	IK9	
Static Load Rating	4,410 lbs (2,000 kg)	
Environment	Dry, Damp, Wet locations Inherently Protected Suitable for use in poured concrete	
Certifications	UL, CE, RCM	

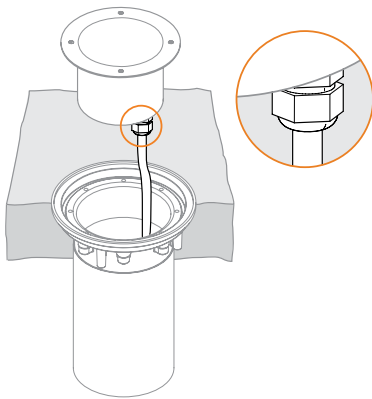


Pre-Installation

This type of installation requires the **LS647-K Pre-Installation Kit** (ordered separately), which acts as a concrete blockout and is intended for installation before the luminaire. This method ensures the luminaire itself is not damaged during concreting or other site works.

Used for	Drive over applications General use applications Concrete pour applications where luminaire is to be installed after site work has been completed.
Benefits	Easy removal for servicing
Restrictions	Connection Type 82 only available for North American market
Accessories	LS647-K Pre-Installation Blockout

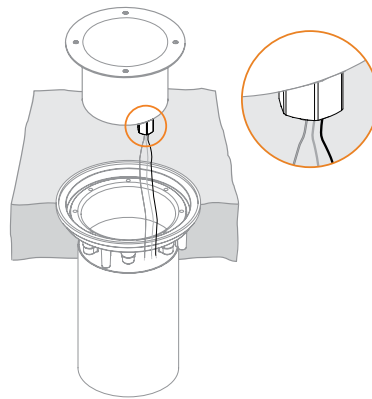
Connection type '84'



Flexible Cable

For connections to the branch circuit via junction box (by others) or other approved method. 6.5' (2 m) length. For other length options, contact Lumascape.

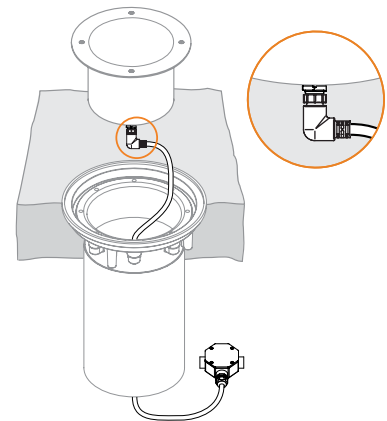
Connection type '82'
North American market only



1/2" NPT Adapter

The luminaire is factory-fitted with 6.5' (2.0 m) hookup wire. Ensure terminations can be made within this length. For other length options, consult Lumascape.

Connection type '87'

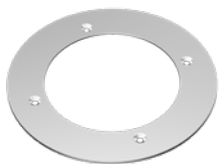


IP68 Connector & Junction Box

The luminaire is fitted with an IP68 connector, which attaches directly to the cable supplied with LS647-K without the use of any tools. The cable is 3' (1 m) in length and is supplied with a junction box.

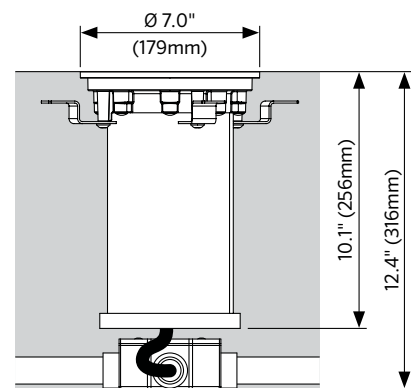
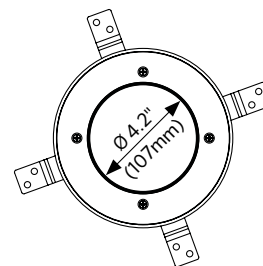
Flush Cover Options

Flush covers for pre-installation use special seals and support bushes to ensure static loads up to 3,968 lbs (1,800 kg) are properly supported. In order to achieve this drive-over rating, OptiClear or GripGlass must be used.



Pre-Installation Blockout Round Flush Cover

- SS316: Polished
- SS316: Brushed



Pre-Installation Specification

LS3022	-	10D								23	Q		
---------------	---	------------	--	--	--	--	--	--	--	-----------	----------	--	--

Power	Code
10 W	10D

Static White & Colour	Code
2,700 K (80 CRI)	827
3,000 K (80 CRI)	830
3,500 K (80 CRI)	835
4,000 K (80 CRI)	840

Lens	Code
OptiClear™	A
GripGlass™	G

Cover	Code
Stainless steel, polished	M
Stainless steel, brushed	N

Connection Type	Code
Flexible cable, single entry, for hardwired installations	84
Hookup wire and ½" NPT, single entry, for hard wired installations (North America).	82
Flexible cable, single entry for connectorized installations (Input Voltage Code 01 & 09 only)	87

Beam Angle	Code
14°	NR
25°	NM
35°	ME
50°	WD
10° x 40°	NH
40° x 10°	NV
20° x 60°	WH
60° x 20°	WV

Internal Accessory	Code
Louver	L*
No Accessory	N

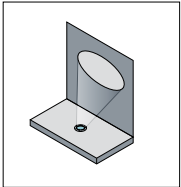
*Factory fitted accessory.

Installation Type	Code
Preinstall Blockout 10.1" [256 mm]	23

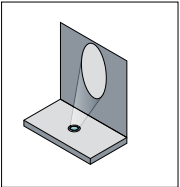
Cable Entry	Code
Bottom	Q

Input Voltage	Code
220-240 Vac, 50 Hz (International)	01
120/277 Vac, 60 Hz (North America)	09
24 Vdc (International)	07
24 Vdc (North America)	13

Control	Code
DALI	DL
Non-Dimming	ND
0-10 V	AH
Non-Dimming	ND
Non-Dimming	ND



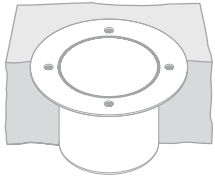
Beam Orientation for the "NH" and "WH" optical system



Beam Orientation for the "NV" and "WV" optical system

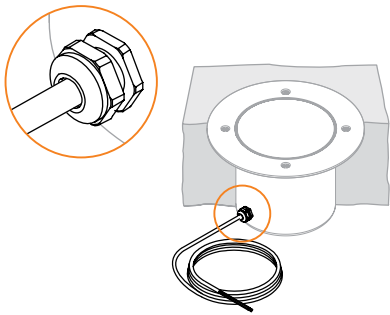
Direct Burial

Luminaire is put directly into soil or concrete.



Used for	Landscaping areas Applications where depth is restricted Rate for use in concrete pour applications Economical option
Benefits	Allows for maximum heat dissipation
Restrictions	Not as easy to remove for service as pre-install version Not suitable for drive-over (requires pre-installation) Not available with Connection Type 77 (requires pre-installation) Connection Type 82 only available for North American market.

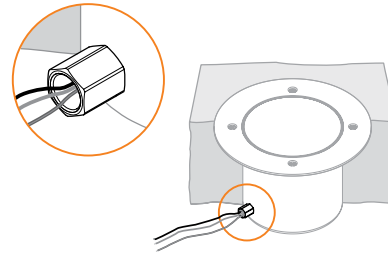
Connection type '84'



Flexible Cable

For connections to the branch circuit via junction box (by others) or other approved method. 6.5' (2 m) length. For other length options, contact Lumascape.

Connection type '82'
North American market only

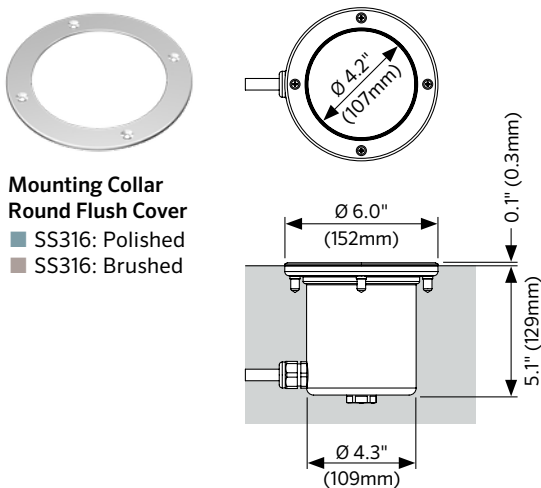


1/2" NPT Adapter

The luminaire is factory-fitted with 6.5' (2 m) hookup wire. Ensure terminations can be made within this length. For other length options, consult Lumascape.

Recessed Cover Options

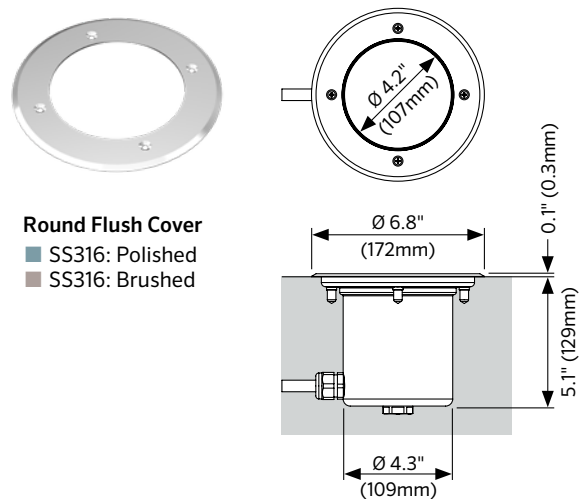
Use recessed cover for installation in soil, grass, pavers and other uneven surfaces where no cover overhang is required.



**Mounting Collar
Round Flush Cover**
■ SS316: Polished
■ SS316: Brushed

Flush Cover Options

Use flush covers for installation in fine finished surfaces such as granite and marble. Can also be used in some suspended applications to conceal gaps between the luminaire and the surrounding surface.



Round Flush Cover
■ SS316: Polished
■ SS316: Brushed

Direct Burial Specification Matrix

LS3022		-	10D							21				
---------------	--	---	------------	--	--	--	--	--	--	-----------	--	--	--	--

LED Power	Code
10 W	10D

Static White & Colour	Code
2,700 K (80 CRI)	827
3,000 K (80 CRI)	830
3,500 K (80 CRI)	835
4,000 K (80 CRI)	840

Lens	Code
OptiClear™	A
GripGlass™	G

Cover	Code
Recessed type, stainless steel, polished	B
Recessed type, stainless steel, brushed	H
Round flush type, stainless steel, polished	D
Round flush type, stainless steel, brushed	I

Connection Type	Code
Flexible cable, single entry, for hardwired installations	84
Hookup wire and ½" NPT, single entry, for hard wired installations (North America).	82

Beam Angle	Code
14°	NR
25°	NM
35°	ME
50°	WD
10° x 40°	NH
40° x 10°	NV
20° x 60°	WH
60° x 20°	WV

Internal Accessory	Code
Louver	L*
No Accessory	N

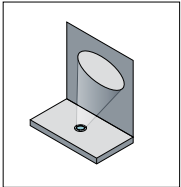
*Factory fitted accessory.

Installation Type	Code
Direct Burial 5.1" (129 mm)	21

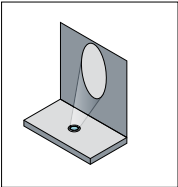
Cable Entry	Code
Side	N
Bottom	Q

Input Voltage	Code
220-240 Vac, 50 Hz (International)	01
120/277 Vac, 60 Hz (North America)	09
24 Vdc (International)	07
24 Vdc (North America)	13

Control	Code
DALI	DL
Non-Dimming	ND
0-10 V	AH
Non-Dimming	ND
Non-Dimming	ND

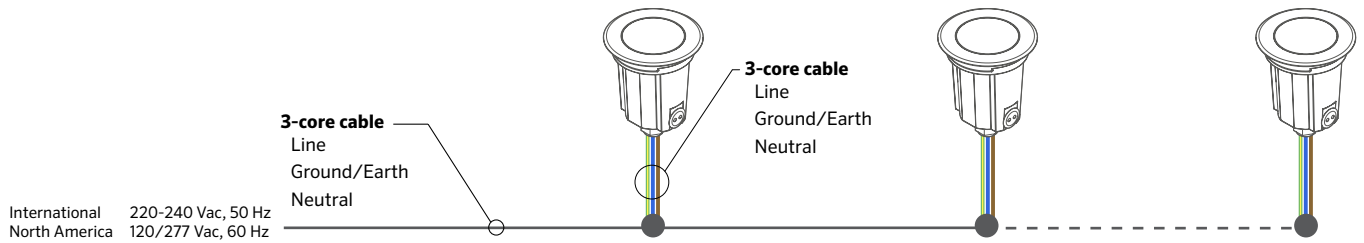


Beam Orientation for the "NH" and "WH" optical system

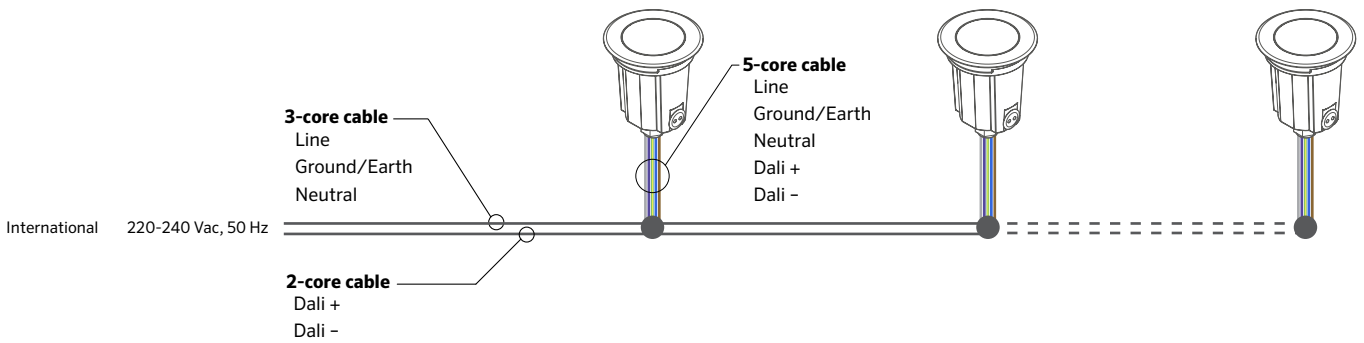


Beam Orientation for the "NV" and "WV" optical system

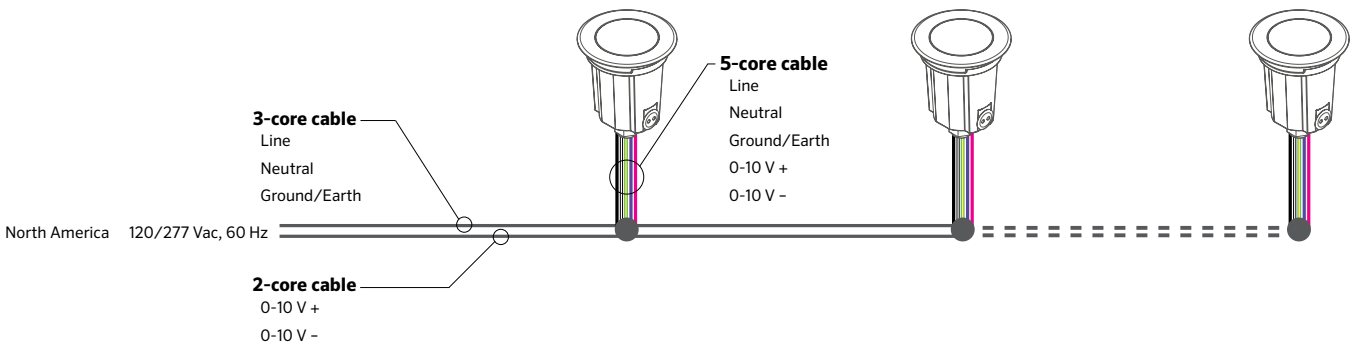
Network Topology - Line Voltage 220 to 240 Vac, 120/277 Vac Non-Dimmable



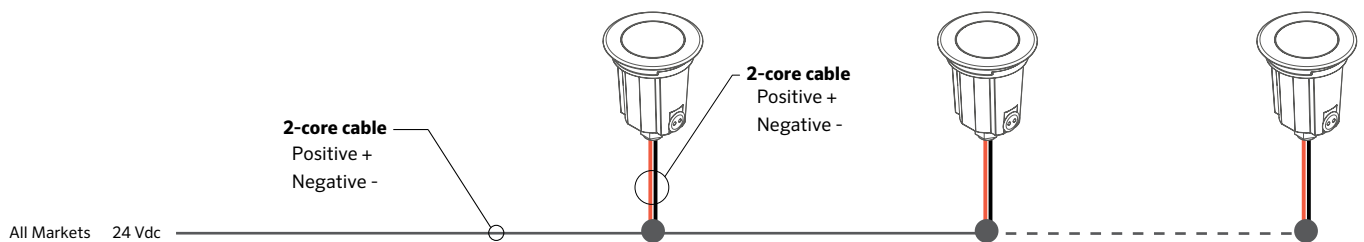
Network Topology - Line Voltage 220 to 240 Vac DALI



Network Topology - Line Voltage 120/277 Vac 0-10 V



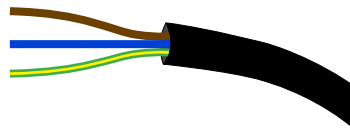
Network Topology - Low Voltage 24 Vdc, Non-Dimmable



Luminaire Wire Colors & Designations

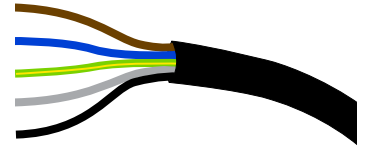
Non-Dimmable Line Voltage 220-240 Vac – International

Designation	Color
Line	Brown
Neutral	Blue
Ground/Earth	Green / Yellow



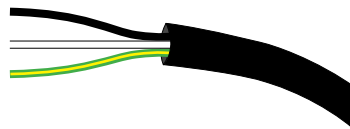
DALI Line Voltage 220-240 Vac – International

Designation	Color
Line	Brown
Neutral	Blue
Ground/Earth	Green / Yellow
DALI +	Grey
DALI -	Black



Non-Dimmable Line Voltage 120/277 Vac – North America

Designation	Color
Line	Black
Neutral	White
Ground/Earth	Green / Yellow



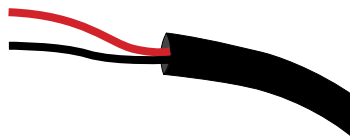
Line Voltage 120/277 Vac, 0 to 10 V – North America

Designation	Color
Line	Black
Neutral	White
Ground/Earth	Green / Yellow
0-10 V +	Purple
0-10 V -	Pink or Gray



Low Voltage 24 Vdc

Designation	Color
Positive	Red
Negative	Black



Accessories

Use the table below to specify your Pre-Installation Blockout.

LS647-K	
Connection Type	Code
Flexible cable, single entry, for hardwired installations (International) or Hookup wire and 1/2" NPT (82), single entry, for hard wired installations (North America only)	LS647-K

