

The Vestalux V1 is a high-performance, exterior-grade architectural outliner featuring a flat glass diffuser. Designed for direct view, the luminaire has excellent light blending properties ensuring uniformity when it comes to color brightness and blending. Control, addressing and monitoring is via full DMX/RDM through Lumascope's PowerSync® Data Injector. RDM addressing means that fixtures can be installed in any order and swapped in and out at will.

Performance

Static White & Color ¹	Lumen Output (lm)	Efficacy (lm/W)
2,700 K (80 CRI)	1,550	59
3,000 K (80 CRI)	1,660	63
3,500 K (80 CRI)	1,660	63
4,000 K (80 CRI)	1,940	74
5,000 K (80 CRI)	1,790	68

¹ Lumen output values are based on 7 W/ft, 4 ft luminaire

Dynamic Color ²	Lumen Output (lm)	Efficacy (lm/W)
RGBA	1,130	43
RGBW (4,000 K) with Royal Blue*	1,070	40

² Lumen output values are based on 7 W/ft, 4 ft luminaire

Tunable White ³	Lumen Output (lm)	Efficacy (lm/W)
2,700 K – 6,500 K	1,670	64

³ Lumen output values based on 7 W/ft, 4 ft luminaire

* NOTE:

The default RGBW colors have recently changed to the RGBW with Royal Blue (4BW code). These colors will not match existing products with the earlier RGBW with Mid-Blue (4CW code). Contact Lumascope for custom LED Colors.



Products and specifications are subject to change without notice.
LS9015Gen2_250212

Electrical

Power Consumption	7 W/ft, 5 W/ft
Lifetime (L70)	>60,000 hrs
Input Voltage	Low Voltage 30-48 Vdc
Thermal Management	CoolDrive™ onboard thermal monitoring and control

Control

Interface	Lumascap PowerSync ®
Protocols¹	DMX / RDM, Artnet ¹
PWM Frequency	10 kHz flicker-free dimming to 0.1%
Control Resolution	19 mm (¾"), 75 mm (3.0"), 150 mm (6.0"), 300 mm (12.0") and full luminaire Configurable via RDM
RDM Functionality	PowerSync enabled Lumascap luminaires are shipped with a default RDM personality which provides smooth dimming control. For different dimming characteristics or to enable other special functionalities, the default personality can be changed through industry standard DMX/RDM.
Systems	Range of third-party controllers

¹ Some protocols require additional hardware. For more information and other available protocols contact Lumascap.

Physical

Housing	Marine-grade extruded aluminum with tempered OptiClear™ glass lens
Finish	Superior 9-step powder-coating process, including marine-grade anodized undercoat and polyester top coat
Installation	Surface-mounted
Ambient Operating Temperature	-40 °F to 122 °F (-40 °C to 50 °C)
Surface Temperature	≤ 95 °F (35 °C)
Weight	3.5 lb (1.6kg) for 4 ft section
Effective Projected Area	0.5 ft ² (0.05 m ²) for 4 ft section

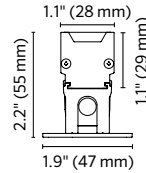
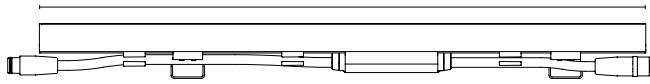
Certification & Compliance

IP Rating	IP66 / IP67 (Passes IP68 Test)
IK Rating	IK6
Vibration Resistance	3G Rating (ANSI C136.31)
Environment	Dry, Damp, Wet locations
Certifications	ETL, CE, UKCA, RCM

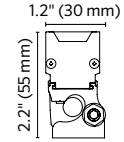
Dimensions

Body Type S: Single Color and Tunable White

1 ft - 12.4" (314 mm)
 2 ft - 24.1" (613 mm)
 3 ft - 35.9" (912 mm)
 4 ft - 47.7" (1,211 mm)
 5 ft - 59.4" (1,510 mm)



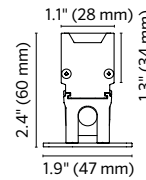
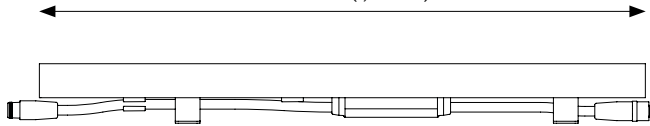
Fixed Bracket



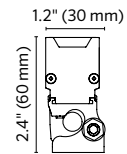
Adjustable Bracket

Body Type T: Dynamic Color RGBW and RGBA

1 ft - 12.4" (314 mm)
 2 ft - 24.1" (613 mm)
 3 ft - 35.9" (912 mm)
 4 ft - 47.7" (1,211 mm)
 5 ft - 59.4" (1,510 mm)



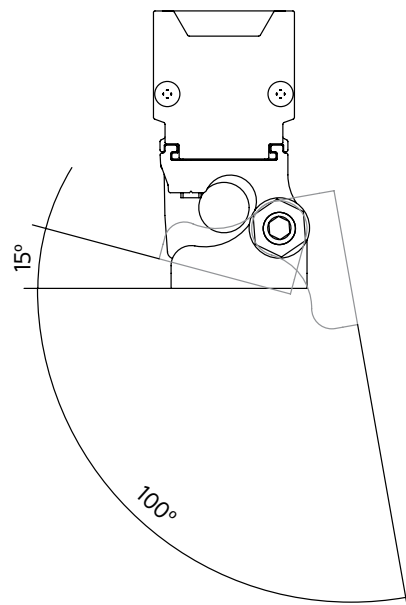
Fixed Bracket



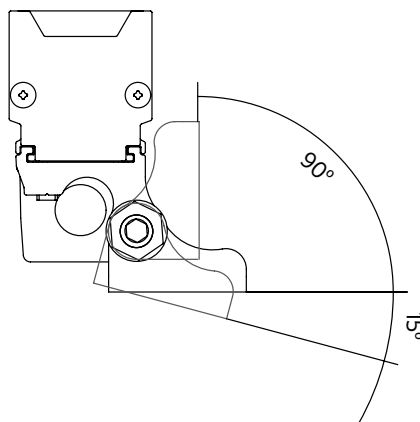
Adjustable Bracket

Luminaire Rotation

Adjustable Bracket

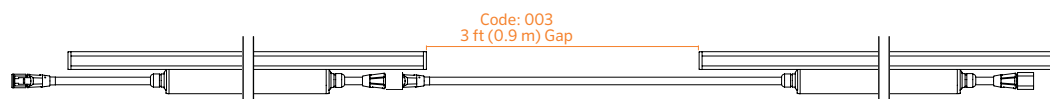
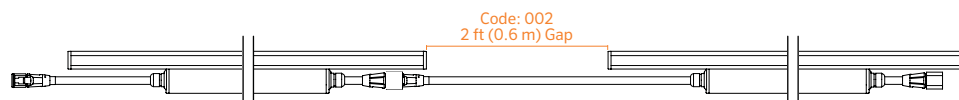
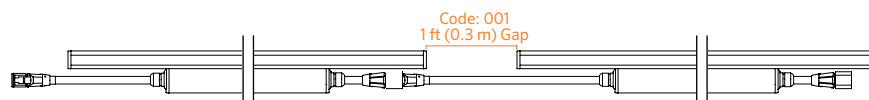
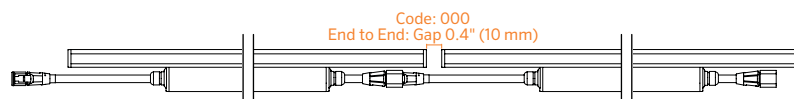
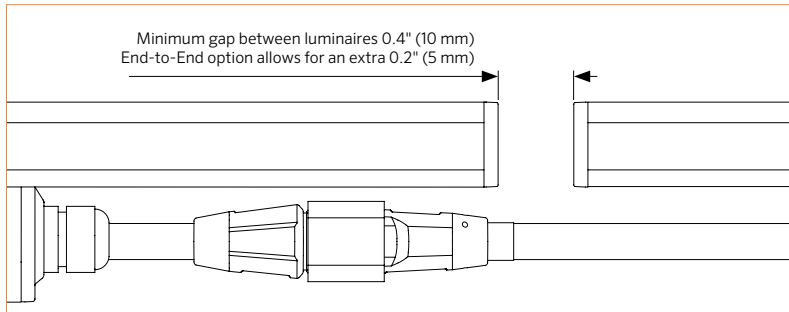


Adjustable Bracket Installed In Alternate Orientation

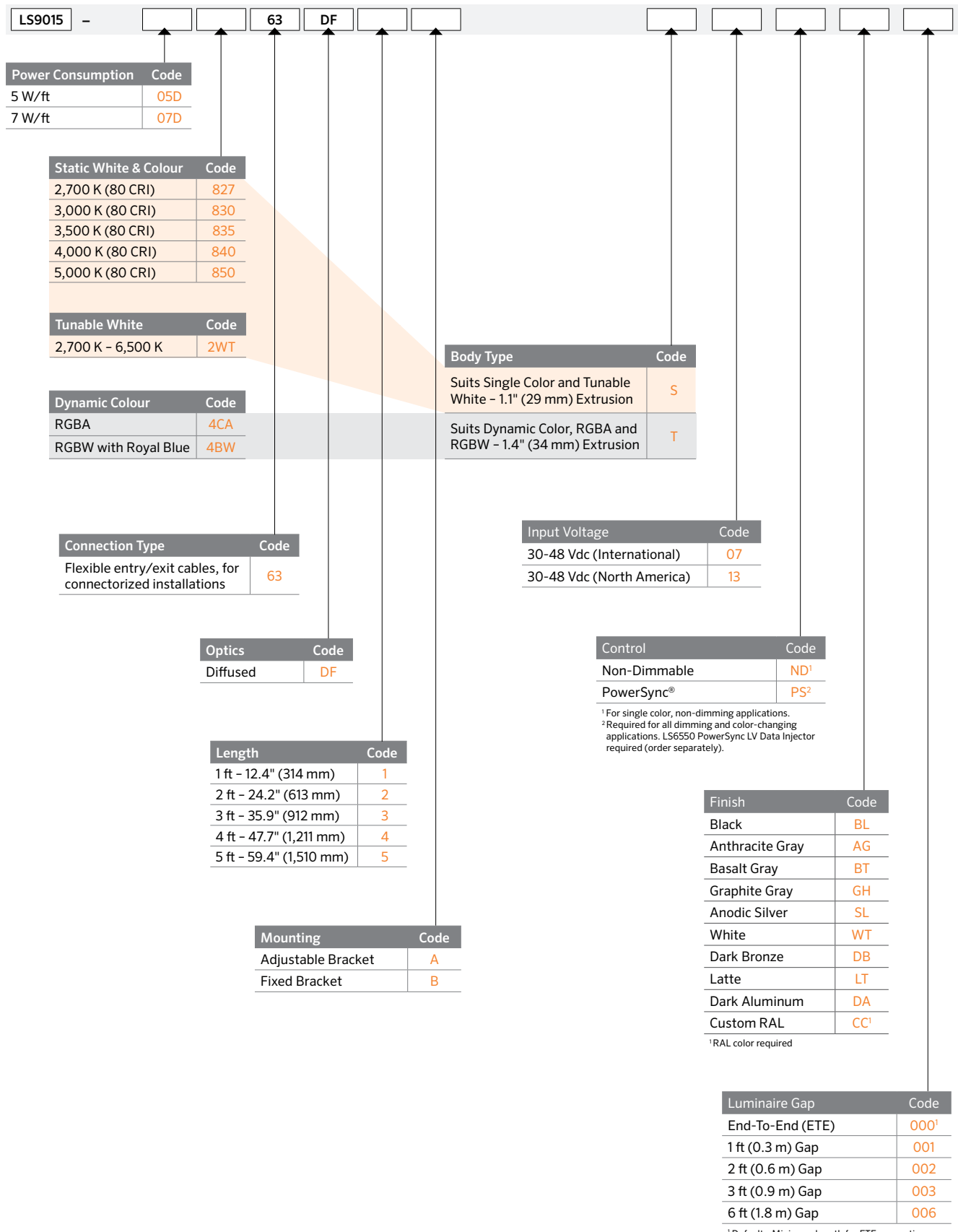


Luminaire Gap

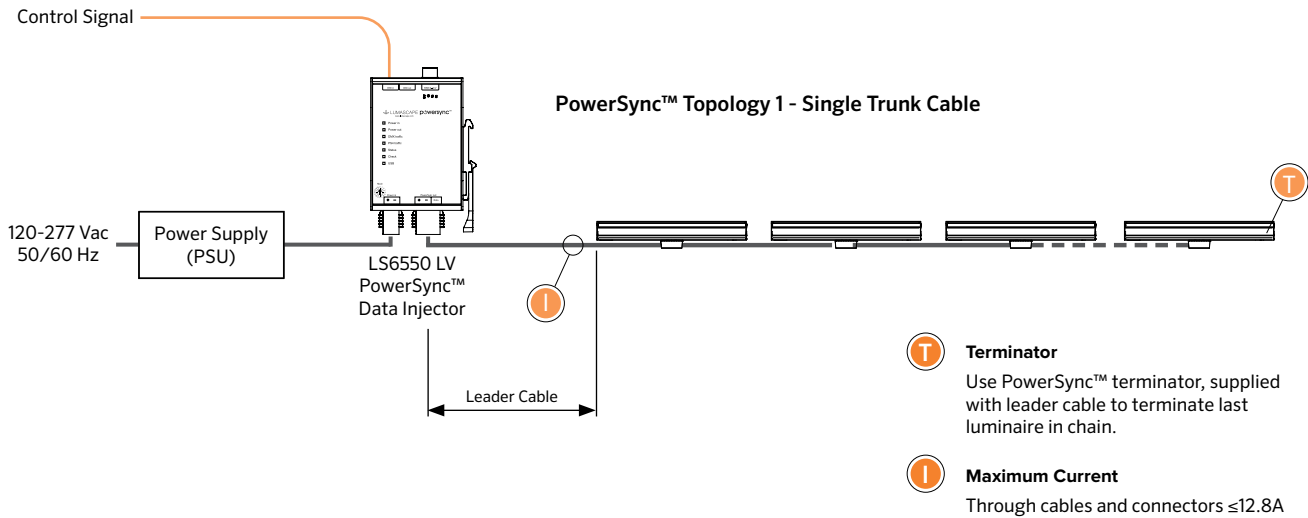
We define the Gap being where the luminaire ends to where the start of the next luminaire. To be able to create the gap, cable length is added to the input connector side. A minimum gap of 0.4" (10 mm) must be applied to cope with thermal expansion.



Specification Matrix



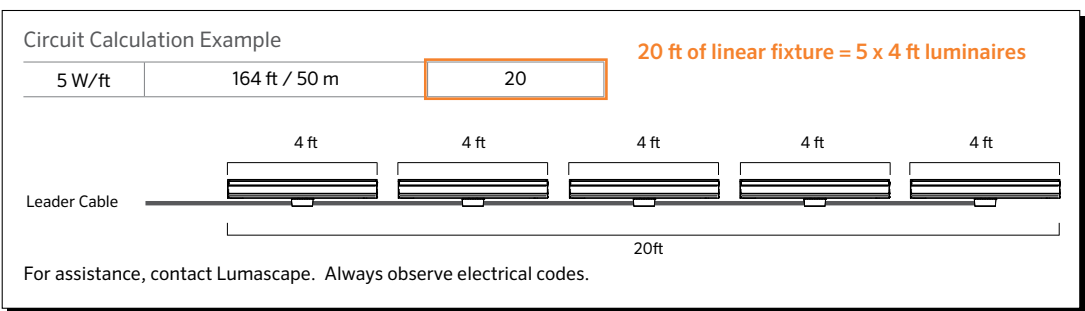
Network Topology – Low Voltage PowerSync™



Up to 24 luminaires per 48V PowerSync circuit / LS6550 Low Voltage PowerSync Injector

Maximum Circuit Loading - Single Run						
Power	Max Leader Cable Length from LS6550 to first fitting	Feet of Linear luminaire per 48 V Power Supply				
		120 W	240 W	320 W	480 W	600 W
5 W/ft	50 ft / 15 m	20	44	56	80	96
	98 ft / 30 m	20	44	56	76	88
	164 ft / 50 m	20	40	52	64	72
7 W/ft	50 ft / 15 m	14	28	36	56	64
	98 ft / 30 m	14	28	36	48	56
	164 ft / 50 m	14	26	34	44	48

Values in the above table show the maximum circuit loading per 48 V circuit. Values are based on end to end spacing (ETE). Extended fixture cables, inclusion of jumper cables, or longer leader cable will effect loading. Circuits can be made up of up to 24 fixtures in any length, up to the maximum circuit loading in the table above. Circuits are limited to maximum 12.8A. For non-continuous runs, contact Lumascape for details. To calculate the maximum number of interconnected luminaires per run / circuit, see example below.



Control Resolution

Pixel Size	DMX Channel Allocation														
	RGBA / RGBW					Single Colour					Tunable White				
	1 ft	2 ft	3 ft	4 ft	5 ft	1 ft	2 ft	3 ft	4 ft	5 ft	1 ft	2 ft	3 ft	4 ft	5 ft
Full Fixture	4	4	4	4	4	1	1	1	1	1	2	2	2	2	2
12.0" / 300 mm	4	8	12	16	20	1	2	3	4	5	2	4	6	8	10
6.0" / 150 mm	8	16	24	32	40	2	4	6	8	10	4	8	12	16	20
3.0" / 75 mm	16	32	48	64	80	4	8	12	16	20	8	16	24	32	40
¾" / 19 mm	64	128	192	256	320	16	32	48	64	80	32	64	96	128	160

Extra channels required when enabling optional Advanced Control Modes.
 • Variable Dimming Smoothness Mode - requires 1 extra channel per luminaire
 • Variable Dimming Smoothness + Strobe Mode - requires 3 extra channels per luminaire

Connectorized Accessories - Low Voltage 30-48 Vdc

Leader Cables - PowerSync Extra Low Voltage (For Connection Type 63)

3-core 16 AWG / 1.5mm² for use in CE/CCC and UL installations. Compatible with all luminaires with Type 63 connectorized supply cable option. Supplied fitted with an IP68 connector for pairing with the first connectorized luminaire in a Powersync™4, Low Voltage circuit. Comes complete with a matching End of Circuit, Powersync™4, extra low voltage terminator plug.

LS6426		-	[]		[]	
↑			↑		↑	
Cable Type	Code	Cable Type	Code	Length	Code	
1.5 mm ²	LS6426	Non-Dimmable	ND	10' (3 m)	010	
		PowerSync	PS	16' (5 m)	016	
				50' (15 m)	050	
				66' (20 m)	066	
				98' (30 m)	098	

Jumper Cables - PowerSync Extra Low Voltage (For Connection Type 63)

3-core 16 AWG / 1.5 mm² for use in CE/CCC and UL installations. Compatible with all Luminaires with Type 63 connectorized supply cable option. Supplied fitted with IP68 connectors for joining between connectorized luminaires in a Powersync™4, extra low voltage circuit.

LS6427		-	[]		[]	
↑			↑		↑	
Cable Size	Code	Cable Type	Code	Length	Code	
1.5 mm ²	LS6427	Non-Dimmable	ND	1' (0.3 m)	001	
		PowerSync	PS	2' (0.6 m)	002	
				3' (1 m)	003	
				6' (2 m)	006	
				16' (5 m)	016	
				32' (10 m)	032	
				50' (15 m)	050	
				66' (20 m)	066	
				98' (30 m)	098	

Connectorized Accessories

Terminators

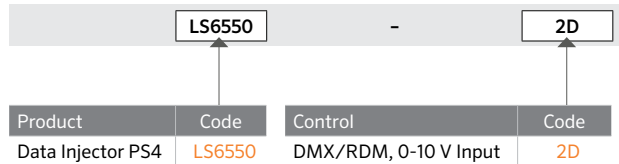
Product	Code
PowerSync™ Terminator Connectorized, Low Voltage 30 to 48 Vdc (CE, UL)	LS6447

* NOTE:

- DMX Terminators ship with PowerSync Data Injectors.
- Terminators for hardwired PowerSync installations ship with PowerSync Data Injectors.
- Terminators for connectorized PowerSync installations ship with Leader Cables.
- Order separately for spares only.

PowerSync Low Voltage 30 to 48 Vdc Data Injector

Translates control signals into a digital format, delivering integral power and data to intelligent LED luminaires. This allows highly-granular addressing and high-speed digital control of every luminaire, using only three wires. The data injector is DIN rail mountable designed to be installed in a switchboard, next to the power supply and circuit breaker that is supplying power to the controlled lighting circuit. Accepts a growing list of standard protocols (0-10 V, DMX/RDM) for simple integration with a wide selection of control systems using these industry standard protocols.



NOTE:

PowerSync Data Injector ships with three (3) hardwired terminators and one (1) hardwired DMX terminator.

Fixture Colors & Wiring Designations

Low Voltage

Designation	Color
+ DC	Red
- DC	Black
Data	Orange

