

A **START HERE** **IMPORTANT INSTRUCTIONS**
 For Installation LS393LED



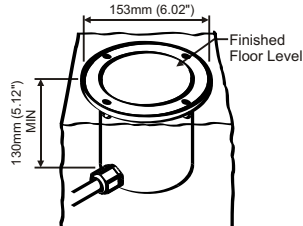
Lumascap USA Inc.
 1300 Industrial Rd., Unit #19
 San Carlos, CA 94070, USA
 T 1-(650)-595-LUMA(5862)
 F 1-(650)-595-5820
 E info@lumascap.com
 W www.lumascap.com



WARNING

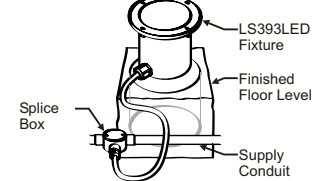
- Ensure Installation complies with local wiring rules
- The Luminaire should only be used complete with its protective shield (cover)
- **DO NOT SHORTEN, INTERFERE OR DISCONNECT CABLE FROM FITTING. WARRANTY WILL BE VOID IF CABLE ASSEMBLY IS TAMPERED WITH.**
- If cable is damaged replace with cable supplied by LUMASCAPE only.

1



Locate Fixtures
 Site fixture, in proximity to cabling, in gravel, soil or concrete.

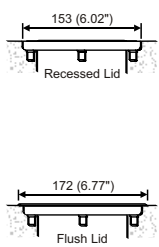
2



Connect direct burial splice box to supply conduit. Alternatively, if ordered with 1/2"NPT conduit adaptor connect ensuring watertight seal. **DO NOT EXCEED A TORQUE OF 0.8Nm ON SCREWS IN TERMINAL BLOCK**

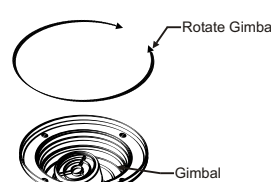
Warning: Overcurrent protection for the secondary circuit may be required at the low voltage transformer (if used), in accordance with NEC and local wiring regulations.

3



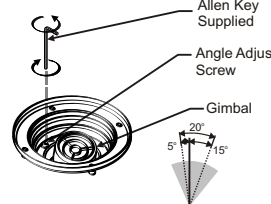
Mount Fixture
 Mount fixture with either top lip or bottom surface of flange, flush with finished floor level, as shown above.

4



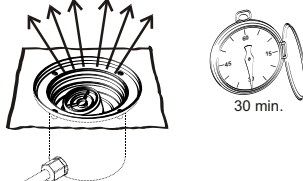
Adjust Rotational Alignment of Gimbal
 Aim the gimbal by pointing the small arrow at the target.

5



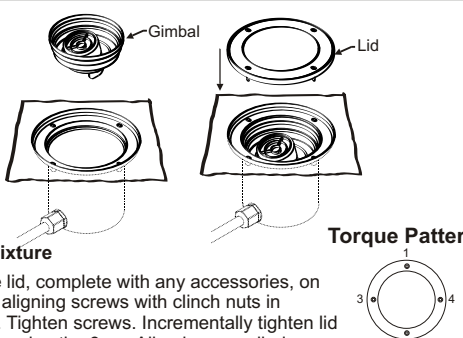
Adjust Angular Position of Light
 Aim the light at target by rotating the angle adjust screw with the Allen Key provided.
 The lamp has a maximum adjust of 15° toward the arrow and 5 degrees the other side of vertical.

6



Test Fixture
 Test to ensure fixture is operational.
 Allow to burn uncovered for 30 minutes in dry air to allow any moisture in fixture to evaporate.

8



Seal Fixture
 Locate lid, complete with any accessories, on fixture aligning screws with clinch nuts in flange. Tighten screws. Incrementally tighten lid screws using the 3mm Allen key supplied. Lumascap recommends tightening in the Torque Pattern shown.

DO NOT OVER TIGHTEN.

IMPORTANT
 - When Installing, the thermal cutout **MUST** remain positioned beneath the terminal block mounting bracket, within the LS393LED fixture.