

IMPORTANT INSTRUCTIONS

For installation of:
pre-installation and drive over kit LS698-K

IMPORTANT

- This product must only be installed by a licensed electrical worker. Please ensure that Installation complies with local authority standards.
- This fixture is suitable for wall, floor and in-grade mounting. Suitable for drive-over applications.

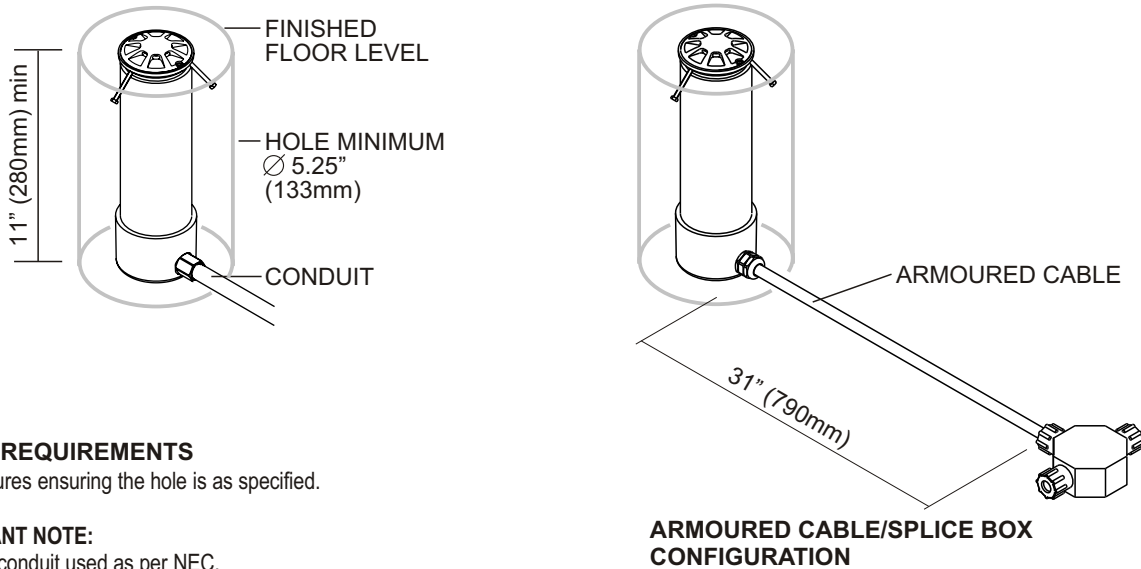


Lumascope USA Inc.
1300 Industrial Rd., Unit #19
San Carlos, CA 94070, USA
T 1-(650)-595-LUMA(5862)
F 1-(650)-595-5820
E info@lumascope.com
W www.lumascope.com

WARNING

DO NOT INTERFERE WITH OR DISCONNECT CABLE FROM FITTING. WARRANTY WILL BE VOID IF CABLE ASSEMBLY IS

1



SPACE REQUIREMENTS

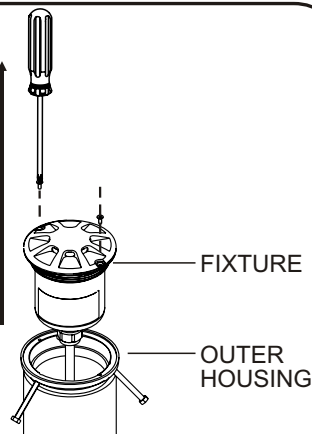
- Site fixtures ensuring the hole is as specified.

IMPORTANT NOTE:

Electrical conduit used as per NEC.

ARMoured CABLE/SPLICE BOX CONFIGURATION

2

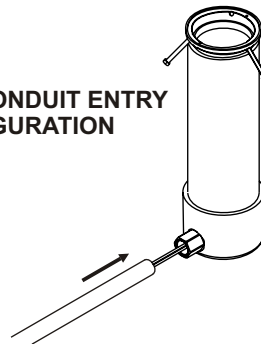


REMOVE FIXTURE FROM OUTER HOUSING

Remove the two screws from the lid of the fixture. Carefully pry the fixture from the brass collar and place in a safe location for future installation

3

FOR CONDUIT ENTRY CONFIGURATION ONLY



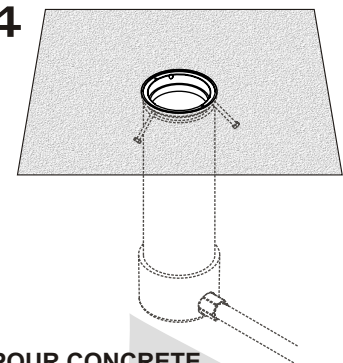
FIT CONDUIT AND PLACE FIXTURE

Feed cable from fixture through conduit. Screw conduit to outer housing and place fixture into hole.

IMPORTANT NOTE:

Electrical conduit used as per NEC.

4



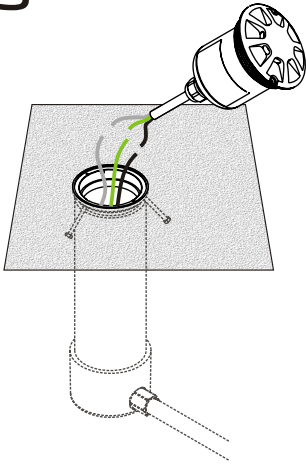
POUR CONCRETE

Ensure top of brass collar is at the finished floor level prior to pouring.

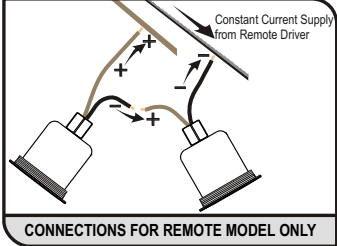
IMPORTANT NOTES:

Ensure that the collar is flush with the finished floor level
Ensure inside faces of brass collar remain clean from debris and concrete.

5



IMPORTANT NOTE FOR REMOTE DRIVER MODEL, (LS5X3-X-DXXXX):

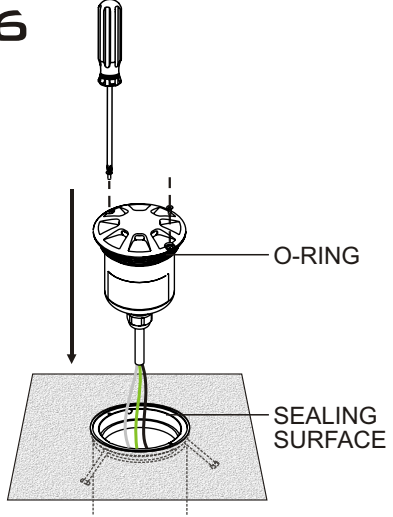


CONNECTIONS FOR REMOTE MODEL ONLY

Connections are in series.
 Ensure cable polarities are correct:
 Brown or Red (+) positive
 Black or Blue (-) negative
 Main lines must be a minimum of 4mm² if supplied connection devices are used.

TERMINATE FIXTURE
 Connect lead from the bottom of the fixture to the cable inside the outer housing.

6



FIT FIXTURE INTO HOUSING
 Check the brass collar and the o-ring on the fixture are clean and free from debris. Note there is a film of grease on the o-ring. If necessary replace with Molykote™ Valve and Oring Lubricant, or equivalent.

TECHNICAL DATA - REMOTE DRIVER, 350MA INPUT

Source: Luxeon LED 1 Watt
 Input: Remote LED driver 350mA constant current (see below for recommended drivers)

Remote LED Drivers		
Part Number	Description	Application
LS783	DRIVER LED 350mA 40W	Remote supply for 4 to 6 fittings
LS784	DRIVER LED 550mA 20W	Remote supply for 6 to 9 fittings

TECHNICAL DATA - LINE VOLTAGE INPUT

Source: Luxeon LED 1 Watt
 Input: 100-240V AC, 50/60Hz

WARNING
 The correct power supply must be used in conjunction with the Luxeon LED light sources. This will ensure the maximum life of the LED light source.