

INSTALLATION INSTRUCTIONS

WALL MOUNT
MODEL: LS9406LED
INSTRUCTIONS COVER: 12 V AC or 24 V DC Dimmable



LS9406LED: Vedita

Warranty void if not installed per instructions and local electrical code

Note: Fixture uses intelligent driver. Always leave on for 20 seconds unless programming.

WARNING

It is strongly recommended to use Lumascope transformer

Opening luminaire will void warranty

Install in accordance with National Electric Code, ANSI/NFPA 70 or the Canadian Electrical Code, Part I (CEC), CSA C22.1

Never use electronic transformers with LED luminaires

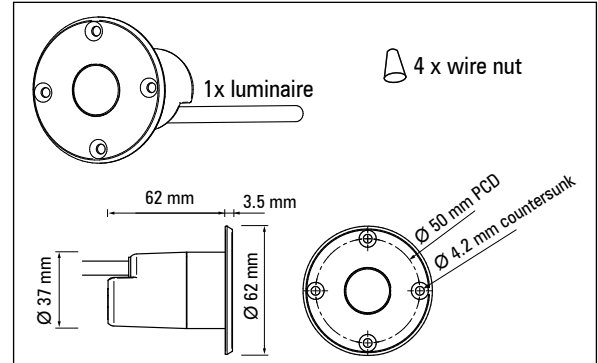
CAUTION

It is strongly recommended to use Lumascope power supply or transformer

Use of electronic transformer will permanently damage luminaire

All connections must be kept dry; failure to do so may result in product reliability issues

Opening luminaire will void warranty



- Use a Lumascope supplied 24 V DC ripple free power supply or Lumascope magnetic transformer, locate centrally in relation to the luminaires. **NOTE:** Generally 24 V DC ripple free power supplies should be installed in a well ventilated fully under cover environment. **NOTE:** DC Power supplies are more efficient than AC transformers. Under no circumstances can an 'electronic' transformer be used, this may damage the product.

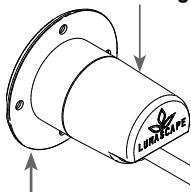
Mark actual locations of luminaires to be installed. Using the charts overleaf calculate the cable size on each run including all luminaires to be connected to a run of cable. Use the same chart to select power supply.

- Calculate the distances and use the attached table to calculate sizes and Power Supply sizes. **NOTE:** If dimming is required 4 wires must be run. 1 mm cable is adequate for the dimming signal. **NOTE:** Standard cable is 8 m long and may be extended or shortened as required. Any joint must be watertight or warranty will be void.

- Connect the luminaire cable to the supply cable using the wire nuts supplied. The luminaire cable may need to be trimmed to length as it is supplied standard at 8 metres in length. Full length of luminaire cable can be used if required. Keep any joints dry. **NOTE:** The orange and grey wires are for optional pwm digital dimming using 0-10 V. Lumascope accessory LS6125 is required. If dimming is not required, do not connect these wires. In any case ensure they are kept dry.

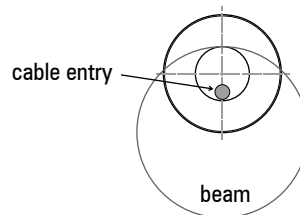
IMPORTANT

Plastic component is NOT load bearing.

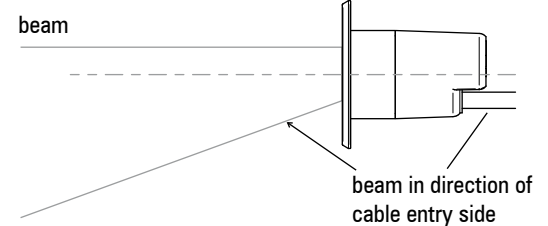


Product is designed to be supported by flange

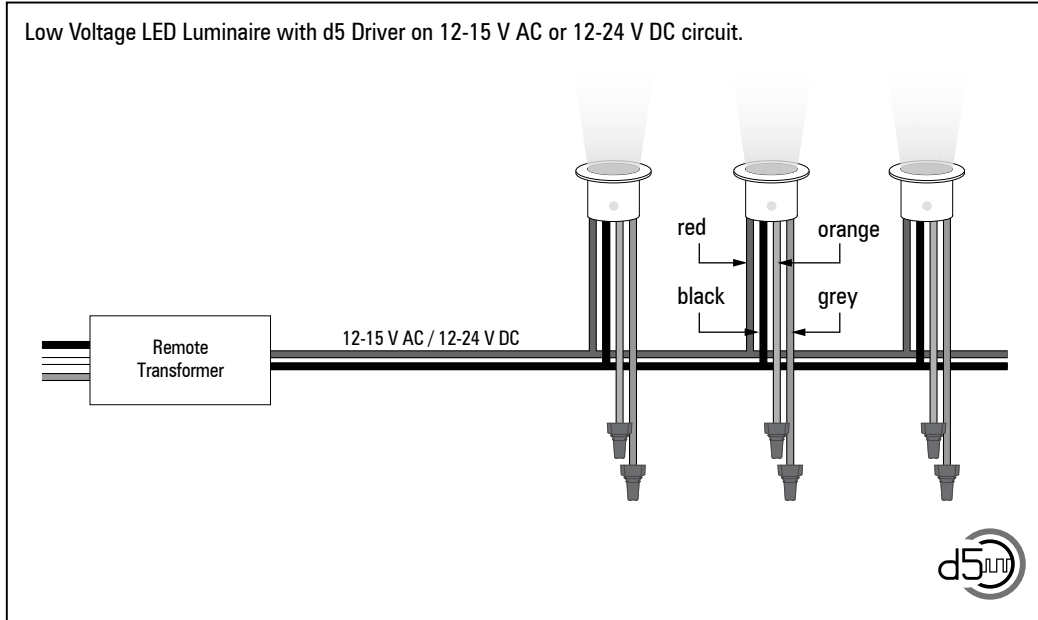
When luminaire (e.g. LS9406LED-#-W) is fitted with a wall wash option, it will direct the beam towards the cable entry side of the luminaire. Align with cable entry side towards target.



Aiming Example: to direct the beam to wards the floor, in a wall mount application. The cable entry should be at the bottom.



Wiring for Non-Dimming Installations



NOTE: The above diagram is intended to show electrical pathways between luminaires and ancillary devices. This diagram is not intended to show type or color of cord/wire, wire gauge or approved use of the cord/wire supplied with luminaires.

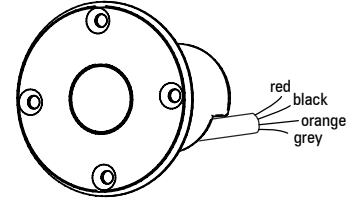
Consult the luminaire-specific cutsheet or the factory for detailed specifications.

IMPORTANT: For instructions on how to fine tune the brightness of the luminaire, refer to instruction sheet IN0059US "How to adjust the brightness for your d5 equipped luminaire". Please note, this capability only applies for luminaires not connected to any other control signal.

Wiring Polarity

red	V+
black	V-
orange	DIM+ (connection optional)
grey	DIM- (connection optional)

NOTE: Connect dimming wires only if needed. Otherwise isolate.



Cord 20 gauge (0.5 mm²)

Wiring for Dimming Configurations

Please refer to the appropriate wiring diagram for information on required system components and connectors.

Dimmable Wiring Diagram Reference

Input Voltage	LED Color	Control Type	Wiring Diagram
13-DIM	Single Color	PWM	2,3,4

Should you experience any difficulty, please contact Lumascope directly: phone (866) 695-5862 or email info@lumascope.com

IF IN DOUBT, PLEASE CALL

www.lumascope.com