

INSTALLATION INSTRUCTIONS

SUBMERSIBLE

MODEL: LS9405LED

INPUT VOLTAGE: 12-15 V AC 60 Hz, 12-24 V DC

Do not install in swimming pools or spas



LS9405LED

Warranty void if not installed per instructions and local electrical code

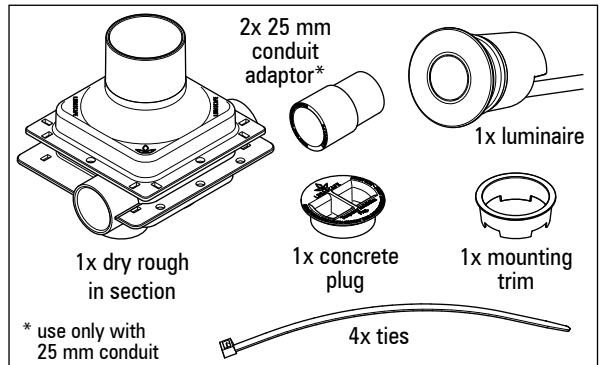
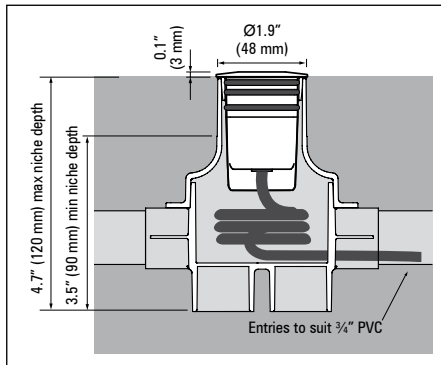
Note: Fixture uses intelligent driver. Always leave on for 20 seconds unless programming.

WARNING

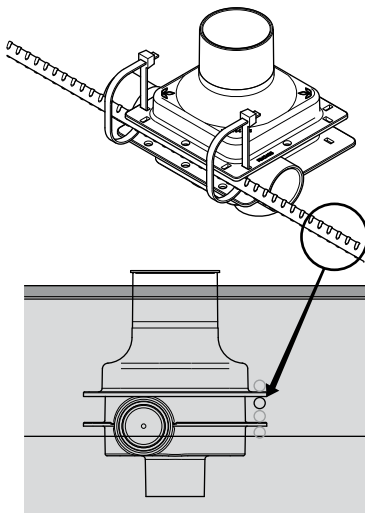
It is strongly recommended to use Lumascope transformer

Opening luminaire will void warranty

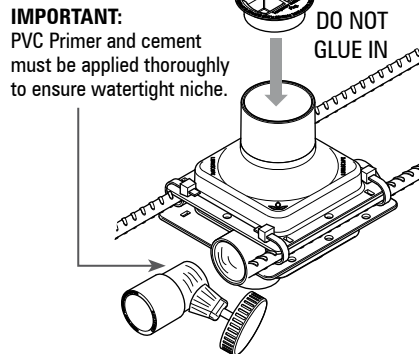
Install in accordance with National Electric Code, ANSI/NFPA 70 or the Canadian Electrical Code, Part I (CEC), CSA C22.1



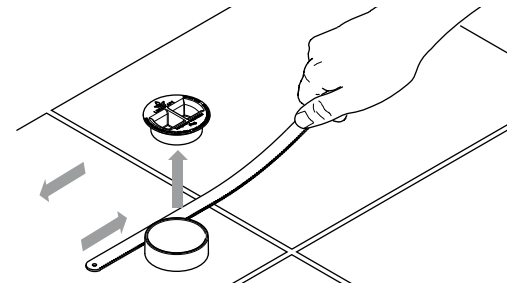
1. Using ties supplied, or alternative suitable tie wire, attach rough in section to reinforcing steel in locations as required. Check mounting height with finished level. Note the rough in section may be trimmed to small step in throat. Knock out conduit entries as required.



2. **IMPORTANT:** If using 3/4 inch Conduit, do not use the conduit adapters supplied. These are for 25 mm metric size conduit only. Using PVC primer and cement, fix the conduit into the niche. Include a draw wire within the conduit if needed. DO NOT MAKE TERMINATION INSIDE NICHE. Insert concrete plug fully into niche throat. DO NOT GLUE IN.

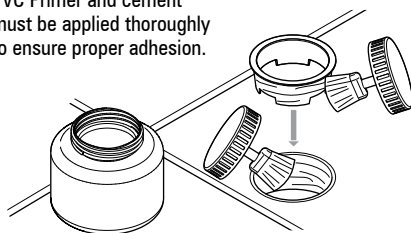


3. Once finish grade is completely installed, (including tiling, or any other finishing), trim protruding throat flush to surface. Remove any burrs from inside the cut edge.



4. Using PVC Primer and cement, glue mounting trim. Ensure trim sits flush with finished surface. Allow to fully cure as recommended by PVC cement suppliers instructions (typically 24 hours).

IMPORTANT: PVC Primer and cement must be applied thoroughly to ensure proper adhesion.

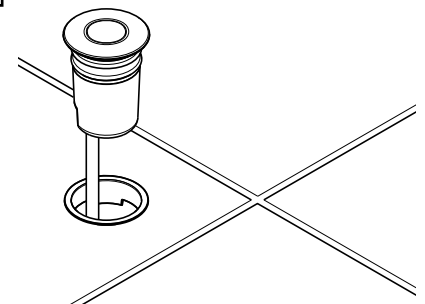


5. Connect the luminaire to the supply. Any joint must be dry and water tight or warranty will be void.

NOTE: The orange and grey wires are for optional PWM digital dimming using 0-10 V.

If dimming is not required, do not connect the orange and grey wires. In all cases they are to be sealed and kept dry. Failure to do so may result in the intelligent driver dimming the luminaire due to a voltage differential between the two conductors.

6. Press LS9405LED fully into niche.

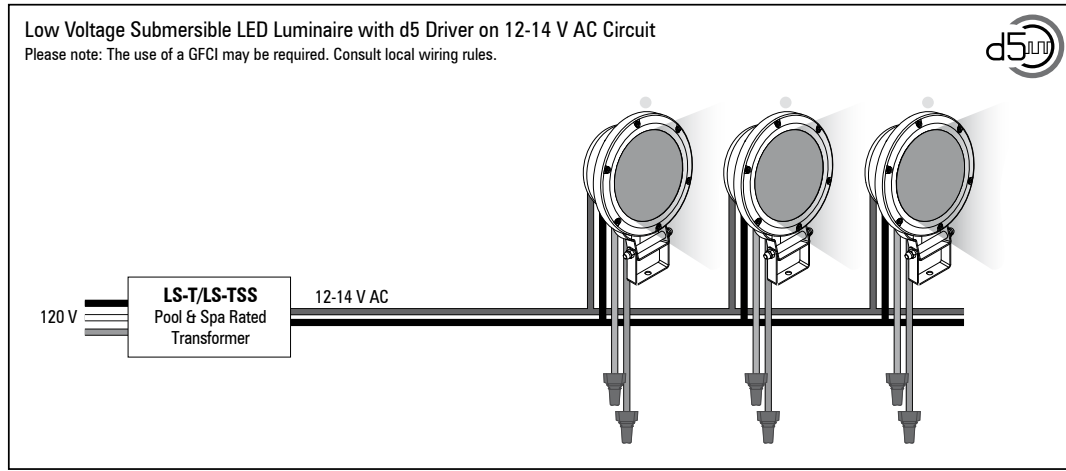


Should you experience any difficulty, please contact Lumascope directly: phone (866) 695-5862 or email info@lumascope.com

IF IN DOUBT, PLEASE CALL

www.lumascope.com

Wiring for Non-Dimming Installations



NOTE: The above diagram is intended to show electrical pathways between luminaires and ancillary devices. This diagram is not intended to show type or color of cord/wire, wire gauge or approved use of the cord/wire supplied with luminaires.

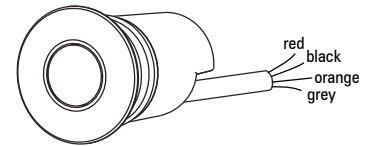
Consult the luminaire-specific cutsheet or the factory for detailed specifications.

IMPORTANT: For instructions on how to fine tune the brightness of the luminaire, refer to instruction sheet IN0059US "How to adjust the brightness for your d5 equipped luminaire". Please note, this capability only applies for luminaires not connected to any other control signal.

Wiring Polarity

red	V +
black	V -
orange	DIM + (connection optional)
grey	DIM - (connection optional)

NOTE: Connect dimming wires only if needed. Otherwise isolate.



Cord 20 gauge (0.5 mm²)

Wiring for Dimming Configurations

Please refer to the appropriate wiring diagram for information on required system components and connectors.

Dimmable Wiring Diagram Reference

Input Voltage	LED Color	Control Type	Wiring Diagram
13-DIM	Single Color	PWM	5

Should you experience any difficulty, please contact Lumascope directly: phone (866) 695-5862 or email info@lumascope.com

IF IN DOUBT, PLEASE CALL

www.lumascope.com